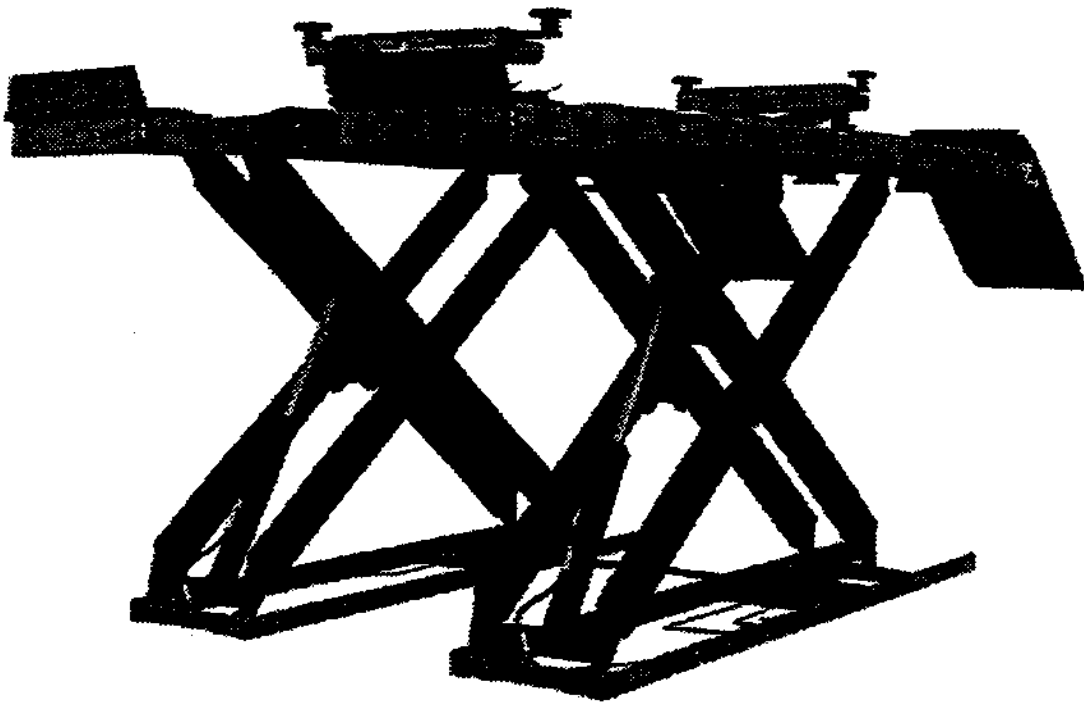


WHEELTRON

EELR113A

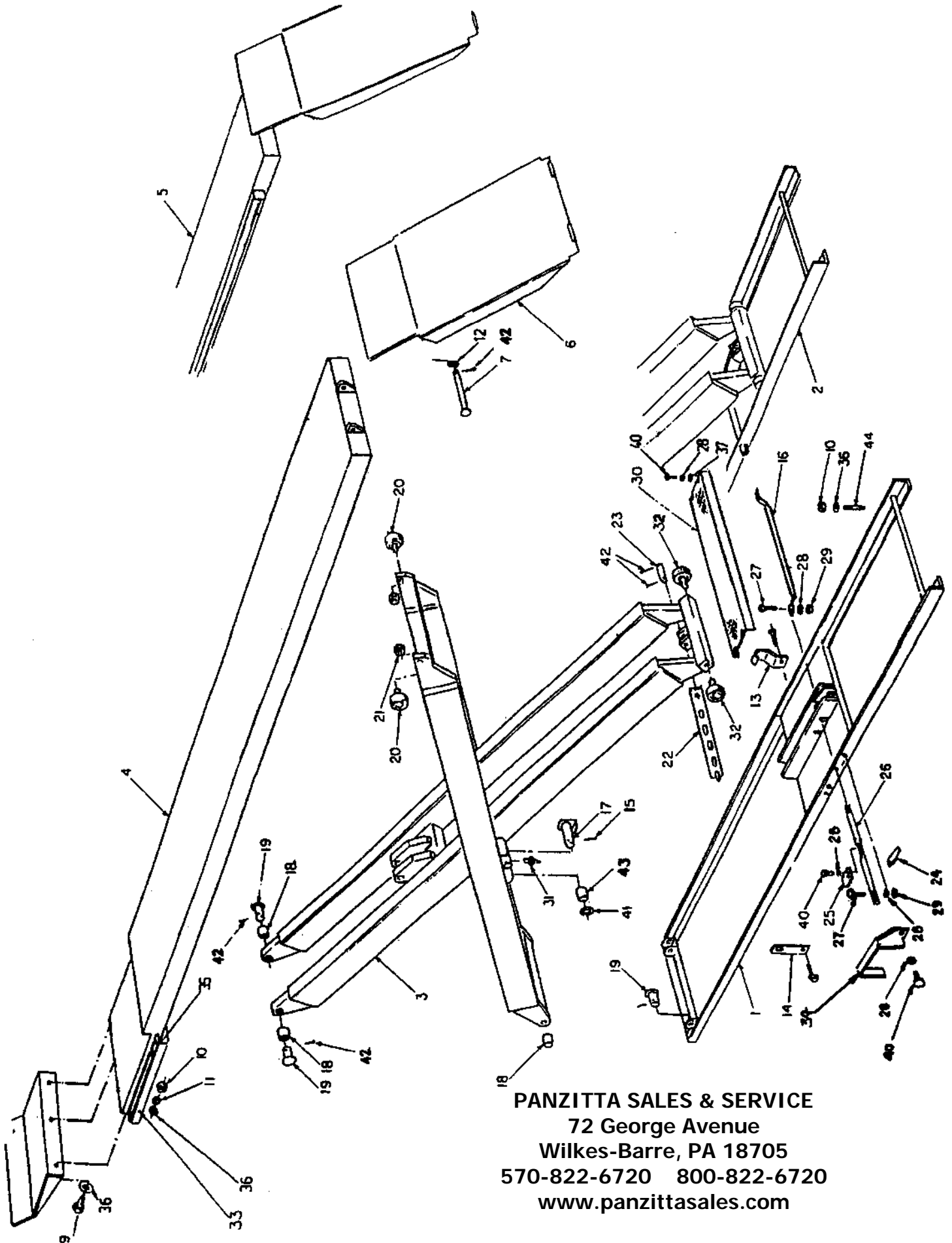
EELR114A



PANZITTA SALES & SERVICE
72 George Avenue
Wilkes-Barre, PA 18705
570-822-6720 800-822-6720
www.panzittasales.com

PARTS MANUAL

WHEELTRON ASSEMBLY



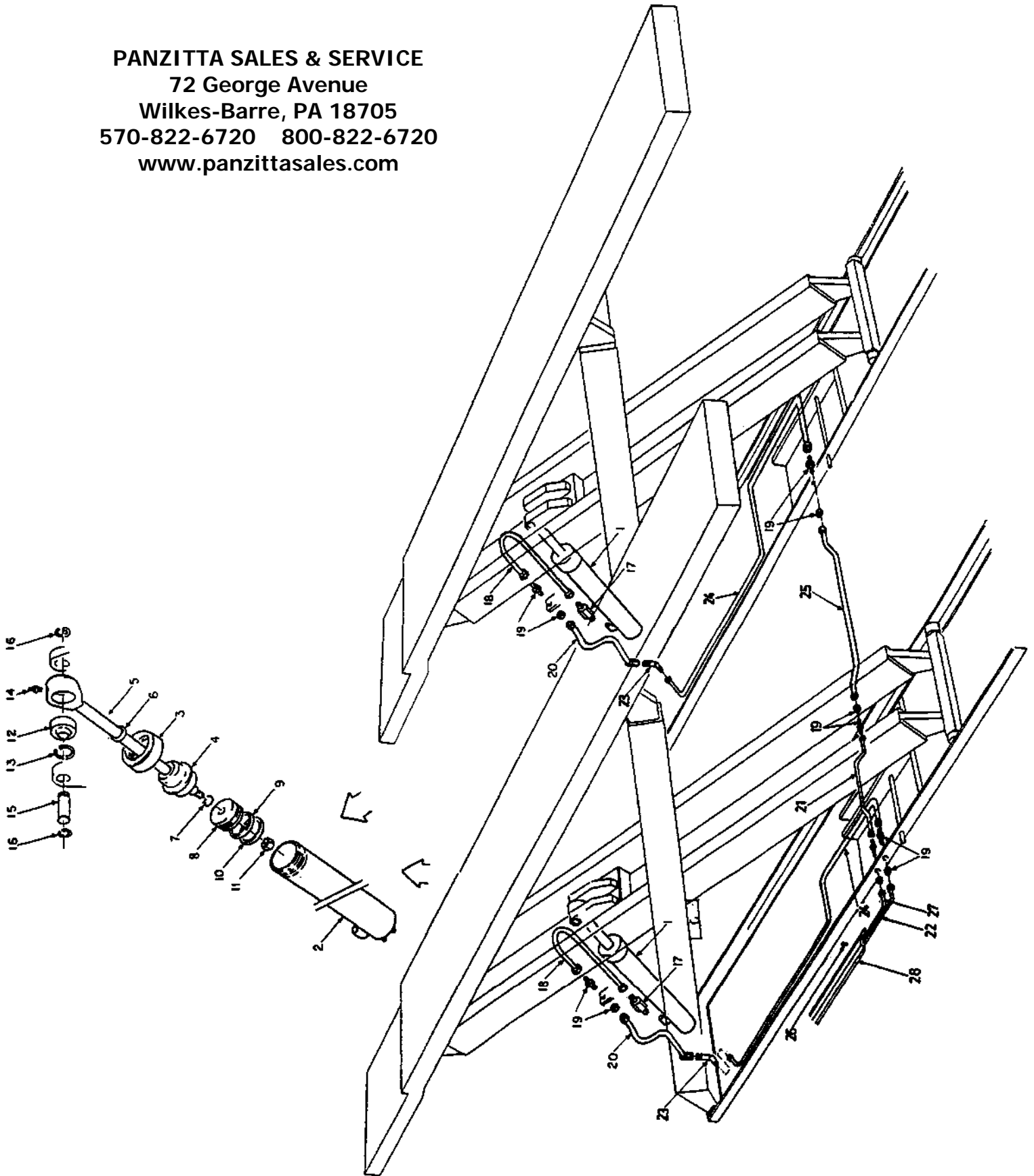
PANZITTA SALES & SERVICE
72 George Avenue
Wilkes-Barre, PA 18705
570-822-6720 800-822-6720
www.panzittasales.com

WHEELTRON - PART LIST

ITEM	QTY.	DESCRIPTION	PART #
1	1	BASE FRAME WELDMENT, LEFT SIDE	4-0112
2	1	BASE FRAME WELDMENT, RIGHT SIDE	4-0113
3	2	SCISSOR WELDMENT	4-0002
4	1	ALIGNMENT DECK, LEFT SIDE (144"W/B)	4-0379
	1	ALIGNMENT DECK, LEFT SIDE (172"W/B)	4-0415
5	1	ALIGNMENT DECK, RIGHT SIDE (144"W/B)	4-0380
	1	ALIGNMENT DECK, RIGHT SIDE (172"W/B)	4-0416
6	2	APPROACH RAMP	3-0285
7	2	RAMP PIN	1-0095
8	2	FRONT WHEEL STOP	2-0851
9	6	HEX BOLT, 1/2" - 13UNC X 1 1/2"LG.	6-0291
10	18	HEX NUT, 1/2" - 13UNC	6-0035
11	6	LOCK WASHER, 1/2" I.D.	6-0059
12	2	51/64" I.D. X 1" O.D. X 1/8" THK. FLAT WASHER	6-0808
13	2	SHIPPING BRACKET	2-0112
14	2	FLAT SHIPPING BRACKET	2-0266
15	4	SPRING PIN, 3/16" X 2" LG.	6-0146
16	1	SAFETY RELEASE CONNECTING ROD	2-0071
17	4	FULCRUM PIN, 1 1/4" DIA.	1-0106
18	8	BUSHING, 1" I.D.	6-0085
19	8	END HINGE PIN, 1" DIA.	1-0107
20	4	CAM FOLLOWER	6-0637
21	4	JAM NUT, 5/8" - 18UNF	6-0040
22	2	SAFETY BAR WELDMENT	2-0405
23	2	SAFETY PIN	1-0547
24	2	SAFETY PEDAL	2-0194
25	2	SAFETY RELEASE TAB	1-0189
26	2	SAFETY RELEASE ROD	2-0069
27	6	HEX BOLT, 1/2" - 20UNC X 1 1/4" LG.	6-0027
28	18	LOCK WASHER, 1/2" I.D.	6-0056
29	6	HEX NUT, 1/2" - 20UNC	6-0032
30	1	CENTER COVER	3-0365
31	4	GREASE NIPPLE	6-0000
32	4	CAM FOLLOWER	6-0077
33	2	PULL OUT STEP ASSEMBLY	2-0362
34	2	TOE GUARD	1-0086
35	2	SAFETY WALK TAPE	1-0749
36	24	PLAIN WASHER, 1/2" I.D.	6-0063
37	4	FLATWASHER, 1/2" I.D.	6-0060
40	12	HEX BOLT, 1/4" - 20UNC X 3/4" LG.	6-0178
41	4	WASHER	1-0140
42	14	COTTER PIN, 1/8" X 2" LG.	6-0115
43	4	BUSHING, 1 1/4" I.D.	6-0084
44	12	WEDGE ANCHOR, 1/2" X 4 1/2" LG.	6-0140

WHEELTRON HYDRAULICS

PANZITTA SALES & SERVICE
72 George Avenue
Wilkes-Barre, PA 18705
570-822-6720 800-822-6720
www.panzittasales.com



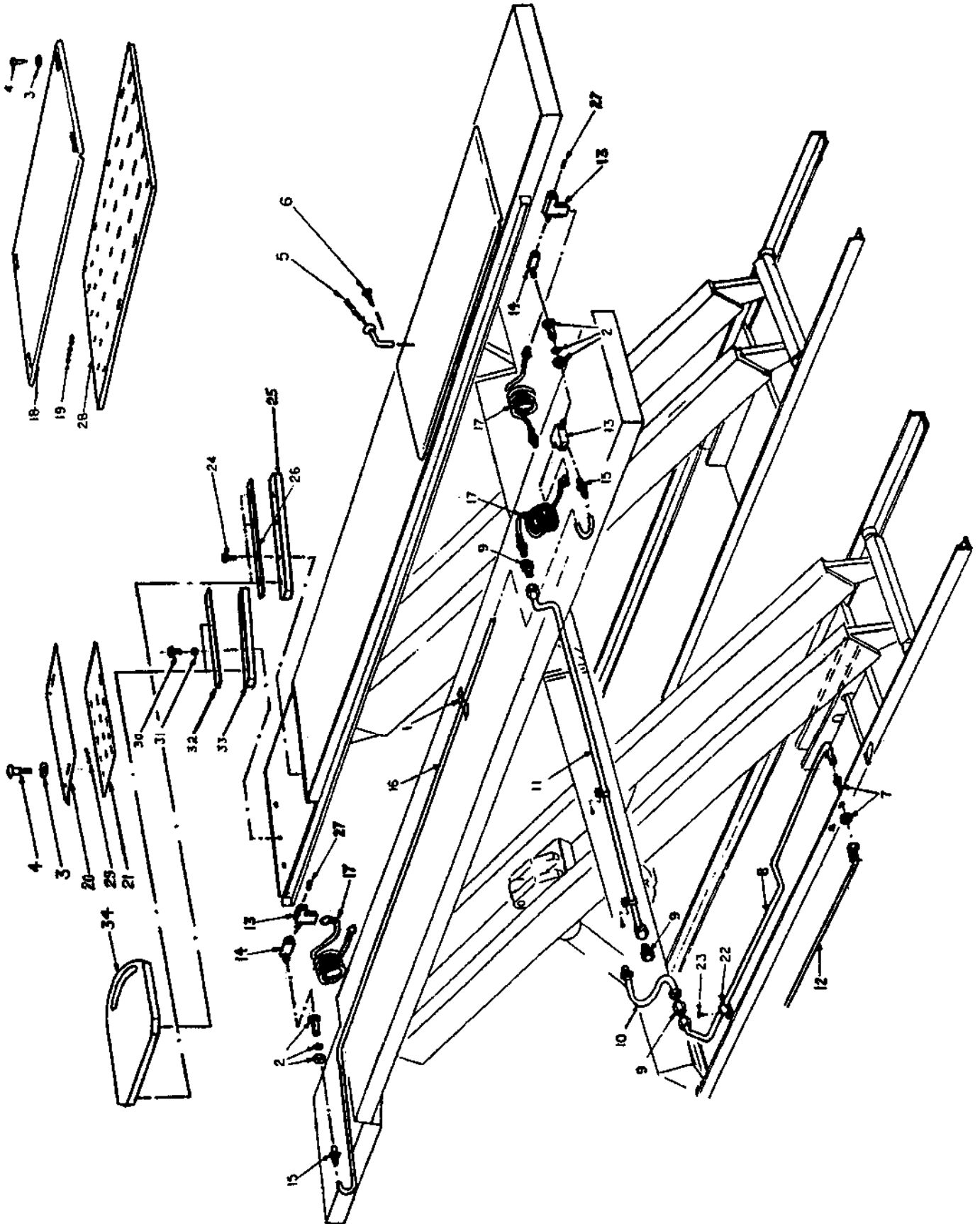
WHEELTRON - HYDRAULICS PART LIST

ITEM	QTY.	DESCRIPTION	PART #
1	2	HYDRAULIC CYLINDER	3-0000
1-2	1	TUBE WELDMENT	2-0000
1-3	1	NUT GLAND	1-0011
1-4	1	GLAND	1-0008
1-5	1	ROD WELDMENT	2-0001
1-6*	1	WIPER RING	6-0001
1-7*	1	'O' RING	6-0002
1-8	1	PISTON	1-0007
1-9*	1	SEAL RING	6-0003
1-10*	1	WEAR RING	6-0004
1-11	1	NYLON INSERT LOCK NUT, 7/8"-14UNF	6-0005
1-12	1	BEARING	6-0007
1-13	1	RETAINING RING	6-0070
1-14	1	GREASE NIPPLE	6-0000
15	2	PIN	1-0029
16	4	RETAINING RING	6-0340
17	2	VELOCITY FUSE	6-0025
18	2	TUBE ASSEMBLY, CYLINDER	1-0093
19	6	BULKHEAD, CONNECTOR 3/8"JIC C/W JAM NUT	6-0013
20	2	HOSE ASSEMBLY	2-0624
21	1	TUBE ASSEMBLY	2-0848
22	1	HYDRAULIC HOSE ASSEMBLY	2-1050
23	2	BULKHEAD, 90° ELBOW 3/8"JIC M C/W JAM NUT	6-0012
24	2	TUBE ASSEMBLY	2-0849
25	1	TUBE ASSEMBLY	2-0065
26	20	CONCRETE NAIL, 1/4" x 1"	6-0141
27	1	HYDRAULIC HOSE ASSEMBLY	2-1049
28	5	LINE COVER	2-1104

*HYDRAULIC CYLINDER SEAL KIT PART # 0-0007

PANZITTA SALES & SERVICE
72 George Avenue
Wilkes-Barre, PA 18705
570-822-6720 800-822-6720
www.panzittasales.com

WHEELTRON OPTIONS

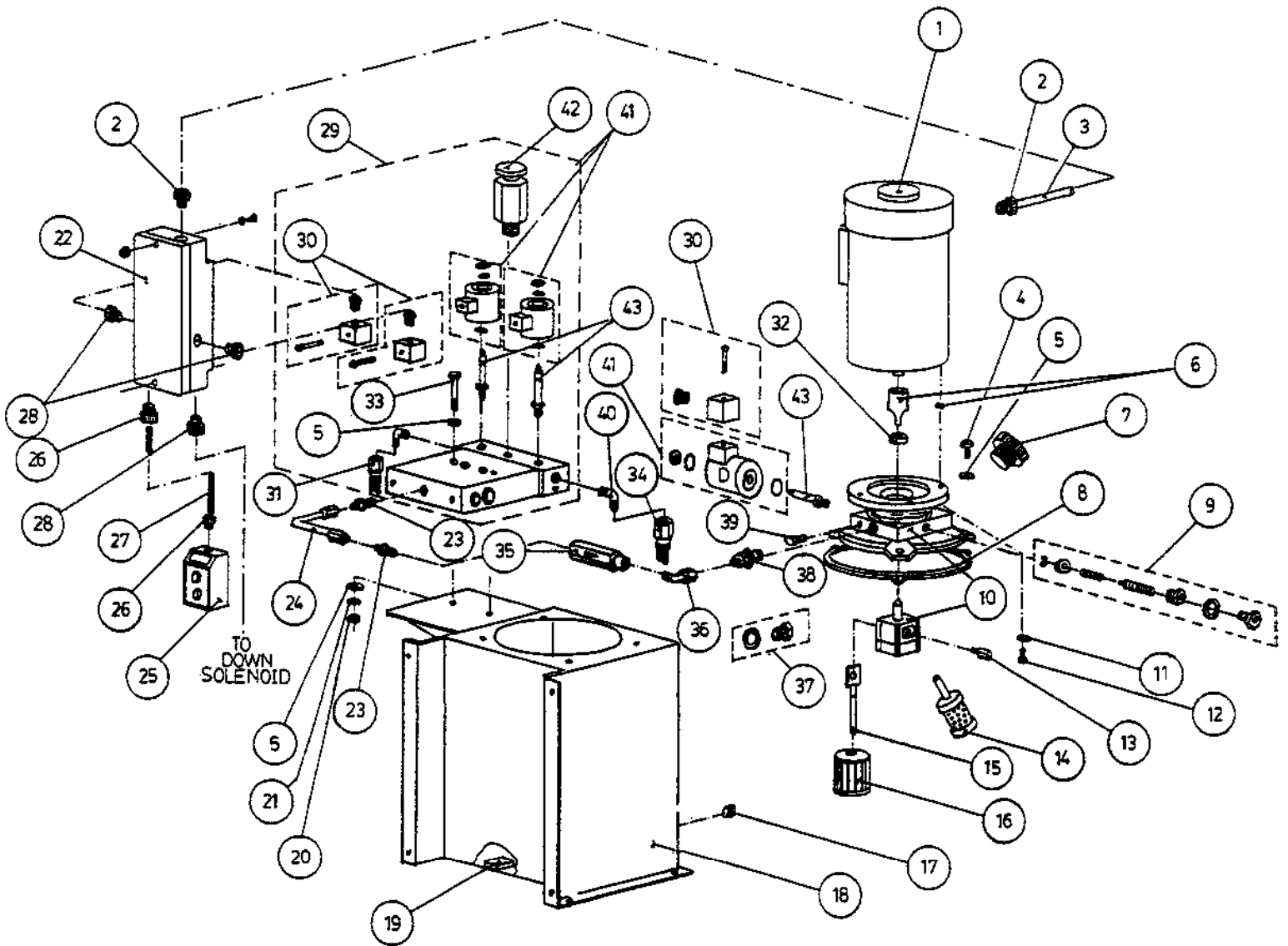


WHEELTRON - OPTIONS PART LIST

ITEM	QTY.	DESCRIPTION	PART #
1	5	FRAME CLIP	6-0500
2	2	TERMINAL BOLT, 3/4"-16mm W/1/4 NPT F	6-0167
3	12	FLAT WASHER	6-0426
4	12	SHOULDER BOLT, 3/8" X 5/8"LG.	6-0069
5	8	LOCKING PIN ASSEMBLY	2-0637
6	8	SELF TAP SCREW #10 X 1/2"LG.	6-0505
7	1	BULKHEAD, CONNECTOR 3/8"JIC C/W JAM NUT	6-0013
8	1	TUBE ASSEMBLY	3-0017
9	3	ADAPTER, 3/8"JIC M TO 1/4"NPT F	6-0118
10	1	HOSE ASSEMBLY	1-0119
11	1	TUBE ASSEMBLY	2-0062
12	1	3/8"DIA. PVC BRAIDED HOSE, 22'LG. (C/W FITTINGS)	6-1345
13	3	STREET TEE 1/4"NPT	6-0014
14	2	STREET ELBOW	6-0015
15	2	POLYTUBE STRAIGHT ADAPTER, 3/8" X 1/4"NPT	6-0710
16	1	HOSE 144"W/B	1-0120
17	3	12' COILED HOSE	6-0337
18	2	REAR SLIP PLATE WELDMENT	3-0197
19	1 SET (225)	BALL BEARING, 1/4"DIA.	6-0829
20	2	FRONT POSITIONING PLATE WELDMENT	2-0841
21	2	FRONT BEARING CAGE	1-1070
22	4	TUBE CLAMP	6-0170
23	4	SELF TAP SCREW, #10 X 3/8"LG.	6-0169
24	8	FLAT HEAD SCREW, 1/4"-20UNC X 1"LG.	6-1099
25	2	SPACER BAR	2-0843
26	2	RETAINING BAR	2-0844
27	2	PLUG, 1/4"NPT	6-0282
28	2	REAR BEARING CAGE	3-0196
29	1 SET (70)	BALL BEARING, 1/4" DIA.	6-0829
30	6	HEX HD. BOLT, 1/4"-20UNC X 1 1/4"LG.	6-0027
31	6	LOCKWASHER, 1/4"LD.	6-0056
32	2	RETAINING BAR	2-0635
33	2	SPACER BAR	2-0636
34	2	WHEELTRON TURNPLATE	4-0375

PANZITTA SALES & SERVICE
 72 George Avenue
 Wilkes-Barre, PA 18705
 570-822-6720 800-822-6720
www.panzittasales.com

WHEELTRON POWER PACK

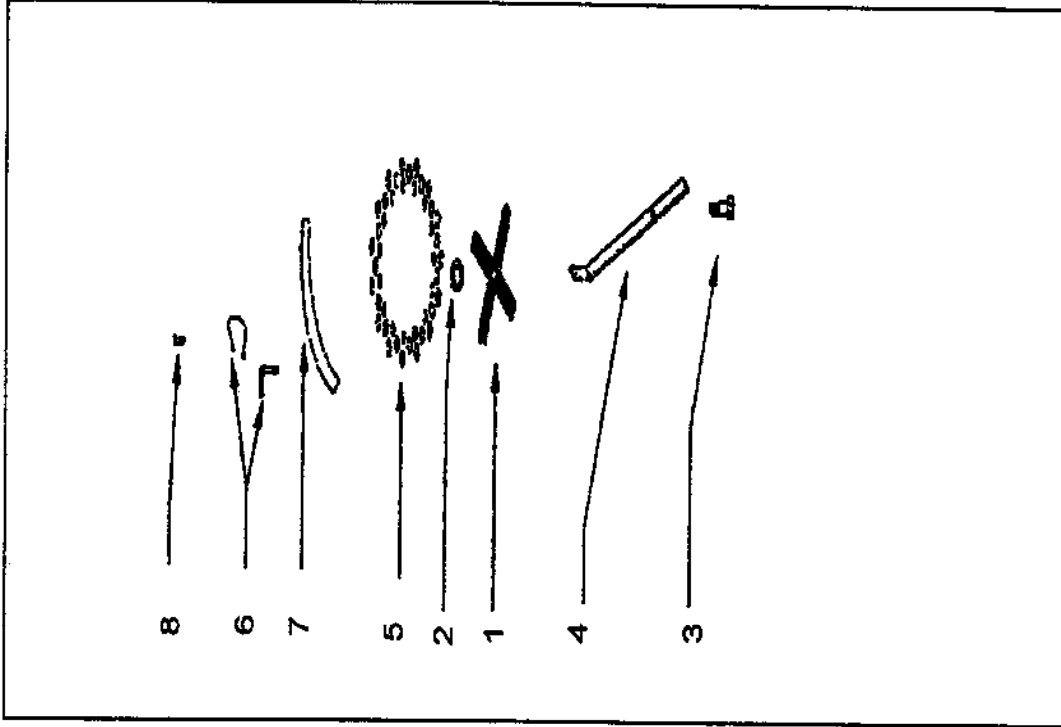


WHEELTRON POWER PACK PART LIST

ITEM	QTY.	DESCRIPTION	PART #
1	1	MOTOR, 220V/1PH	6-0087
	1	MOTOR, 208V/3PH	6-0446
	1	MOTOR, 550V/3PH	6-0447
2	2	STRAIN RELIEF CONNECTOR, 1/2"	6-0094
3	1	MOTOR CABLE	1-0104
4	4	HEX HD. BOLT, 1/2"-20UNC X 1"LG.	6-0901
5	8	FLATWASHER, 1/2" I.D.	6-0060
6	1	SHAFT ADAPTER W/SETSCREW	6-0429
7	1	FILLER CAP	6-0099
8	1	RUBBER GASKET	1-0225
9	1	PRESSURE RELIEF VALVE	6-0431
10	1	PUMP ASS'Y (WITH PUMP, BLOCK, FRINGE)	6-0433
11	4	LOCKWASHER, 3/8" I.D.	6-0058
12	4	HEX HD. BOLT, 3/8"-16UNC X 1"LG.	6-0067
13	1	PRESSURE TIME DELAY VALVE	6-0144
14	1	OIL FILTER	6-0097
15	1	FLANGE & PIPE FOR STRAINER	6-0428
16	1	STRAINER	6-0434
17	1	PLUG, 3/8"NPT	6-0102
18	1	OIL RESERVOIR	4-0146
19	1	MAGNET	6-0405
20	2	HEX NUT, 1/2"-20UNC	6-0032
21	2	LOCKWASHER, 1/4" I.D.	6-0056
22	1	CONTACTOR MOTOR STARTER, 220V/1PH	6-0095
	1	CONTACTOR MOTOR STARTER, 208V/3PH	6-0448
	1	CONTACTOR MOTOR STARTER, 550V/3PH	6-0449
23	2	ADAPTER, 3/8"NPT M TO 3/8"JIC M	6-0011
24	1	TUBE ELBOW	1-0102
25	1	REMOTE HAND CONTROL	6-0096
26	2	STRAIN RELIEF CONNECTOR, 3/8"	6-0093
27	1	REMOTE CONTROL CABLE	1-0103
28	3	STRAIN RELIEF CONNECTOR, 1/4"	6-0092
29	1	FLOW DIVIDER ASSEMBLY	6-0995
30	3	SOLENOID ELECTRICAL PLUG	6-0091
31	1	HYDRAULIC HOSE ASSEMBLY	2-1049
32	1	COUPLING	6-0430
33	2	HEX HD. BOLT, 1/2"-20UNC X 2 3/4"LG.	6-0648
34	1	HYDRAULIC HOSE ASSEMBLY	2-1050
35	1	FLOW CONTROL	6-0090
36	1	90° ELBOW, 3/8"JIC F TO 3/8"NPT M	6-1294
37	1	OIL LEVEL SIGHT PLUG	6-0517
38	1	ADAPTER, 14mm "O" RING TO 3/8"JIC M	6-0020
39	1	PLUG	6-0089
40	2	ELBOW 90°, 1/2"NPT M TO 3/8"JIC M	6-0274
41	3	SOLENOID	6-0100
42	1	SPOOL VALVE (MANUAL EQUILIZATION)	6-1261
43	3	SOLENOID VALVE SPOOL	6-0101

**WHEELTRONIC LTD.
MODEL 036 TURNABLE KIT
PART # 00408**

ITEM	PART #	QTY.	DESCRIPTION
1	10893	8	Tension spring
2	60663	2	Internal lock teeth washer 5/8"
3	11028	2	Center belt
4	20633	2	Indicator
5	90184	2	9/16" Solid derlin balls (kit of 30)
6	20637	4	Locking pin assembly
7	30366	2	Top plate marker
8	60815	4	#10 -24 UNC Blinder HD. Screw



PANZITTA SALES & SERVICE
72 George Avenue
Wilkes-Barre, PA 18705
570-822-6720 800-822-6720
www.panzittasales.com