



PANZITTA SALES & SERVICE  
72 George Avenue  
Wilkes-Barre, PA 18705  
570-822-6720 800-822-6720  
www.panzittasales.com

## AIR-HYDRAULIC SLIDING JACKBEAM 6000 lbs.



### INSTALLATION AND OPERATION MANUAL

---

SAVE ALL INSTRUCTIONS  
READ ALL INSTRUCTIONS

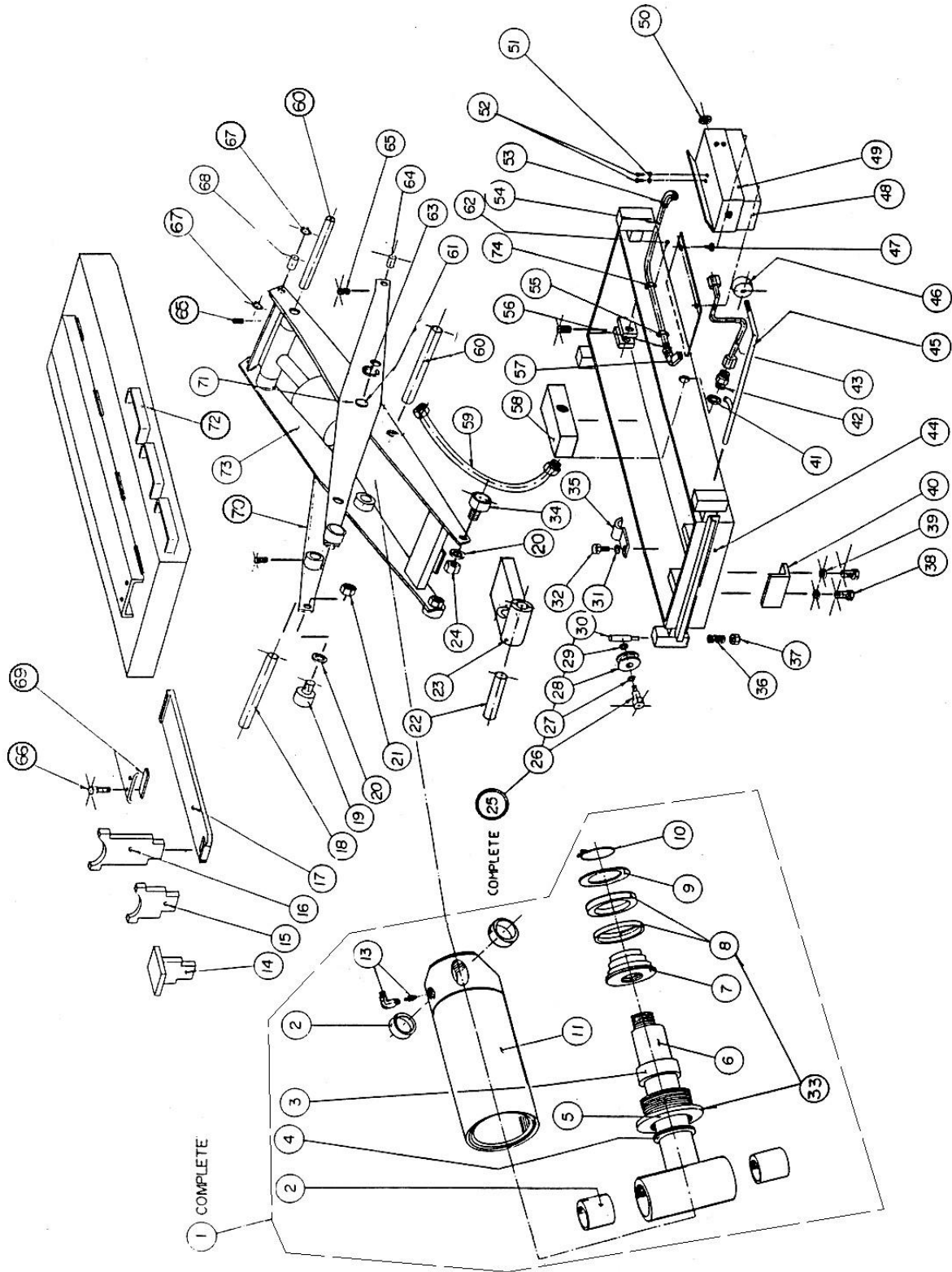


65000 Millcreek Drive, Mississauga, Ontario, L5N 2W6  
Tel: (905) 826-8600  
Fax: (905) 826-7800

MAY 2004 6-1073

# JACKING BEAM ASSEMBLY 6000 LBS.

PANZITTA SALES & SERVICE  
72 George Avenue  
Wilkes-Barre, PA 18705  
570-822-6720 800-822-6720  
www.panzittasales.com



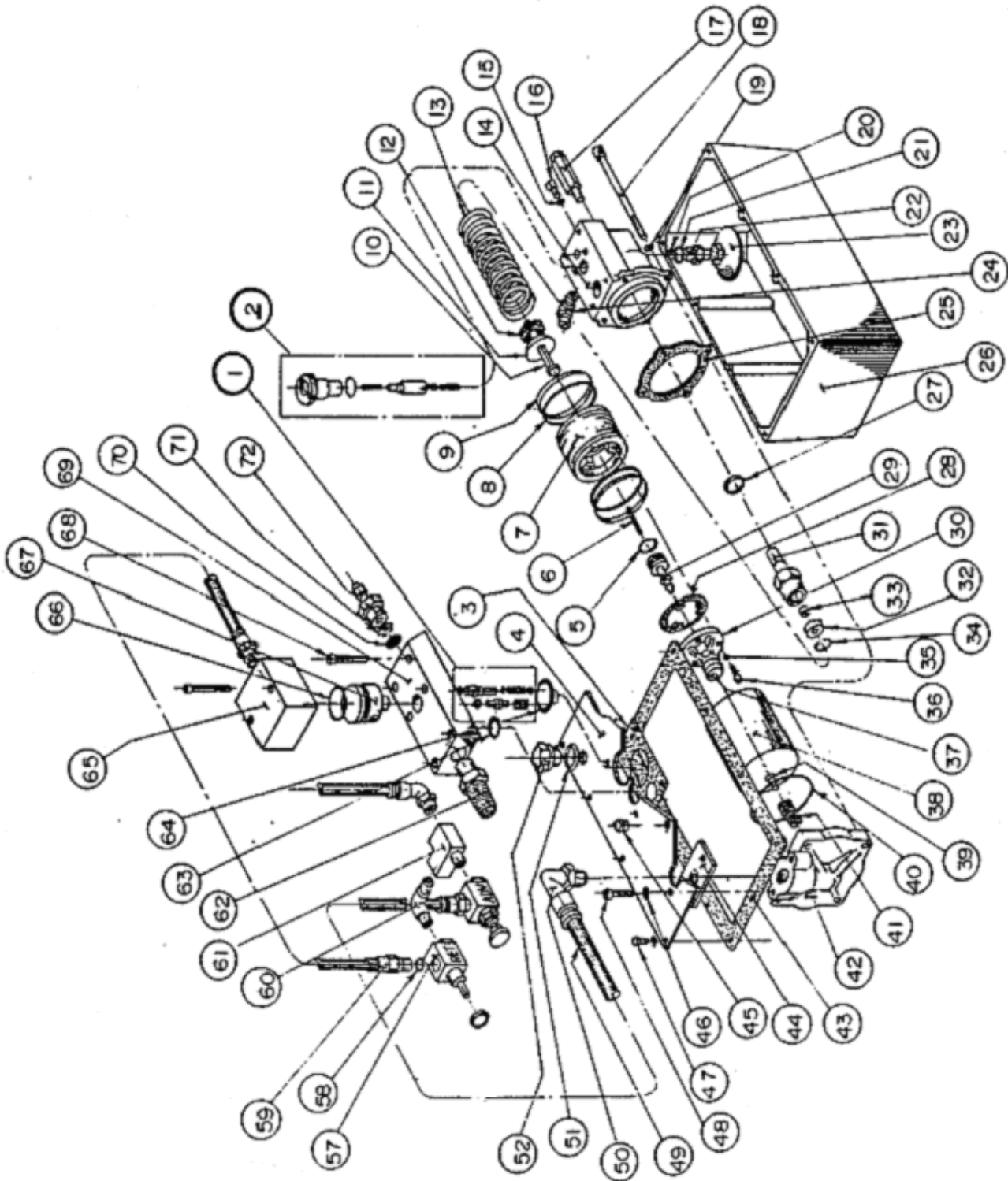
ITEM	QTY.	DESCRIPTION	PART #
1	2	HYDRAULIC CYLINDER ASSEMBLY	3-0362
2	8	SLEEVE BEARING	6-0800
3	2	SLEEVE BEARING *	6-0799
4	2	WIPER RING *	6-0798
5	2	GLAND *	1-0880
6	2	PISTON ROD WELDMENT	2-0616
7	2	PISTON	1-0881
8	2	SEAL & WIPER RING *	6-0579
9	2	KEEPER WASHER *	1-0725
10	2	EXTERNAL SNAP RING *	6-0581
11	2	CYLINDER TUBE WELDMENT	2-0614
-	-	-	-
13	1	VELOCITY FUSE ASSEMBLY	1-1726
14	2	NEOPRENE RISER	2-1174
15	2	RISER, SHORT	2-0163
16	2	RISER, TALL	2-0164
17	2	LIFTING ARM	1-0569
18	1	SCISSOR PIN "B"	1-0584
19	2	UPPER CAM FOLLOWER	6-0076
20	4	SPACER	1-0228
21	2	HEX NUT, 5/8"-18UNF	6-0672
22	1	SAFETY PIN	1-0561
23	1	SAFETY STOP	1-0562
24	2	JAM NUT, 5/8"-18UNF	6-0040
25	4	ROLLER ASSEMBLY	2-0259
26	4	SHOULDER BOLT, 3/8" x 1" LG.	6-0206
27	4	THRUST WASHER, 3/8"	6-0223
28	4	TRACK ROLLER ASSEMBLY	2-0098
29	4	THRUST WASHER, 3/8"	6-0224
30	4	SPRING STEM	1-0204
31	7	LOCKWASHER, 1/4"	6-0056
32	7	HEX HEAD BOLT, 1/4" - 20UNC x 3/4" LG.	6-0178
33	1	HYDRAULIC CYLINDER SEAL KIT *	0-0190
34	2	CAM FOLLOWER	1-0130
35	3	CLIP	6-0671
36	4	SPRING	6-0081
37	4	NYLON LOCKNUT, 3/8"UNC	6-0042
38	4	HEX HEAD BOLT, 3/8"-16UNC x 3/4" LG	6-0030
39	4	LOCKWASHER, 3/8"	6-0058
40	2	KEEPER BRACKET	1-0608
41	1	SNAP-IN GROMET	6-0670
42	1	ADAPTER, 1/4"NPT, M - 1/4" JIC, M	6-0281
43	1	HYDRAULIC LINE	2-1003
44	1	BOTTOM FRAME WELDMENT	4-0154
45	1	LEVER WELDMENT	1-0589

**PANZITTA SALES & SERVICE**  
**72 George Avenue**  
**Wilkes-Barre, PA 18705**  
**570-822-6720 800-822-6720**  
**www.panzittasales.com**

<b>ITEM</b>	<b>QTY.</b>	<b>DESCRIPTION</b>	<b>PART #</b>
46	1	KNOB, 3/8"-16UNC	6-0251
47	2	HEX BOLT, 1/4" x 3/4" LG.	6-0178
48	1	AIR/HYDRAULIC PUMP	6-2259
49	1	PUMP SHIELD	2-0755
50	1	JAM NUT, 1/4"	6-0968
51	2	FLAT WASHER, #10	6-0066
52	2	HEX. HEAD SCREW, #10 x 1/2" LG.	6-1076
53	1	90° ELBOW, 1/4" NPT F TO 3/8" POLY	6-0966
54	1	POLY TUBE	1-1010
55	1	TUBE CLAMP, 1/2"	6-0536
56	1	ADAPTER	6-0710
57	1	90° ELBOW, 1/4" NPT F TO 1/4" NPT, F	6-0967
58	1	MANIFOLD	1-0560
59	2	HYDRAULIC HOSE ASSEMBLY	1-0601
60	2	SCISSOR PIN "A"	1-0583
61	1	CENTER SHAFT	1-0574
62	2	SELF TAPPING SCREW, #10 x 3/8" LG.	6-0169
63	2	RETAINING RING	6-0329
64	2	BOTTOM HINGE PIN	1-0599
65	10	SET SCREW, 1/4" - 20UNC x 1/2" LG.	6-0438
66	4	BUTTON HEAD CAP SCREW, 1/4"-20UNC x 3/8" LG	6-0441
67	4	RETAINING RING	6-0072
68	2	TOP HINGE PIN	1-0598
69	2	ARM STOP	1-0262
70	1	SCISSOR ARM WELDMENT, OUTSIDE	3-0288
71	2	THRUST WASHER	6-0328
72	1	TOP COVER WELDMENT	3-0286
73	1	SCISSOR ARM WELDMENT, INSIDE	3-0289
74	1	TUBE CLAMP, 3/8"	6-0170

- **ITEMS LISTED WITH \* ARE INCLUDED IN ITEM 33 (SEAL KIT)**

# AIR / HYDRAULIC PUMP



PANZITTA SALES & SERVICE  
72 George Avenue  
Wilkes-Barre, PA 18705  
570-822-6720 800-822-6720  
www.panzittasales.com

ITEM	QTY.	DESCRIPTION	PART #
1	1	CHECK AND RELEASE VALVE ASSEMBLY	6-0999
2	2	RELEASE VALVE ASSEMBLY	6-1000
3	1	GASKET	6-1001
4	1	COVER PLATE	6-1002
5	1	“O” RING	6-1003
6	1	SPRING	6-1004
7	1	PISTON BODY	6-1005
8	2	“O” RING	6-1006
9	2	PISTON RING	6-1007
10	1	PSITON	6-1008
11	1	SPRING GUIDE	6-1009
12	1	BUMPER	6-1010
13	1	COMPRESSION SPRING	6-1011
14	1	PUMP BODY	6-1012
15	1	COPPER WASHER	6-1013
16	1	CAP SCREW	6-1014
17	1	RELIEF VALVE ASSEMBLY	6-1015
18	4	HEX-SOCKET CAP SCREW	6-1016
19	4	LOCK WASHER	6-1017
20	1	STEEL BALL	6-1018
21	1	COPPER WASHER	6-1019
22	1	FILTER ADAPTER	6-1020
23	1	FILTER ASSEMBLY	6-1021
24	1	90° ELBOW	6-1022
25	1	GASKET	6-1023
26	1	RESERVOIR	6-1024
27	1	COPPER WASHER	6-1025
28	1	GASKET	6-1026
29	1	EXHAUST VALVE STEM	6-1027
30	1	PISTON	6-1028
31	1	CYLINDER	6-1029
32	1	RETAINER	6-1030
33	1	“U” CUP	6-1031
34	1	RETAINING RING	6-1032
35	3	LOCK WASHER	6-1033
36	3	HEX-SOCKET CAP SCREW	6-1034
37	1	PISTON POPPET	6-1035
38	1	AIR CYLINDER	6-1036
39	1	CAP SCREW	6-1037
40	1	BACKUP RING	6-1038
41	1	SPRING	6-1039
42	1	REAR HEAD	6-1040
43	1	GASKET	6-1041
44	1	GASKET	6-1042
45	1	PLUG	6-1043
46	2	FLAT WASHER	6-1044
47	8	SCREW	6-1045
48	2	HEX-SOCKET CAP SCREW	6-1046
49	2	POLYTUBE, 10”LG	6-1047

<b>ITEM</b>	<b>QTY.</b>	<b>DESCRIPTION</b>	<b>PART #</b>
50	2	ELBOW FITTING	6-1048
51	1	RUBBER GASKET	6-1049
52	1	BREATHER CAP	6-1050
57	2	AIR VALVE W/ (1) LOCKWASHER & (2) THIN NUTS	6-1055
58	2	PLASTIC WASHER	6-1056
59	2	STRAIGHT FITTING	6-1057
60	1	90° ELBOW	6-1058
61	1	CONNECTOR	6-1059
62	1	FILTER	6-1060
63	2	“O” RING	6-1061
64	1	“O” RING	6-1062
65	1	VALVE BODY	6-1063
66	1	“O” RING	6-1064
67	1	PISTON	6-1065
68	6	HEX-SOCKET CAP SCREW	6-1066
69	1	VAVLE BODY	6-1067
70	1	FILTER	6-1068
71	1	TOOTH LOCKWASHER	6-1069
72	1	FLOW CONTROL	1-1079

**PANZITTA SALES & SERVICE**  
**72 George Avenue**  
**Wilkes-Barre, PA 18705**  
**570-822-6720 800-822-6720**  
**www.panzittasales.com**