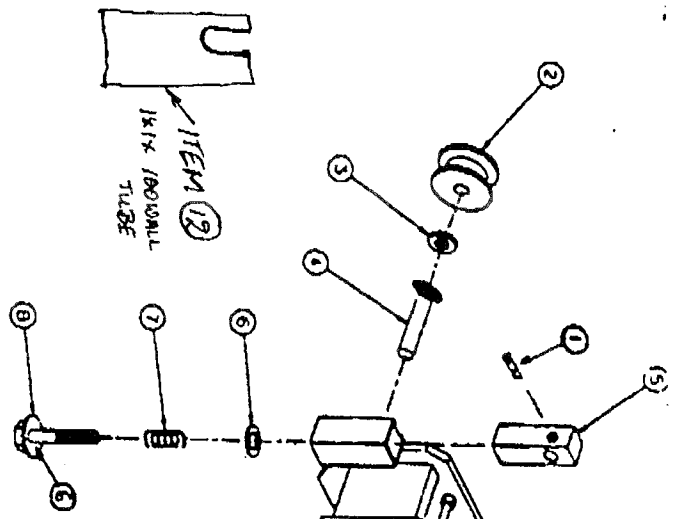
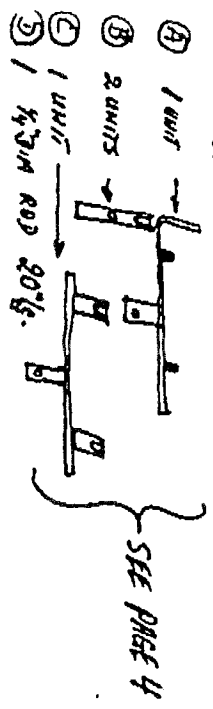


5		ELBOW	1
3		AIR BAG	1
	85559		1
	85560		1
	85561		1
1	291006-501	ACTUATOR VALVE	1
ITEM	PART NO.	DESCRIPTION	QTY.

ITEM 1A 1/4" RUG SW 1/8" HOLE
 " 1B 1/4" ELBOW 90°
 1C 1/4" " 45°



NOTE I
 TIGHTEN ITEM 8 (1/8 HEX NUT)
 TO COMPRESS ITEM 7 (SPRING)
 TO 3/4" BETWEEN ITEM 6 (WASHERS)

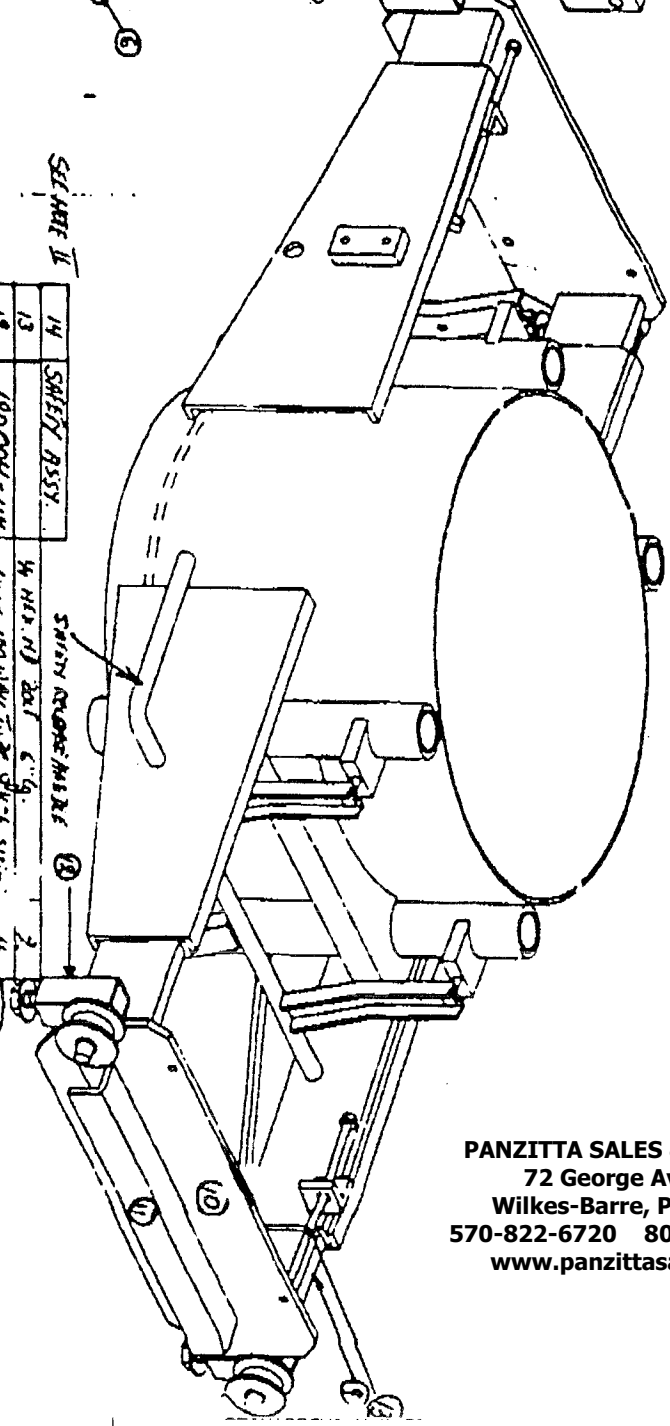


SECTION II

ITEM	PART NO.	DESCRIPTION	QTY.
14	SAFETY ASSY.		2
13	190004-114	1/4" HEX NUT DOT 6" g.	4
12	190006-132	1/4" R FARMED TI 2.1/16" g.	2
11	190004-107	1/4" 12 ROLLER 4x4x1370	4
10		1/2" 2x2 1/4" IR FOOT	4
9		7/16 HEX. HEAD BOLT	4
8		SPRINGS	4
7	C0576-1BA	7/16 FLAT WASHER	8
6	190004-115	SUSPENSION BLOCK	4
5	190004-115	AXLE CLEVIS PIN	4
4		FLAT WASHER SAE 7/16	4
3	190006-129	WHEEL 5/8 BEARING	4
2		ROLL PIN 1/8 x 3/4	4
1			4

WHEEL ASSY SET ONLY

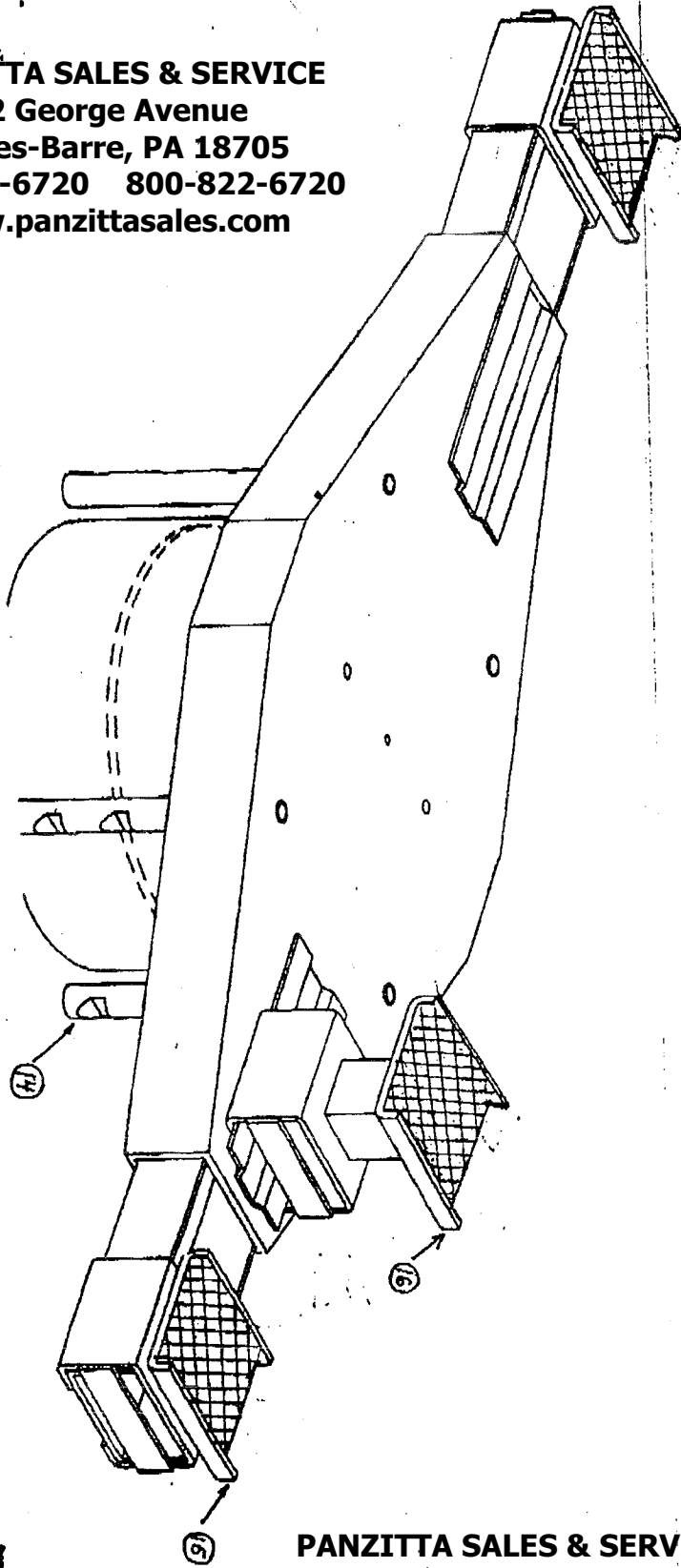
PER SET



PANZITTA SALES & SERVICE
 72 George Avenue
 Wilkes-Barre, PA 18705
 570-822-6720 800-822-6720
 www.panzittasales.com

PAGE 2

PANZITTA SALES & SERVICE
 72 George Avenue
 Wilkes-Barre, PA 18705
 570-822-6720 800-822-6720
 www.panzittasales.com



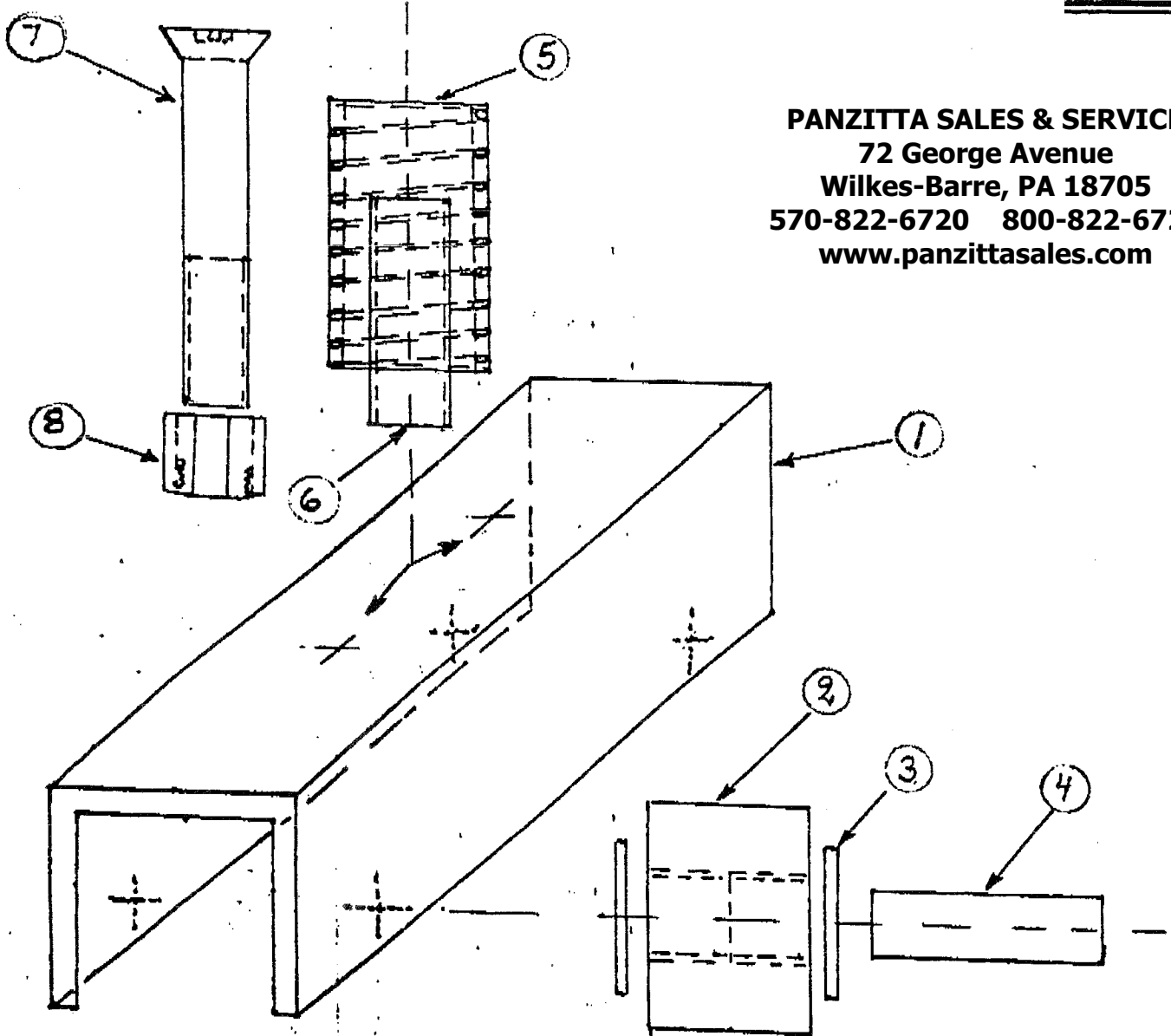
ITEM	PART NO.	DESCRIPTION	QTY.
16		LONG ADAPTOR	2
15		SHORT ADAPTOR	2
14		SHAFT (SEE PAGE 4)	4

PANZITTA SALES & SERVICE
 72 George Avenue
 Wilkes-Barre, PA 18705
 570-822-6720 800-822-6720
 www.panzittasales.com

PAGE 3

ROLLERS

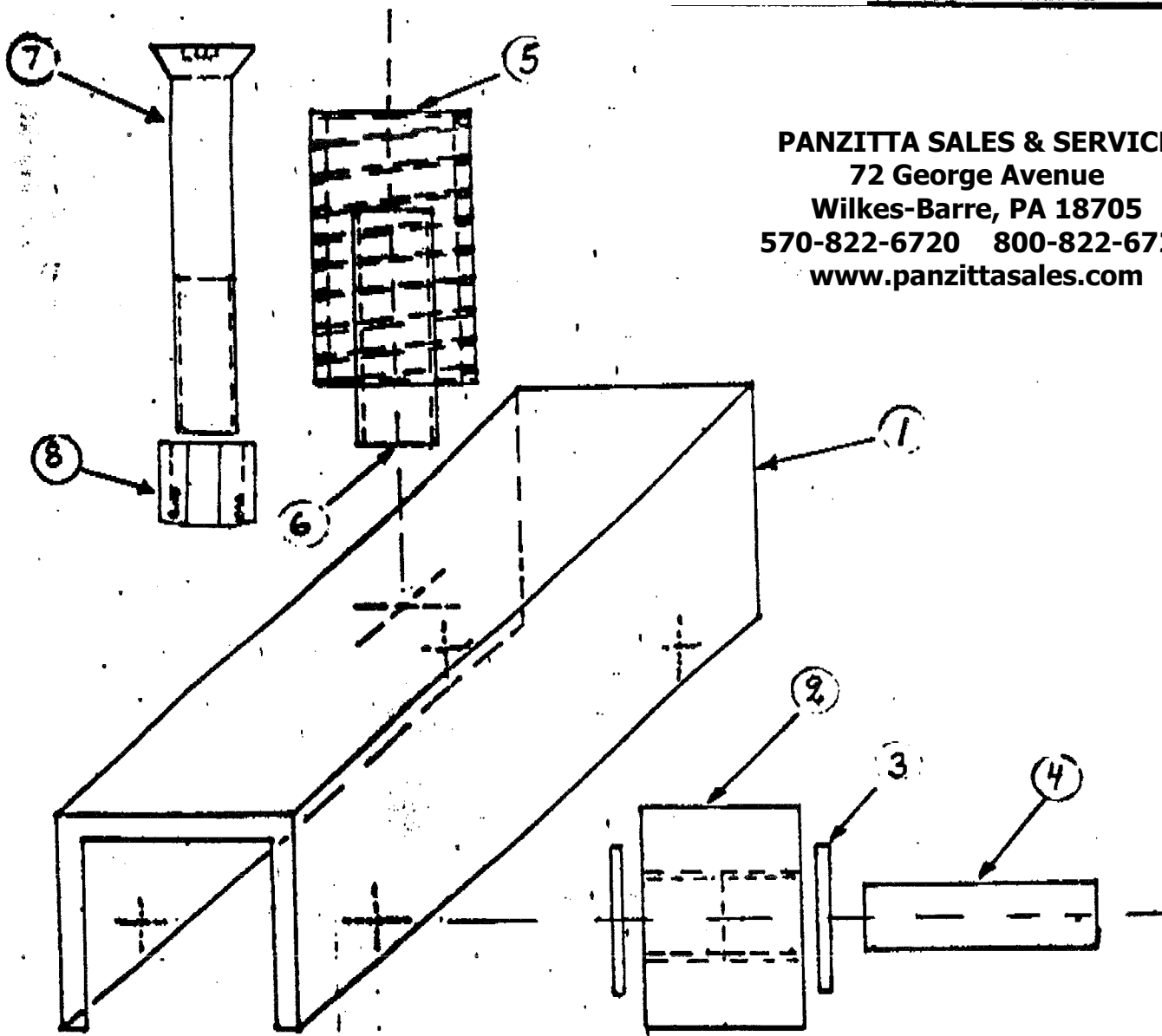
PANZITTA SALES & SERVICE
 72 George Avenue
 Wilkes-Barre, PA 18705
 570-822-6720 800-822-6720
 www.panzittasales.com



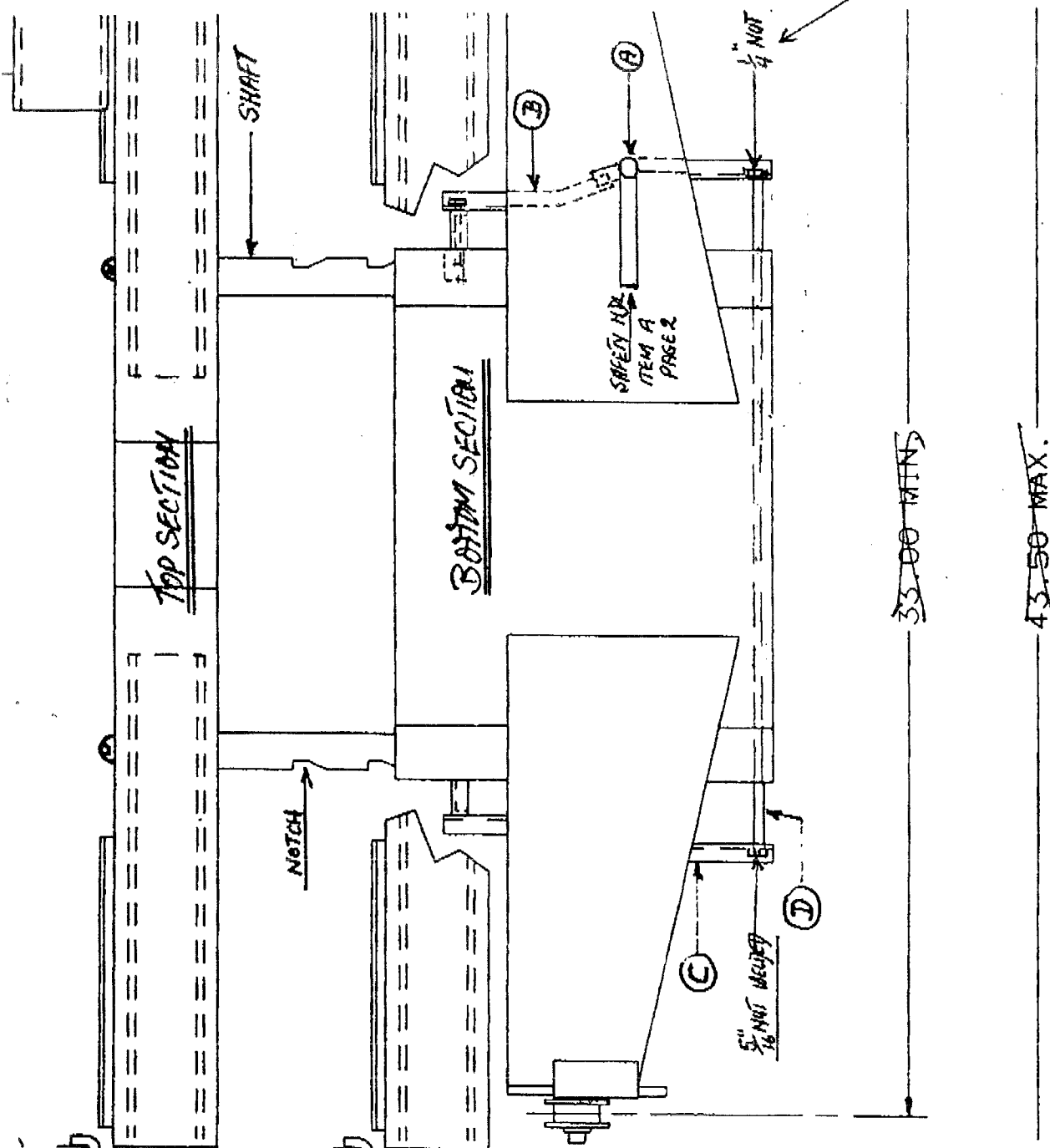
REQ ^d PER JACK	REQ ^d PER ASSY	PARTS LIST	
4	1	ITEM 1	FAB. BRACKET
8	2	2	1 1/2" DIA ROLLER 9/16" 2 BEARINGS
16	4	3	3/8" FLAT WASHER
8	2	4	7/16" DIA COLD ROLLED BAR 1 1/2" Lg.
8	2	5	1" DIE SPRING 1 3/4" Lg. (BLUE)
8	2	6	1/2" DIA TUBE #1860. 1 1/2" Lg.
8	2	7	3/8" x 2 1/2" Lg. FLATHEAD BOLT
8	2	8	3/8" LOCK NUT

ROLLER ASSY.

PANZITTA SALES & SERVICE
 72 George Avenue
 Wilkes-Barre, PA 18705
 570-822-6720 800-822-6720
 www.panzittasales.com



REQ ^d PER ASSY	REQ ^d PER JACK	PARTS LIST	
1	4	ITEM 1	FAB. BRACKET
2	8	2	1 1/2" DIA ROLLER 5/8" 2 BEARINGS
4	16	3	3/8" FLAT WASHER 2 REQ ^d
2	8	4	7/16" DIA COLD ROLLED BAR 1 1/2" Lg.
1	4	5	1" DIE SPRING 1 3/4" (BLUE)
1	4	6	1/2" DIA TUBE #1860. 1 1/2" Lg.
1	4	7	3/8" x 2 1/2" Lg. FLATHEAD BOLT
1	4	8	3/8" LOCK NUT



PAGE 4

PANZITTA SALES & SERVICE
 72 George Avenue
 Wilkes-Barre, PA 18705
 570-822-6720 800-822-6720
 www.panzittasales.com