

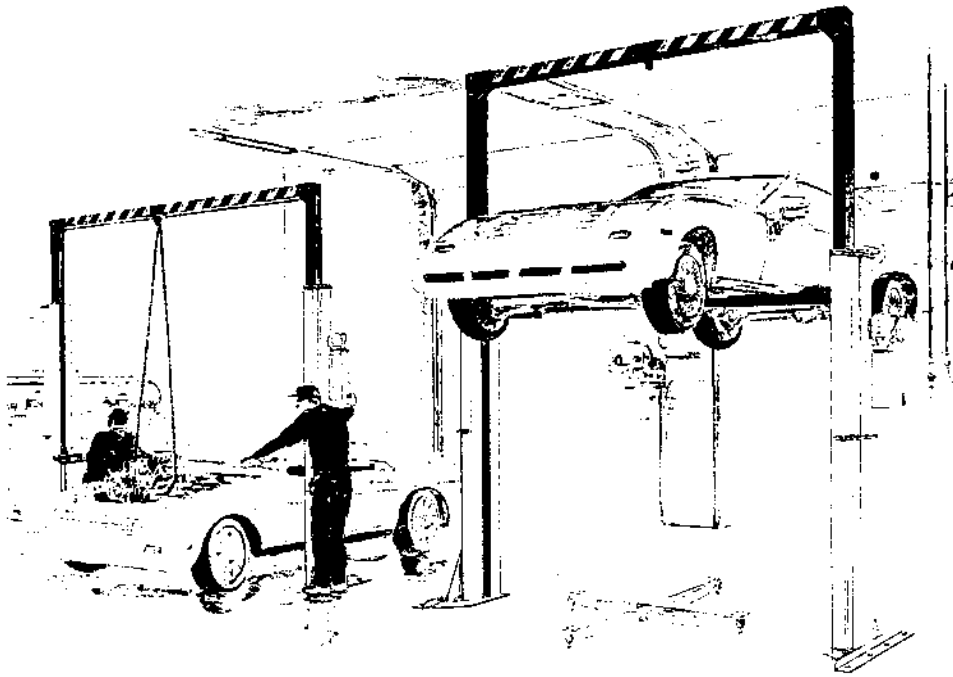
SPARE PARTS

MODELS

8020 / 8021

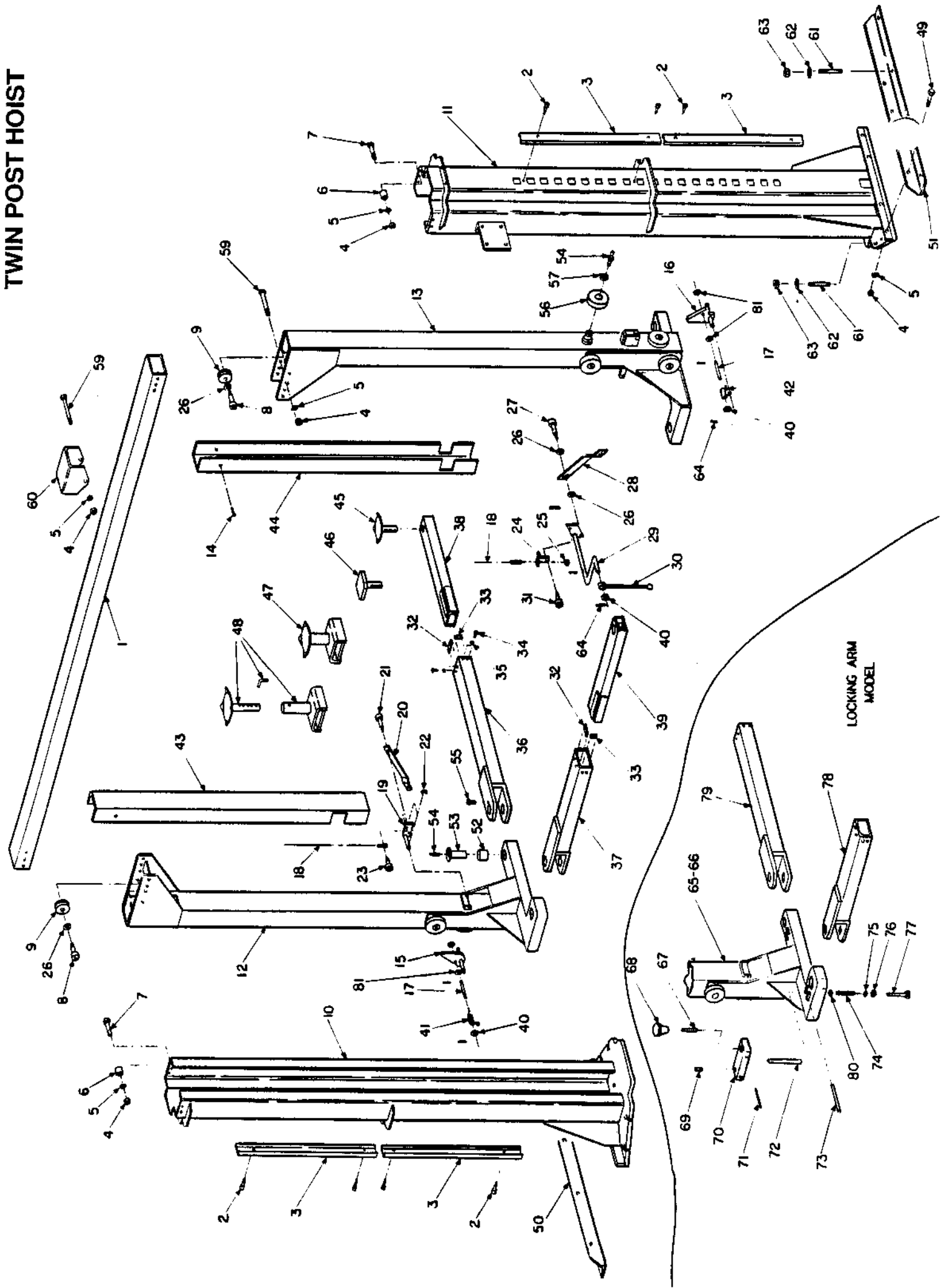
63-100 / 63-10017

PANZITTA SALES & SERVICE
72 George Avenue
Wilkes-Barre, PA 18705
570-822-6720 800-822-6720
www.panzittasales.com



WHEELTRONIC  **INC.**

TWIN POST HOIST



PANZITTA SALES & SERVICE

72 George Avenue

Wilkes-Barre, PA 18705

570-822-6720 800-822-6720

www.panzittasales.com

TWIN POST ASSEMBLY

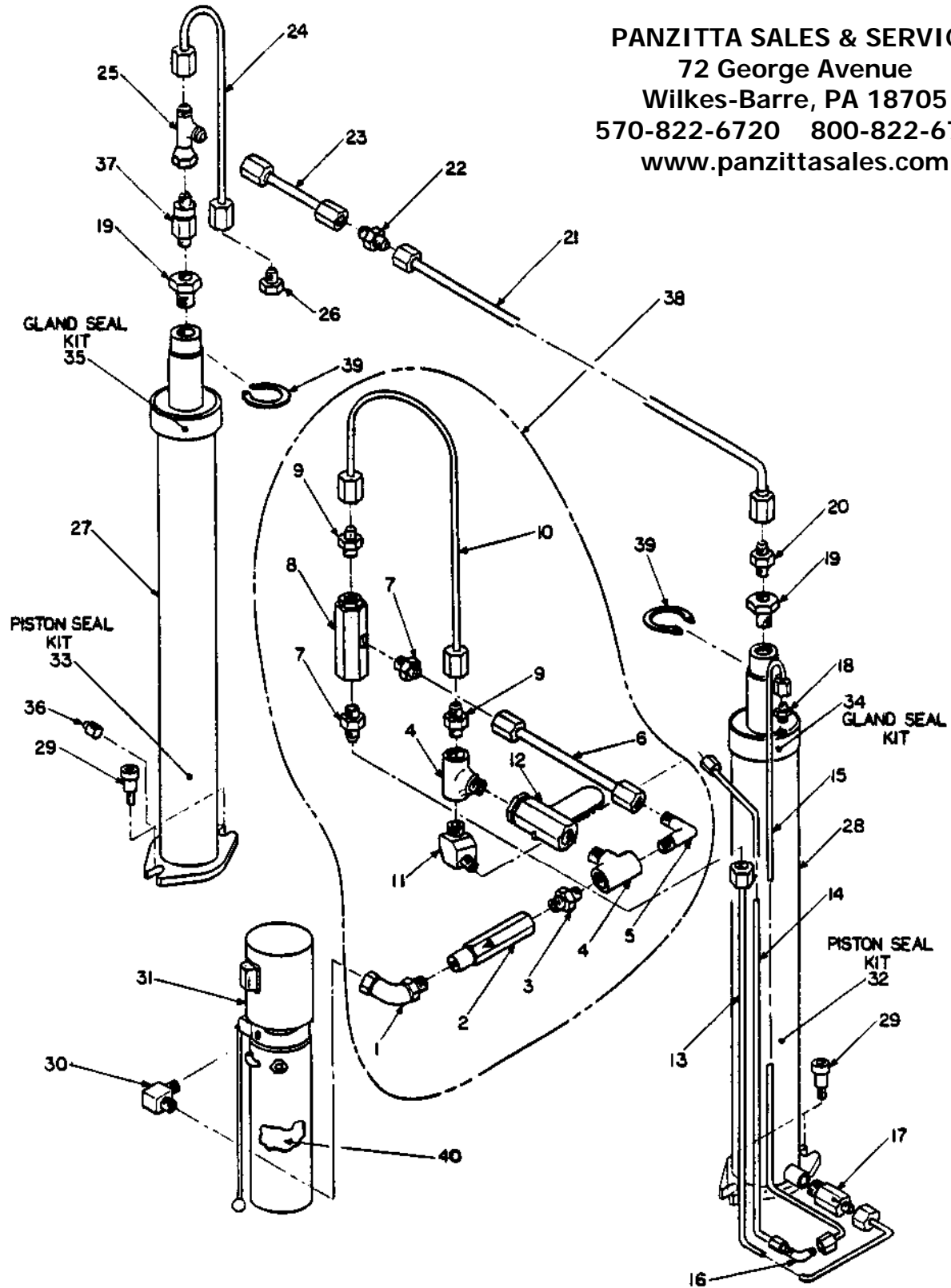
PAGE 1

ITEM NO	PART NO	QUANTITY	DESCRIPTION
1	3-0093	1	Crossmember
2	6-0335	8	Screw, 1/4-20 UNC x 5/8" lg
3	2-0235	4	Tower Safety Cover
4	6-0035	23	Hex Nut, 1/2-13 UNC
5	6-0059	23	Lock Washer, 1/2
6	1-0284	8	Carriage Stop
7	6-0315	8	Hex Bolt, 1/2-13 UNC x 2 1/4 lg
8	6-0206	2	Shoulder Screw, 3/8 x 1" lg Before S/N 81298
	6-0069	2	Shoulder Screw, 3/8 X 5/8 lg. After S/N 81298
9	1-0237	2	Safety Cable Pulley Before S/N 81298
	1-0415	2	Safety Cable Pulley After S/N 81298
10	4-0047	1	Tower Weldment, Passenger Side
11	4-0046	1	Tower Weldment, Driver Side
12	4-0049	1	Carriage Weldment, Passenger Side
13	4-0048	1	Carriage Weldment, Driver Side
14	6-0297	4	Self Tapping Screw, #10 x 3/4" lg
15	2-0291	1	Safety Dog Weldment, Passenger Side
16	2-0290	1	Safety Dog Weldment, Driver Side
17	1-0260	2	Safety Dog Pivot Pin
18	1-0239	1	Safety Cable
19	1-0326	1	Safety Linkage Pivot
20	3-0108	1	Safety Link, Long, Passenger Side
21	6-0246	1	Shoulder Screw, 5/16 x 1 1/4" lg
22	6-0362	2	Retaining Ring, "E" Type
23	6-0244	1	Shoulder Screw, 1/4 X 3/8
24	1-0259	1	Safety Link, "L" Shape
25	6-0032	1	Hex Nut, 1/4-20 UNC
26	6-0295	4	Plain Washer, 5/16
27	1-0380	1	Shoulder Screw, 5/16 x 1 1/4" lg w/hole
28	3-0107	1	Safety Link, Long, Driver Side
29	3-0137	1	Safety Release Lever
30	2-0293	1	Safety Release Handle
31	6-0240	1	Shoulder Screw, 1/4 x 1/4
32	1-0262	4	Arm Stop, Top
33	1-0263	4	Arm Stop, Side
34	6-0339	16	Hex Bolt, 1/4-28 UNF x 5/8 lg
35	6-0056	16	Lock Washer, 1/4
36	3-0103	2	Outer Arm Weldment, Long
37	3-0104	2	Outer Arm Weldment, Short
38	2-0191	2	Inner Arm, Long
39	2-0192	2	Inner Arm, Short

ITEM No.	PART No.	QUANTITY	DESCRIPTION
40	6-0063	3	Flat Washer, 1/2
41	1-0249	1	Safety Spring, Passenger Side
42	1-0369	1	Safety Spring, Driver Side
43	3-0126	1	Carriage Cover, Passenger Side
44	3-0125	1	Carriage Cover, Driver Side
45	2-0304	4	Standard Low Lifting Pad
46	3-0170	4	Low Lifting Pad, Neoprene
47	3-0194	4	Standard Truck Pad
48	3-0218	4	Adjustable Truck Pad, Assembly
49	6-0047	8	Hex Bolt, 1/2-13 UNC x 1 3/4" lg
50	3-0097	1	Tower Support Angle, Passenger Side
51	3-0096	1	Tower Support Angle, Driver Side
52	6-0235	4	Bushing, 1 3/4 O.D.
53	2-0186	4	Arm Pins
54	6-0209	16	Grease Nipple, 1/8 NPT
55	6-0423	4	Hex Bolt, 5/16-18 UNC x 3/4" lg
56	2-0193	12	Carriage Wheel
57	6-0233	12	Retaining Ring, For Wheel 1 3/8" I.D.
59	6-0290	7	Hex Bolt, 1/2-13 UNC x 5 1/2" lg
60	3-0109	1	Motor Hoist Bracket
61	6-0316	16	Wedge Anchor, 5/8-11 UNC x 5" lg
62	6-0064	16	Flat Washer, 5/8
63	6-0036	16	Hex Nut, 5/8-11 UNC
64	6-0267	9	Cotter Pin, 1/8 x 1"
65	4-0102	1	Carriage Weldment, Passenger Side, For Locking Arm
66	4-0104	1	Carriage Weldment, Driver Side, For locking arm
67	1-0387	4	Threaded rod, 3/8 - 16 UNC X 1 1/2" Long
68	1-0208	4	Knob
69	6-0438	4	Set Screw, 1/4 - 20-unc x 1/2" long
70	2-0249	4	Rack
71	6-0437	4	Roll Pins, 1/8 X 1" Long
72	1-0334	4	Plunger Pin
73	1-0333	4	Pivot Pin
74	1-0332	4	Spring Plunger
75	6-0060	4	Flat Washer, 1/4
76	6-0032	4	Hex Nut, 1/4 - 20 UNC
77	6-0027	4	Hex Bolt, 1/4 - 20UNC X 1 1/4" Long
78	3-0220	1	Passenger Side Short Outer Locking Arm Weldment
	3-0222	1	Driver Side Short Outer Locking Arm Weldment
79	3-0219	1	Pass Side Long Outer Locking Arm Weldment
	3-0221	1	Driver Side Long Outer Locking Arm Weldment
80	6-0062	4	Flat Washer, 3/8
81	6-0387	4	Thrustwasher 1/2 X .030
	6-0419	2	Thrustwasher 1/2 X .060

TWIN POST HYDRAULICS

PANZITTA SALES & SERVICE
72 George Avenue
Wilkes-Barre, PA 18705
570-822-6720 800-822-6720
www.panzittasales.com

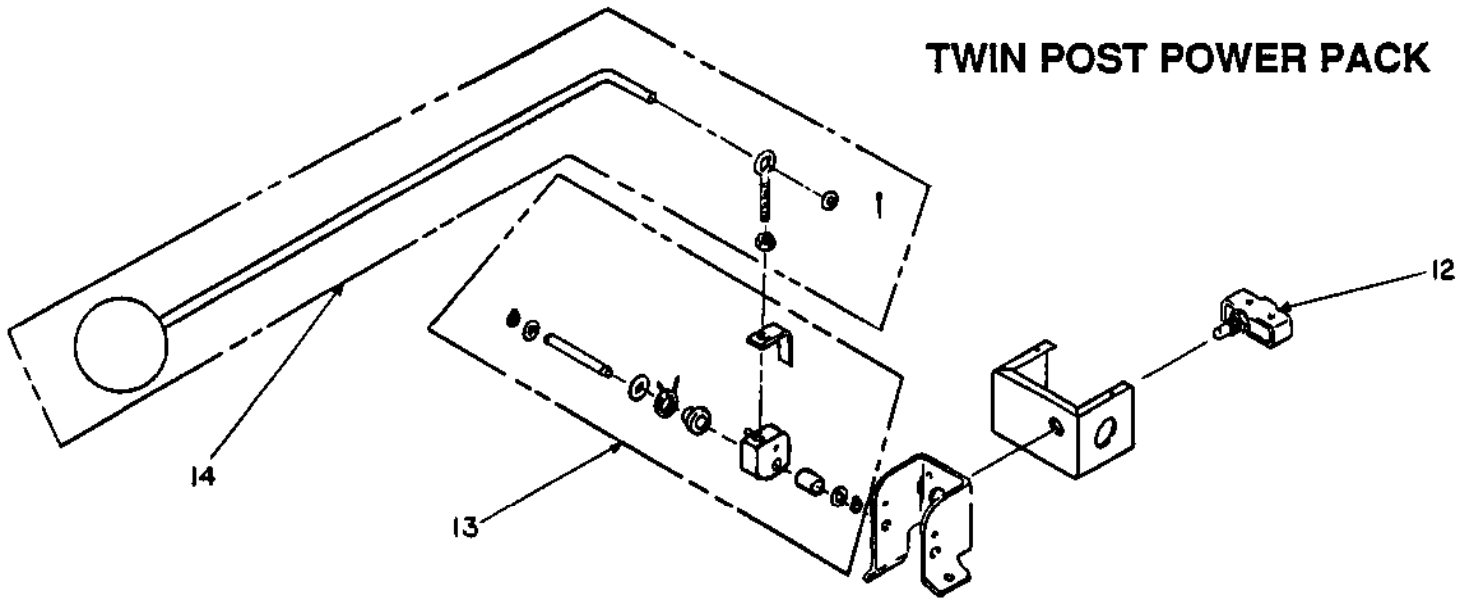


TWIN POST HYDRAULICS

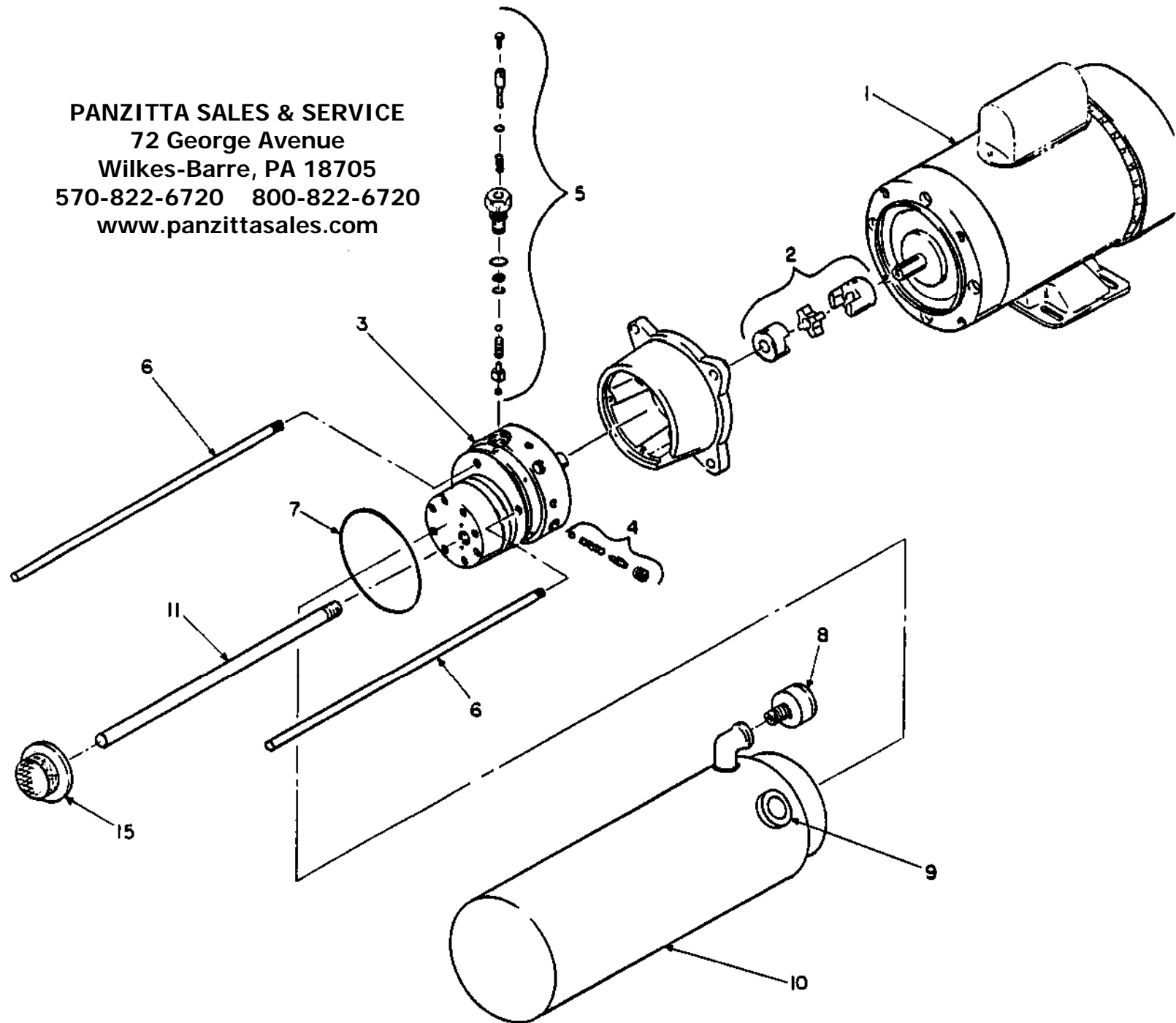
PAGE 1

ITEM No.	PART No.	QUANTITY	DESCRIPTION
1	6-0269	1	Elbow, 135 deg, 3/8 Swivel F NPT/ 3/8 M NPT
2	6-0090	1	Flow Control
3	6-0270	1	Adapter, 1/4 M NPT/ 3/8M NPT
4	6-0271	1	Tee, 1/4 M NPT/ 3/8 F NPT
5	6-0274	1	Elbow, 90 deg, 3/8 M JIC/ 1/4 M NPT
6	1-0281	1	Tube Assembly, 3/8
7	6-0276	2	Adapter, 1/4 M NPT/ 3/8 M JIC
8	6-0277	1	Pilot Operated Check Valve
9	6-0281	2	Adapter, 1/4 M JIC/ 1/4 M NPT
10	1-0280	1	Tube Assembly, 1/4
11	6-0279	1	Elbow, 135 deg, 1/4 M NPT/ 1/4 M JIC
12	6-0272	1	Ball Valve
13	3-0114	1	Tube Assembly, 3/8
14	3-0110	1	Tube Assembly, 1/4
15	3-0229	1	Tube Assembly, 1/4
16	6-0278	1	Elbow, 90 deg, 1/4 M JIC/ 1/4 M JIC
17	6-0422	1	Velocity Fuse, 4 GPM
18	6-0280	1	Adapter, 1/8 M NPT/1/4 M JIC
19	6-0285	2	Adapter, 3/4 M NPT/ 3/8 F NPT
20	6-0011	1	Adapter, 3/8 M NPT/ 3/8 M JIC
21	3-0113	1	Tube Assembly, 3/8
22	6-0286	1	Adapter, 3/8 M JIC/ 3/8 M JIC
23	3-0112	1	Tube Assembly, 3/8
24	1-0093	1	Tube Assembly, 3/8
25	6-0284	1	Tee 3/8 F JIC Swivel/ 3/8 M JIC/ 3/8 M JIC
26	6-0371	1	Plug, 3/8 JIC
27	4-0055	1	Slave (Passenger Side) Cylinder Assembly
28	4-0054	1	Driver Cylinder Assembly
29	6-0425	4	Shoulder Bolt,
30	6-0268	1	Elbow,90 deg, 3/8 M NPT/ 3/8 M NPT
31	6-0303	1	Power Pack incl. 90 deg Elbow
32	0-0086	1	Piston Seal Kit, Driver Side
	2-0172	1	Piston, Driver Side
33	0-0088	1	Piston Seal Kit, Passenger Side
34	0-0087	1	Gland Seal Kit, Driver Side
	3-0116	1	Gland, Driver Side
35	0-0089	1	Gland Seal Kit, Passenger Side
36	6-0102	1	Plug, 3/8 NPT
37	6-0345	1	Adapter, 3/8M JIC/ 3/8M NPT 2 1/4 Long
38	3-0139	1	Hydraulic Fitting Assembly
39	6-0340	2	Circlip
40	6-0358		Dextron II (4 Litre Container)
	6-0359		Dextron II (1 Litre Container)

TWIN POST POWER PACK



PANZITTA SALES & SERVICE
72 George Avenue
Wilkes-Barre, PA 18705
570-822-6720 800-822-6720
www.panzittasales.com



ITEM NO.	PART NO.	QUANTITY	DESCRIPTION
1	6-0450	1	Electric Motor 2 H.P. H.T. 3600 RPM 220/1/60
2	6-0451	1	Coupling Assembly
3	6-0452	1	Pump Assembly
4	6-0453	1	Relief Valve Assembly
5	6-0454	1	Lowering Valve Assembly
6	6-0455	2	Return Tube
7	6-0456	1	"O" Ring
8	6-0457	1	Filler Breather Cap
9	6-0458	1	Sight Gauge
10	6-0459	1	Reservoir
11	6-0460	1	Suction Tube
12	6-0461	1	Micro-Switch
13	6-0462	1	Linkage Assembly
14	6-0463	1	Handle Assembly
15	6-0464	1	Suction Strainer

PANZITTA SALES & SERVICE
72 George Avenue
Wilkes-Barre, PA 18705
570-822-6720 800-822-6720
www.panzittasales.com