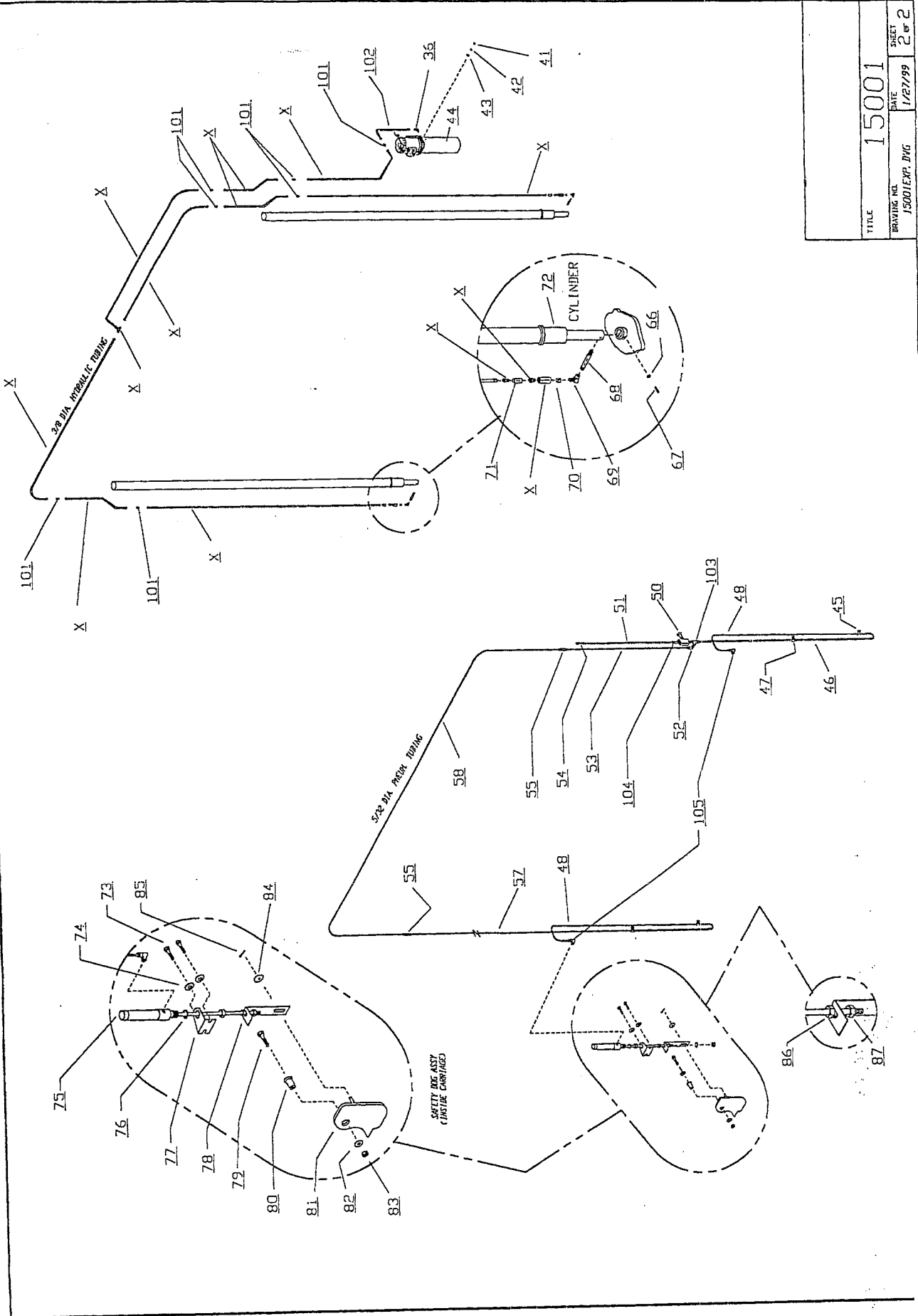


PANZITTA SALES & SERVICE
72 George Avenue
Wilkes-Barre, PA 18705
570-822-6720 800-822-6720
www.panzittasales.com

**Installation, Operation &
Maintenance Manual**

Model 15001



TITLE	15001	SHEET	2 of 2
DRAWING NO.	15001EXP.DWG	DATE	1/27/99

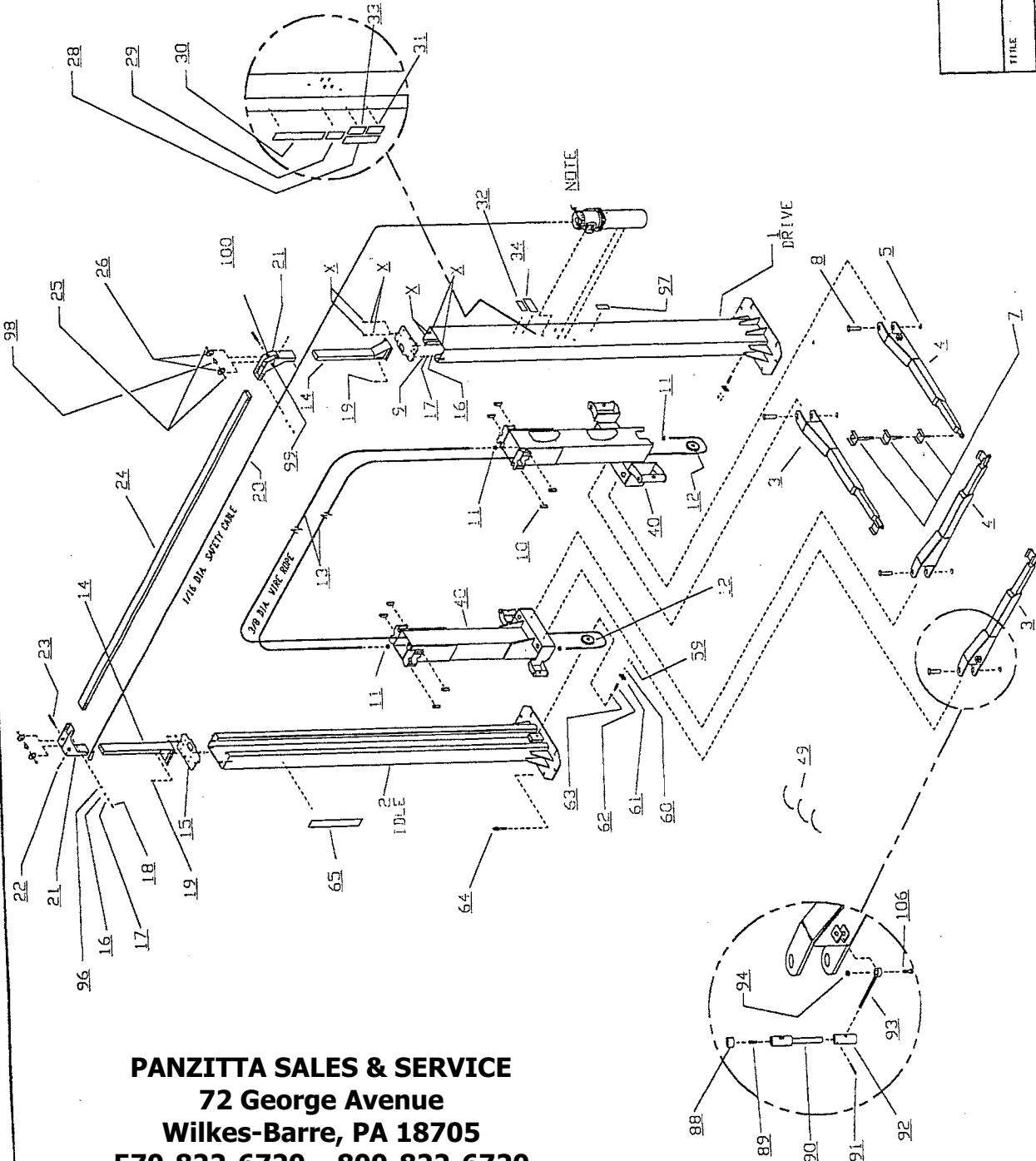
PANZITTA SALES & SERVICE
 72 George Avenue
 Wilkes-Barre, PA 18705
 570-822-6720 800-822-6720
 www.panzittasales.com

TITLE 15001

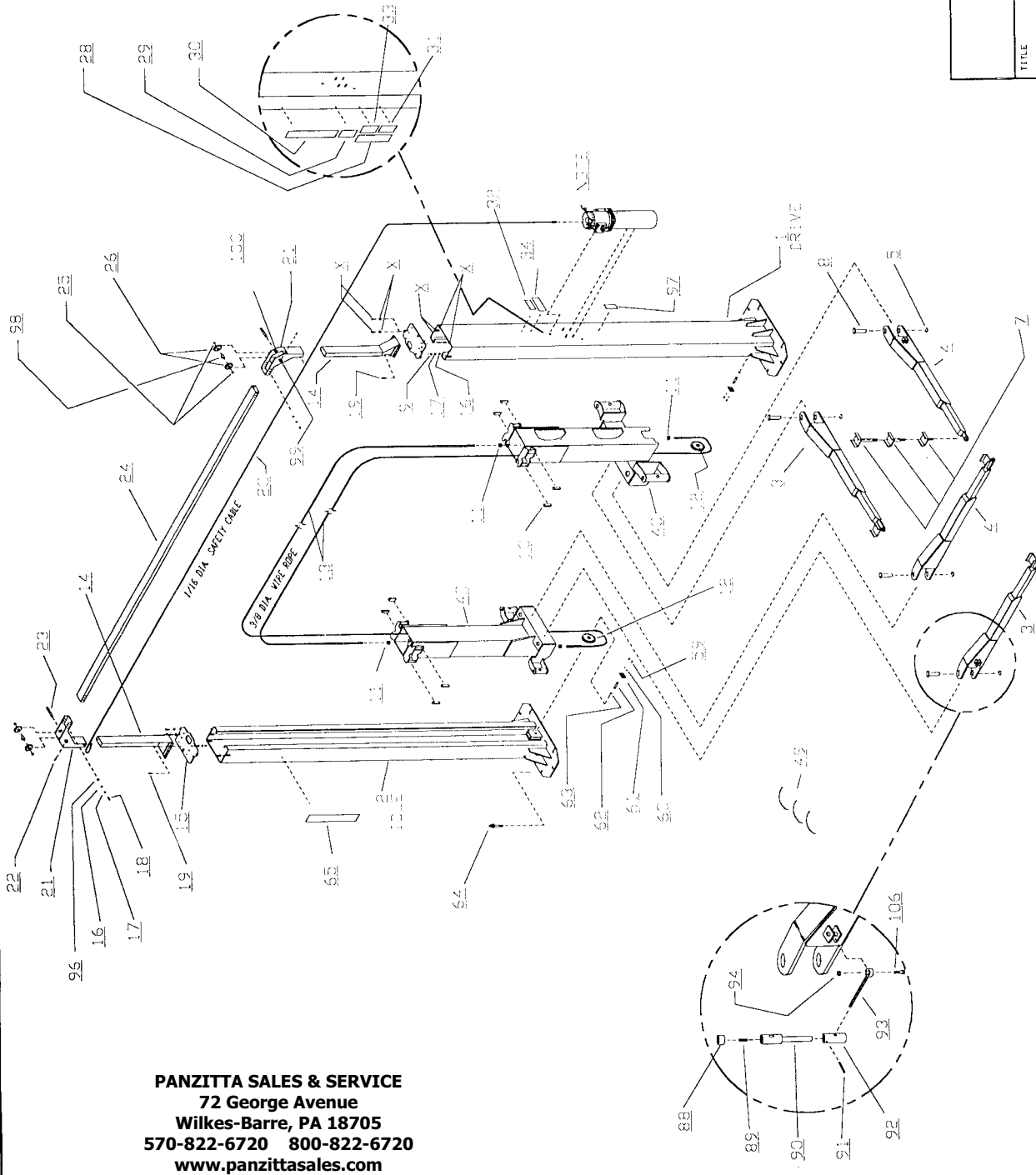
DRAWING NO. 15001EXP. DWG

DATE 1/27/99

SHEET 1 of 2

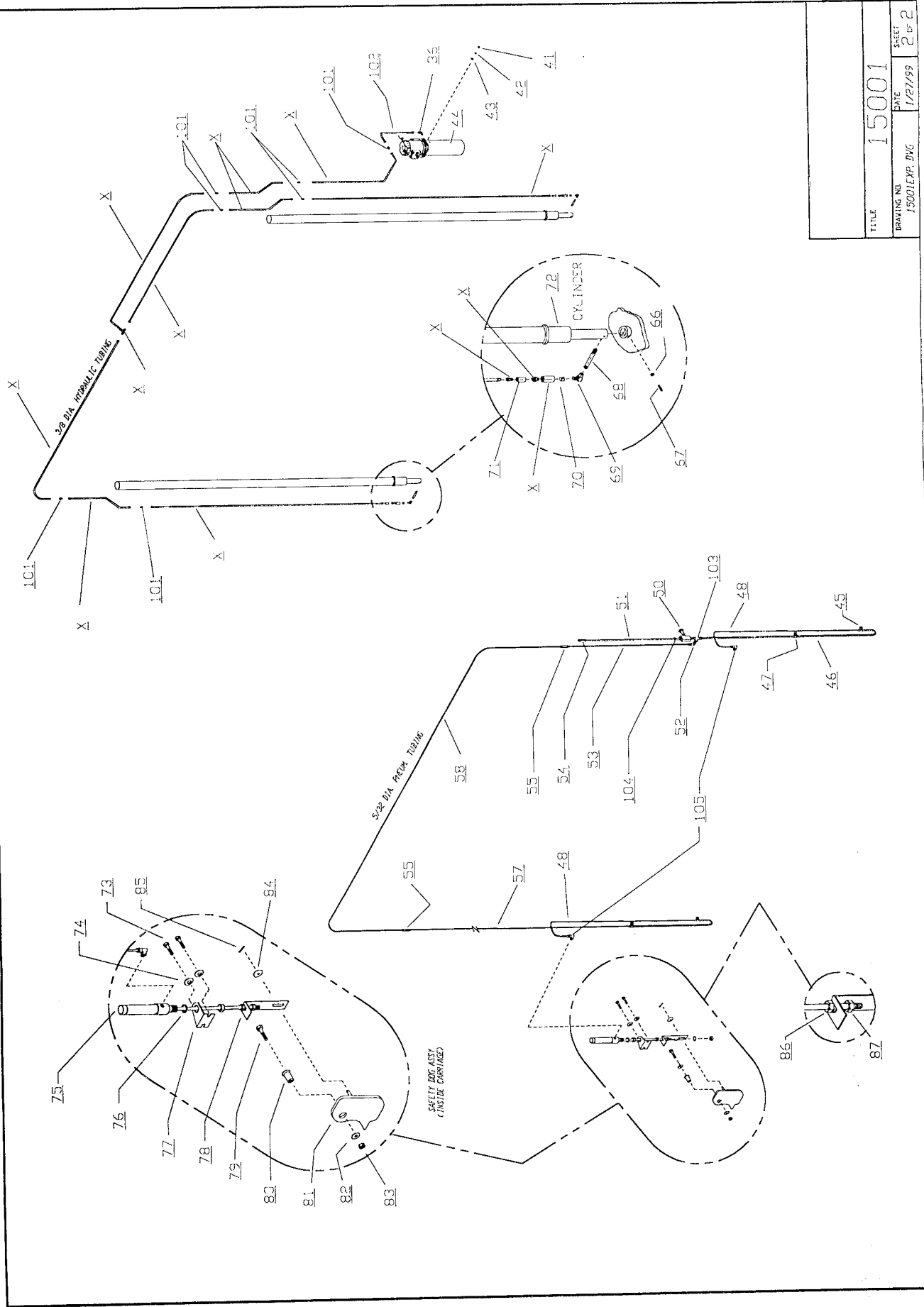


PANZITTA SALES & SERVICE
72 George Avenue
Wilkes-Barre, PA 18705
570-822-6720 800-822-6720
www.panzittasales.com



PANZITTA SALES & SERVICE
 72 George Avenue
 Wilkes-Barre, PA 18705
 570-822-6720 800-822-6720
 www.panzittasales.com

TITLE	15001
DRAWING NO.	15001EXP. DWG
DATE	1/27/99
SHEET	1 of 2



TITLE	15001
DRAWING NO.	15001EXP. DWG
DATE	1/27/99
SHEET	2 of 2

PANZITTA SALES & SERVICE
 72 George Avenue
 Wilkes-Barre, PA 18705
 570-822-6720 800-822-6720
www.panzittasales.com