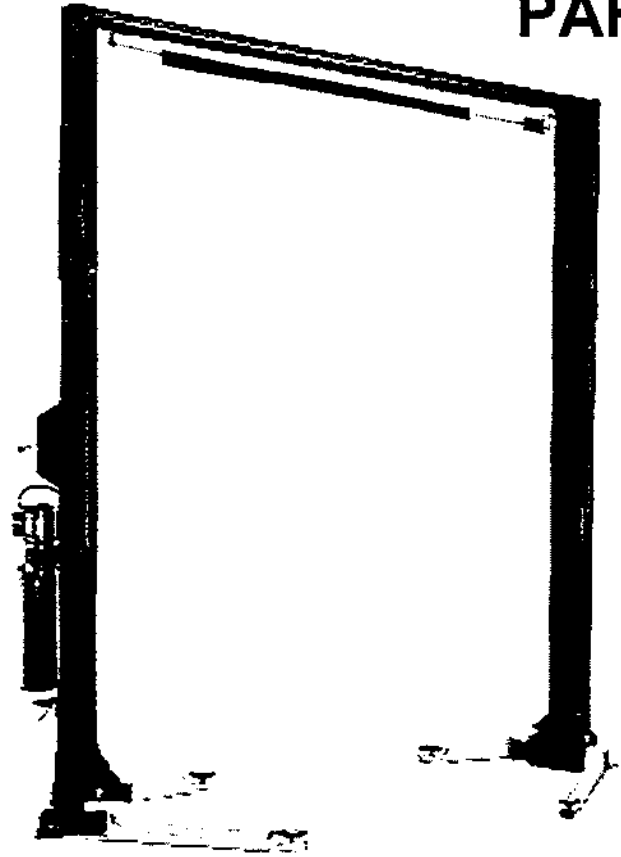


WHEELTRONIC LTD.

**EXPLODED
VIEWS AND
PARTS LISTS**



CE



**VECTOR
(MODEL 11144VS)
11000 LB.**

**READ and SAVE THIS
INSTRUCTION MANUAL**

PANZITTA SALES & SERVICE
72 George Avenue
Wilkes-Barre, PA 18705
570-822-6720 800-822-6720
www.panzittasales.com

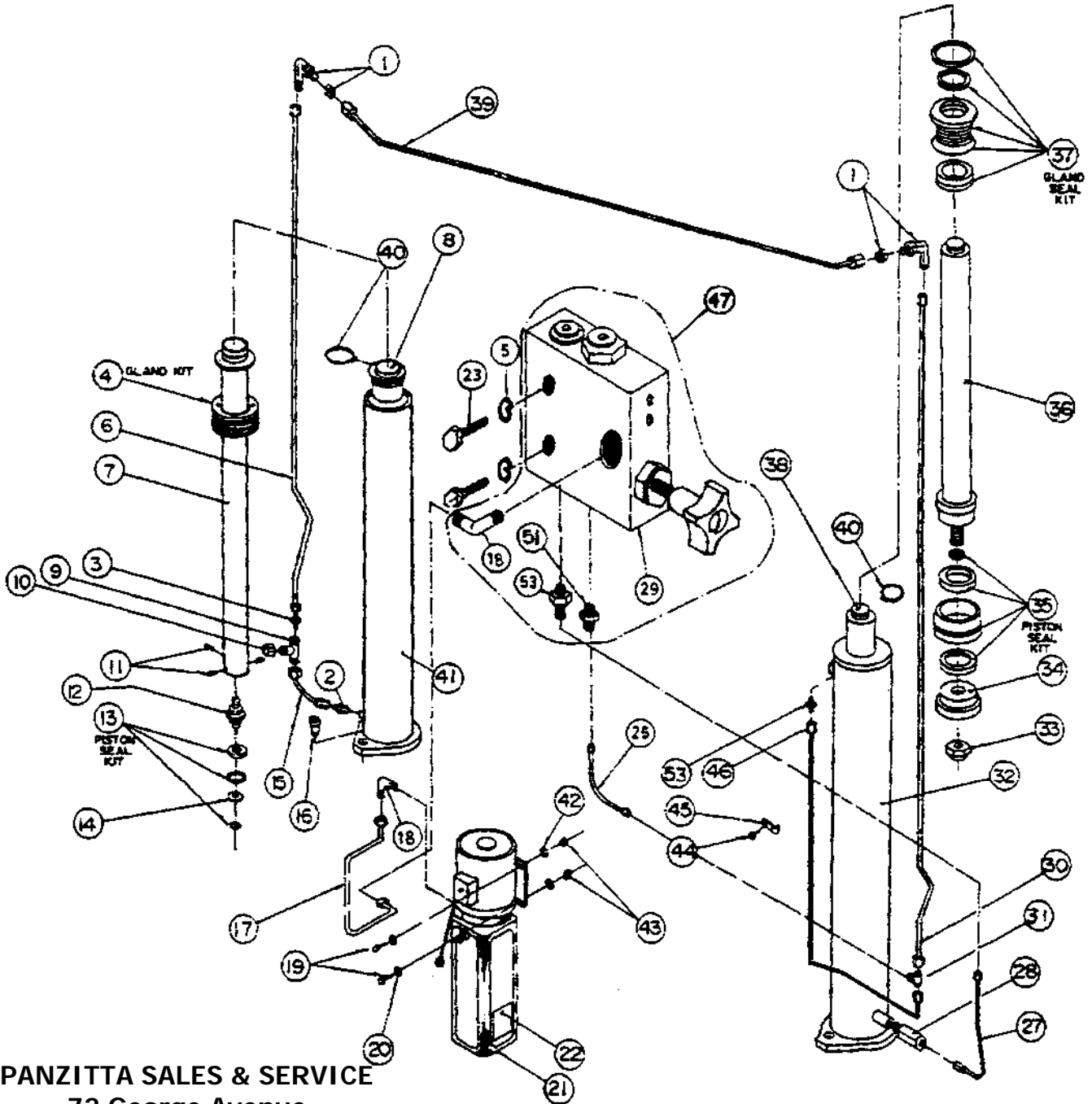
TWIN POST PART LIST

ITEM	QTY.	DESCRIPTION	PART #
1	24	FLAT WASHER, 1/2"ID SAE	6-0248
2	16	LOCKWASHER, 1/2"ID	6-0059
3	17	HEX NUT, 1/2"-13UNC	6-0035
4	6	SELF TAPPING SCREW, #12 x 1/2"LG.	6-1134
5	8	COTTER PIN, 1/8"DIA. x 1"LG.	6-0267
6	1	ALI/ETL DECAL	6-0996
7	1	"HYDRAULIC LEVELING " DECAL	6-1583
8	2	SHOULDER BOLT, 3/8"DIA. x 1"LG.	6-0206
9	2	SAFETY PIN	1-0938
10	2	SAFETY PULLEY	1-0415
11	2	SAFETY SPRING	1-1115
12	8	FLAT WASHER, 51/64"ID x 1"OD x 1/16"THK.	6-0808
13	1	PLASTIC KNOB	6-1135
14	2	SAFETY COVER	3-0439
15	1	SAFETY RELEASE HANDLE	1-1113
16	1	SAFETY DOG, POWER SIDE	2-0902
17	1	CABLE CONNECTING BRACKET	1-1291
18	4	COTTER PIN, 1/8" x 2"LG.	6-0115
20	10	WEDGE ANCHOR, 3/4"-10UNC x 5 1/2"LG. (c-w washers & nuts)	6-1379
21	4	HEX BOLT, 1/4"-20UNC x 1 1/4"LG.	6-0027
22	4	1/4"ID FENDER WASHER	6-0626
23	4	PLUNGER SPRING	1-0939
24	1	TOWER WELDMENT, LEFT SIDE	4-0612
25	4	PIVOT PLUNGER	1-0745
26	4	GREASE FITTING	6-0000
27	4	ROLL PIN, 1/8"DIA. X 1"LG.	6-0437
28	4	RACK	2-0249
29	4	KNOB	1-0208
30	4	THREADED ROD, 3/8"-16UNC x 1 1/2"LG.	1-1135
36	2	LONG OUTER ARM TUBE WELDMENT, F.L., R.R.	3-0657
37	2	LONG OUTER ARM TUBE WELDMENT, F.R., R.L.	3-0656
38	2	LONG LOCKING ARM ASSEMBLY, F.L., R.R.	4-0616
39	2	LONG LOCKING ARM ASSEMBLY, F.R., R.L.	4-0617
40	4	LONG INNER ARM WELDMENT	2-1273
41	4	CENTER PIN	1-1099
42	4	ADAPTER PIN	1-1091
43	4	HIGH STEP POSITION ADAPTER	3-0582
44	4	LOW POSITION ADAPTER	3-0583
45	4	FLATWASHER, 3/8"ID.	6-0062
46	4	HEX BOLT, 3/8"-16UNC x 3/4"LG.	6-0030
47	4	LOCKWASHER, 3/8"ID.	6-0058
48	4	ARM PIN WELDMENT	2-0929

PANZITTA SALES & SERVICE
72 George Avenue
Wilkes-Barre, PA 18705
570-822-6720 800-822-6720
www.panzittasales.com

ITEM	QTY.	DESCRIPTION	PART #
49	4	HEX BOLT, 5/16"-18UNC x 3/4"LG.	6-0423
50	1	TOWER WELDMENT. RIGHT SIDE	4-0611
51	2	SHOULDER BOLT, 3/8"DIA. x 5/8"LG.	6-0069
52	1	SAFETY COVER w/DECALS, SLAVE SIDE	0-0203
53	1	"SAFETY INSTRUCTIONS" DECAL	6-0594
54	1	SAFETY DOG. SLAVE SIDE	2-0872
55	4	CARRIAGE STOP	1-1119
57	2	HEX NUT. 5/16"-18UNC	6-0294
58	2	SAFETY CABLE PULLEY	1-1116
59	1	CROSSMEMBER WELDMENT	2-1281
60	1	SAFETY RELEASE CABLE. 293 1/2"LG.	1-1551
61	8	HEX BOLT, 1/2"-13UNC x 1 1/4"LG.	6-0046
62	1	SAFETY COVER w/DECALS, POWER SIDE	0-0204
63	1	"WARNING" DECAL	6-0595
64	1	"CAUTION" DECAL	6-0592
65	1	"SAFETY RELEASE" DECAL	6-0603
67	4	PIVOT PIN	1-0333
68	1	SERIAL # TAG	6-1172
69	1	CARRIAGE WELDMENT	4-0613
70	8	GLIDE BEARING	2-0772
71	2	FLAT WASHER. 5/16" I.D.	6-0295
72	2	LOCKWASHER. 5/16" I.D.	6-0296
73	8	HEX BOLT, 1/2" - 13UNC x 2 1/4"LG.	6-0315
74	1	ACTUATOR BAR	1-1439
75	1	FOAM GUARD	6-1404
77	1	ELECTRICAL UTILITY BOX	6-1403
78	1	MICROSWITCH	6-0916
79	1	ACTUATOR EXTENSION	1-1379
80	1	CABLE CONNECTOR	6-1133
81	1	ELEC. CABLE 16/3 x 117"LG.	6-1173
82	7	HEX HD. NUT 1/4"NC	6-0032
83	3	HEX HD. BOLT, 1/4"NC x 3/4"LG.	6-0178
84	6	LOCKWASHER 1/4" DIA	6-0056
85	3	ELECTRICAL CABLE CLIP, 3/8"	6-1230
88	4	SET SCREW., 1/4"-20UNC X 1/2"LG.	6-0438
90	1	SHOULDER BOLT, 3/8"DIA. X 1 1/4"LG.	6-0908
91	2	SELF-TAPPING SCREW. #10 X 3/8"LG.	6-0169
92	2	HEX NUT, 1/4"NC	6-0032
93	1	HEX HD. BOLT, 1/4"NC X 1 1/2"LG.	6-0205
95	1	ACTUATOR MTG. BRACKET	1-1378
96	1	LIMIT SWITCH MTG. BRACKET	2-1143
97	1	HEX HD. BOLT 1/4" - 20UNC X 2"LG.	6-0741
98	2	6/32 SCREW (ELECTRICAL BOX)	6-1466
99	2	HEX HD. BOLT, 1/4" NC x 1 1/4"LG.	6-0027

TWIN POST HYDRAULICS

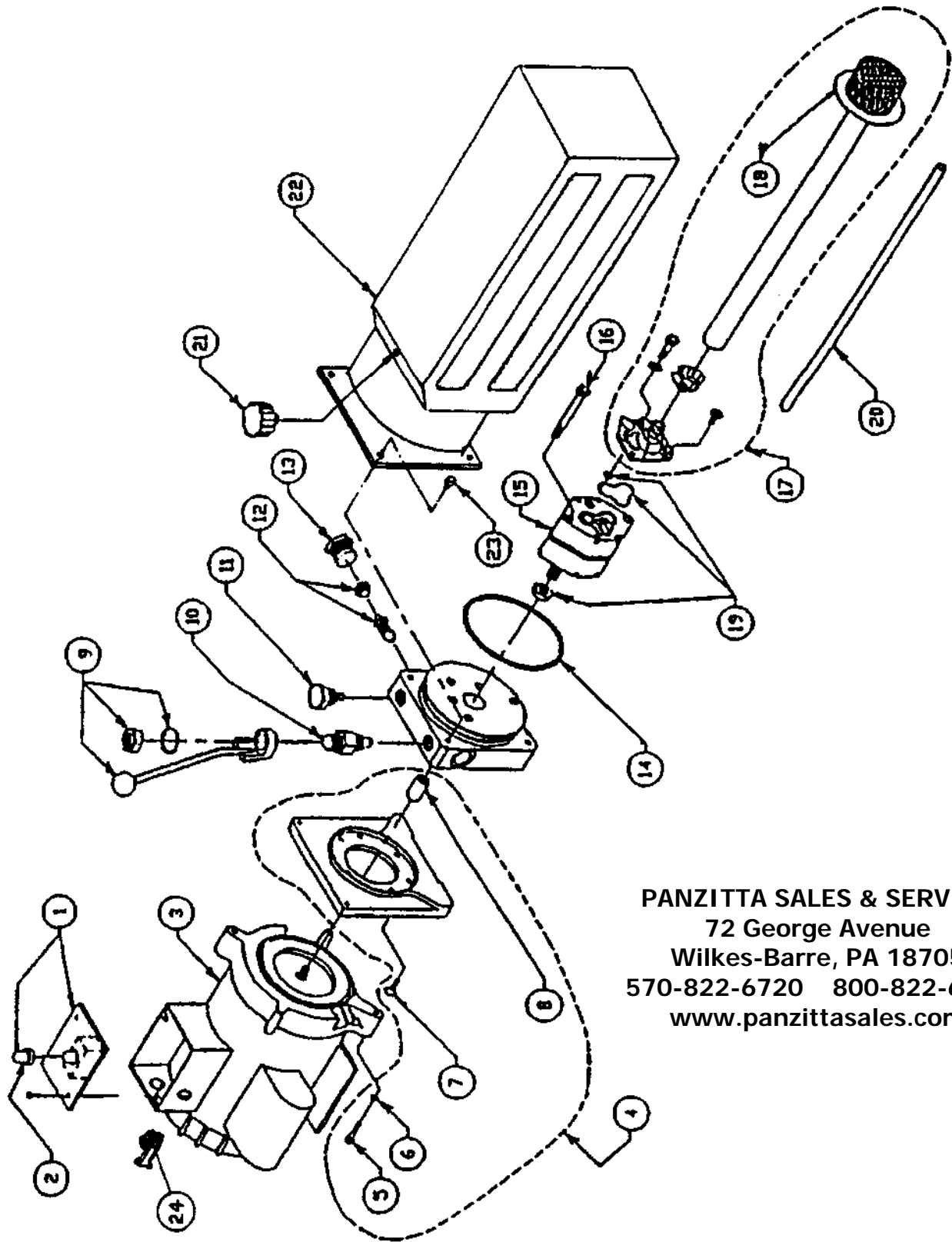


PANZITTA SALES & SERVICE
72 George Avenue
Wilkes-Barre, PA 18705
570-822-6720 800-822-6720
www.panzittasales.com

TWIN POST HYDRAULIC PART LIST

ITEM	QTY.	DESCRIPTION	PART #
1	2	ELBOW BULKHEAD 90°, 3/8"JIC-3/8"JIC	6-0012
2	1	ADAPTER, 3/8"NPT - 3/8"JIC x 2 1/4"LG.	6-0345
3	1	UNION, 3/8"JIC MALE	6-0286
4	1	GLAND SEAL KIT, RIGHT SIDE	0-0207
5	2	LOCKWASHER, 1/4" I.D.	6-0056
6	1	HYDRAULIC TUBE ASSEMBLY	2-0960
7	1	PISTON TUBE, RIGHT SIDE	2-0930
8	1	HYDRAULIC CYLINDER ASS'Y, RIGHT SIDE	3-0480
9	1	TEE, 3/8" SWIVEL NUT JIC MALE	6-0284
10	1	CAP. 3/8"JIC	6-0021
11	3	ALLEN HD. SETSCREW, 1/4"-20UNC x 3/8"LG.	6-0580
12	1	PISTON	2-0619
13	1	PISTON SEAL KIT, RIGHT SIDE	0-0159
14	1	KEEPER WASHER	1-0725
15	1	HYDRAULIC TUBE ASSEMBLY	1-0102
16	2	SHOULDER BOLT, 1/2" x 5/8"LG.	6-0425
17	1	HYDRAULIC TUBE ASSEMBLY	2-1140
18	2	ELBOW 90°, 9/16"SAE M-3/8"JIC M	6-0804
19	4	HEX BOLT, 5/16"-18UNC x 1"LG.	6-0293
20	8	FLAT WASHER, 5/16"ID	6-0061
21	1	POWER PACK	6-1176
22	1	"LIFT OPERATION" DECAL	6-1266
23	2	HEX HD. BOLT 1/4" 20UNC x 1 3/4"LG.	6-0028
25	1	HYDRAULIC HOSE ASSEMBLY	1-1341
27	1	HYDRAULIC TUBE ASSEMBLY	2-0886
28	1	VELOCITY FUSE, 4GPM	6-0422
29	1	HYDRAULIC VALVE BLOCK	6-1362
30	1	HYDRAULIC TUBE ASSEMBLY	2-0961
31	1	BRANCH "T" JIC ALL ENDS	6-1372
32	1	CYLINDER BARREL WELDMENT, LEFT SIDE	3-0428
33	1	UNI-TORQUE LOCKNUT, 7/8"-9UNC	6-0631
34	1	PISTON SPIGOT	2-0521
35	1	PISTON SEAL KIT, LEFT SIDE	0-0160
36	1	PISTON ROD WELDMENT, LEFT SIDE	2-0793
37	1	GLAND SEAL KIT, LEFT SIDE	0-0206
38	1	HYDRAULIC CYLINDER ASS'Y, LEFT SIDE	4-0289
39	1	HYDRAULIC TUBE ASSEMBLY	2-1286
40	2	CIRCLIP	6-0340
41	1	CYLINDER BARREL WELDMENT, RIGHT SIDE	2-0802
42	4	LOCKWASHER, 5/16"ID	6-0674
43	4	HEX NUT, 5/16"-18UNC	6-0294
44	7	ROUND HD. BOLT, 1/4"-20UNC x 3/8"LG.	6-1353
45	7	TUBE CLAMP	6-0170
47	1	HYDRAULIC VALVE BLOCK ASS'Y (C/W FITTINGS)	6-1389
46	1	HYDRAULIC TUBE ASSEMBLY	2-0887
51	1	ADAPTER, 1/4" NPT, M - 1/4" JIC M	6-0281
53	2	ADAPTER, 1/4"NPT MALE - 3/8"JIC MALE	6-0276

POWER PACK



PANZITTA SALES & SERVICE
72 George Avenue
Wilkes-Barre, PA 18705
570-822-6720 800-822-6720
www.panzittasales.com

TWIN POST POWER PACK PART LIST

ITEM	QTY.	DESCRIPTION	PART #
1	1	MICROSWITCH	6-0881
2	1	MICROSWITCH BOOT	6-1084
3	1	MOTOR 230 VAC. 1PH, 60 HZ	6-0773
4	1	MOTOR ADAPTER	0-0197
5	4	SOCKET HD.CAP SCW. 1/4"-20UNC X 5/8"LG.	6-1085
6	4	LOCKWASHER. 1/4" I.D.	6-0056
7	4	ALLEN HD. FLAT SCW. 1/4"-20UNC X 3/4"LG.	6-1086
8	1	COUPLING	6-0774
9	1	RELEASE BRACKET & HANDLE ASSEMBLY	6-0776
10	1	VALVE CARTRIDGE RELEASE	6-0880
11	1	VALVE CARTRIDGE CHECK	6-1087
12	1	FIXED RELIEF VALVE, RV24	6-1324
13	1	RELIEF VALVE CAP	6-1089
14	1	RESERVOIR "O"RING	6-0875
15	1	PUMP ASSEMBLY	6-0782
16	2	PUMP MOUNTING BOLT	6-1090
17	1	INLET PLUMBING KIT	0-0198
18	1	INLET HOSE / FILTER ASSEMBLY	6-0786
19	1	PUMP "O" RING KIT	0-0199
20	1	RETURN TUBE	6-0783
21	1	BREATHER-FILLER CAP (PLASTIC)	6-1376
22	1	RESERVOIR (PLASTIC)	6-1399
23	4	RESERVOIR SCREW	6-1091
24	1	CABLE CONNECTOR, 3/8"	6-1133

PANZITTA SALES & SERVICE
72 George Avenue
Wilkes-Barre, PA 18705
570-822-6720 800-822-6720
www.panzittasales.com