

# PARTS MANUAL

## EC-383 B Series

## EC-184 B Series

# MODELS

Flat Frame Lifts Serial No.s 4CG thru \_\_\_\_\_

Date Installed \_\_\_\_\_ Installer \_\_\_\_\_  
 Lift Serial Number \_\_\_\_\_  
 Model Number \_\_\_\_\_  
 Other Special Equipment \_\_\_\_\_

WE RESERVE THE RIGHT TO MAKE CHANGES IN DESIGN OR ADD IMPROVEMENTS WITHOUT INCURRING THE OBLIGATION TO MAKE SUCH CHANGES IN LIFTS PREVIOUSLY MANUFACTURED.

SPECIFICATIONS						
MODEL SERIES	CAPACITY LBS.	PLUNGER TRAVEL	PLUNGER DIAMETER	LIFTING AREA	OIL DISPLACED	INITIAL OIL FILL
EC-383 B	*8000	70"	10-5/8	88.5 sq"	27 gal	43 gal
EC-184 B	*8000	70"	10-5/8	88.5 sq"	27 gal	43 gal

# WEAVER®

Subsidiary of Walter Kidde & Company, Inc.

## KIDDE

\*@ 150 psi MAINTAINED AIR PRESSURE

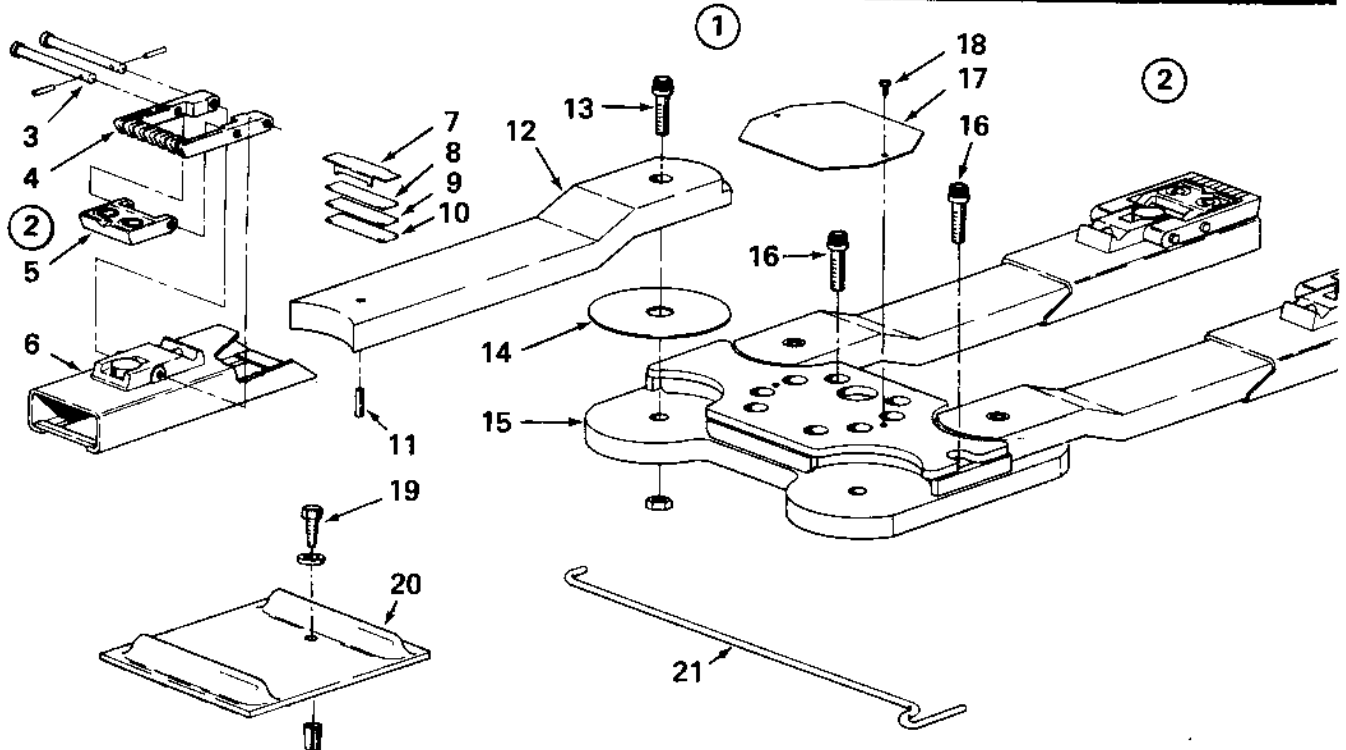
FORM NO. 1696

PART NUMBER 1085012

**PANZITTA SALES & SERVICE**  
 72 George Avenue  
 Wilkes-Barre, PA 18705  
 570-822-6720 800-822-6720  
[www.panzittasales.com](http://www.panzittasales.com)

Thursday, July 15, 2004.max

# Superstructure



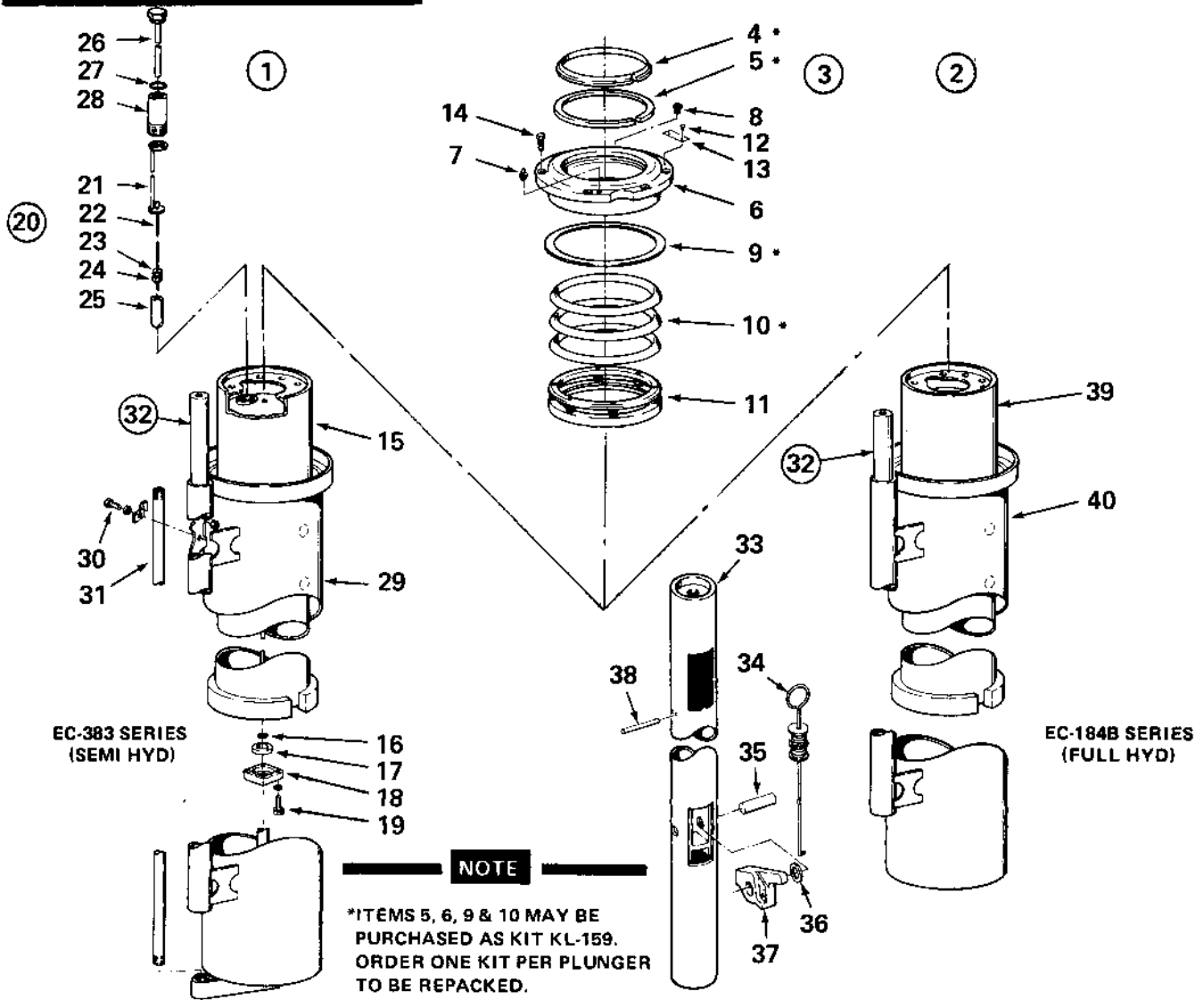
**PANZITTA SALES & SERVICE**  
 72 George Avenue  
 Wilkes-Barre, PA 18705  
 570-822-6720 800-822-6720  
 www.panzittasales.com

## NOTE

WHEN REPLACING ADAPTER SLEEVE ASS'Y. (ITEM 2) SHIMS (ITEMS 7 THRU 10) MUST BE USED AS A SET, OR PARTIAL SET FOR PROPER FIT OF NEW SLEEVE.

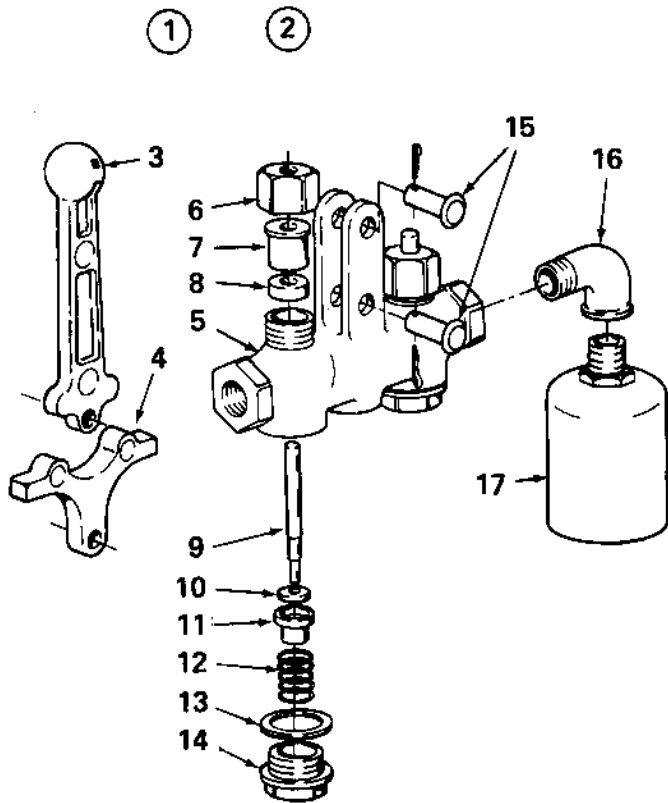
ITEM NO.	PART NO.	QTY	DESCRIPTION
1.	AS-25000	1	Superstructure Complete - Items 1 thru 15
2.	AS-24020	4	Adapter and Sleeve Assy.
3.	S-19977	2	- Clevis Pin
4.	S-19326	2	- Roll Pin 1/8 x 5/8
5.	M-2139	1	- Adapter High Pad
6.	M-2138	1	- Adapter Low Pad
7.	AS-24019	1	- Base and Sleeve
8.	S-25019	4	Shim Retainer
9.	S-25024	4	Shim 16 ga.
10.	S-25025	4	Shim 20 ga.
11.	S-25026	4	Shim 24 ga.
12.	S-22952	4	Roll Pin 3/8 x 1-1/2
13.	S-24906	4	Arm
14.	S-25027	4	12 pt. Capscrew 3/4 - 10 x 2-1/2
15.	S-16697	4	Hex Nut 3/4 - 10
16.	S-25615	4	Bearing Washer
17.	AS-24999	1	Bolster
18.	S-25259	9	12 pt. Capscrew 3/4 - 10 x 3
19.	S-25028	1	Nameplate
20.	S-3301	2	Capscrew 1/4 - 20 x 1/2
21.	S-18502	2	Lag Screw 5/16 x 1-3/4
	S-20109	2	Washer 5/16
	S-23636	2	Lag Shield
	S-23343	1	Chock
	S-16956	1	Adapter Adjusting Handle

# Tube & Plunger



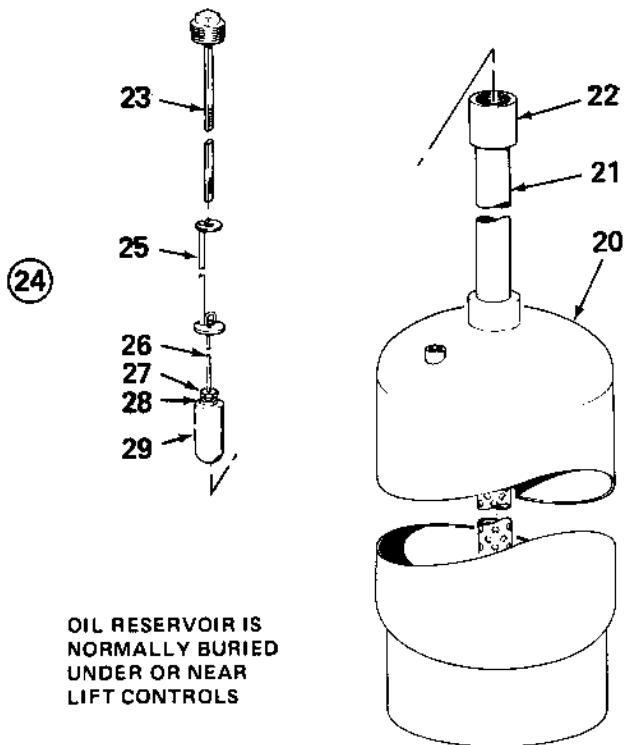
ITEM NO.	PART NO.	QTY	DESCRIPTION	ITEM NO.	PART NO.	QTY	DESCRIPTION
1.	AS-27898	1	Tube and Plunger Complete - EC-383	22.	S-15162	1	— Wire
2.	AS-27897	1	Tube and Plunger Complete - EC-184	23.	S-23263	1	— Capscrew
3.	AS-26260	1	Packing Gland Ass'y.	24.	S-21268	1	— Hex Nut 1/4 - 20
4.	S-17108	1	— Wiper Ring —See Note	25.	S-23265	1	— Float
5.	S-17118	1	— Wiper Packing —See Note	26.	AS-25592	1	Gauge Rod
6.	M-2114	1	— Gland	27.	S-24933	1	"O" Ring
7.	S-5096	1	— Grease Fitting	28.	S-25373	1	Spacer
8.	S-25646	1	— Relief Fitting	29.	AS-25286	1	Tube - EC-383
9.	S-6452	1	Gland Gasket	30.	S-1204	1	Capscrew 5/16 - 18 x 1
10.	S-6455	3	Chevron Packing —See Note	30.	S-1882	1	Lockwasher 5/16
11.	AS-11311	1	Packing Follower —See Note	30.	S-25309	1	Clamp
12.	S-4515	2	Drive Screw No. 2 x 3/16	30.	S-1636	1	Hex Nut 5/16 - 18
13.	S-27802	1	Warning Plate	31.	S-15213	1	Pipe - EC-38301
14.	S-23050	6	12 pt. Capscrew 5/8 - 11 x 1 1/4	32.	AS-25809	1	Lift Lock Ass'y.
15.	KL-168	1	Plunger (includes items 6, 7 & 8)	33.	AS-25807	1	— Leg
16.	S-15182	1	— "O" Ring	34.	AS-25808	1	— Trip Rod
17.	S-15157	1	— Tube Seal	35.	1080806	1	— Pin
18.	M-2110	1	— Seal Plate	36.	S-899	1	— Washer
19.	S-1325	4	— Lockwasher	37.	1080805	1	— Dog
19.	S-944	4	— Capscrew 3/8 - 16 x 1 1/4	38.	S-25810	2	— Rollpin
20.	AS-25624	1	— Float Hanger Ass'y.	39.	KL-164	1	Plunger (includes items 6, 7 & 8) EC-184
21.	AS-15163	1	— Hanger	40.	AS-25281	1	Tube - EC-184

# Wall Controls & Oil Reservoir

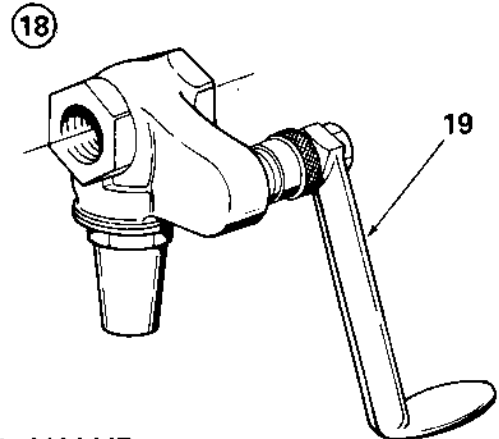


**AIR VALVE**

**RESERVOIR**



OIL RESERVOIR IS NORMALLY BURIED UNDER OR NEAR LIFT CONTROLS



**OIL VALVE**

ITEM NO.	PART NO.	QTY	DESCRIPTION
1.	AS-15928	1	Air Valve Ass'y. - 383 Series
2.	AS-14797	1	Air Valve Ass'y. - 184 Series
3.	M-1662	1	— Handle
4.	M-2170	1	— Rocker Arm - 383 Series
	M-2162	1	— Rocker Arm - 184 Series
5.	S-7176	1	— Air Valve
6.	M-1659	2	— Packing Nut
7.	S-8453	2	— Gland
8.	S-8454	2	— Packing
9.	S-8472	2	— Valve Stem
10.	S-8461	2	— Seat Washer
11.	S-8462	2	— Inlet Seat Washer
12.	S-8463	2	— Inlet Spring
13.	S-25697	2	— Gasket
14.	M-1658	2	— Bottom Cap
15.	S-8459	2	— Clevis Pin
	S-6829	2	— Cotter 3/32 x 3/4
16.	S-5865	1	Street Ell 1/2 x 90°
17.	S-20154	1	Muffler
18.	AS-14765	1	Oil Valve Ass'y. (See Note)
19.	S-21053	1	— Handle

**NOTE**

Oil valve item 18 is serviced as a complete unit only.

ITEM NO.	PART NO.	QTY	DESCRIPTION
20.	AS-28258	1	Reservoir
21.	S-25104	1	1-1/2" Pipe
22.	S-25393	1	1-1/2" Coupling
23.	AS-25118	1	Gauge Rod
24.	AS-28272	1	Float Hanger Assembly
25.	AS-28271	1	— Hanger
26.	S-15162	1	— Wire
27.	S-23263	1	— Capscrew
28.	S-21268	1	— Hex Nut 1/4-20
29.	S-23265	1	— Float

**PANZITTA SALES & SERVICE**

72 George Avenue

Wilkes-Barre, PA 18705

570-822-6720 800-822-6720

www.panzittasales.com