

PANZITTA SALES & SERVICE  
72 George Avenue  
Wilkes-Barre, PA 18705  
570-822-6720 800-822-6720  
www.panzittasales.com

# PARTS MANUAL

## EC-107C Series

## EC-108C Series

# MODELS

### Twin Post<sup>®</sup> Passenger Car and Medium Truck Lifts

Serial NO.s 4CC thru \_\_\_\_\_

Date Installed: \_\_\_\_\_ Installer: \_\_\_\_\_

Lift Serial Number: \_\_\_\_\_

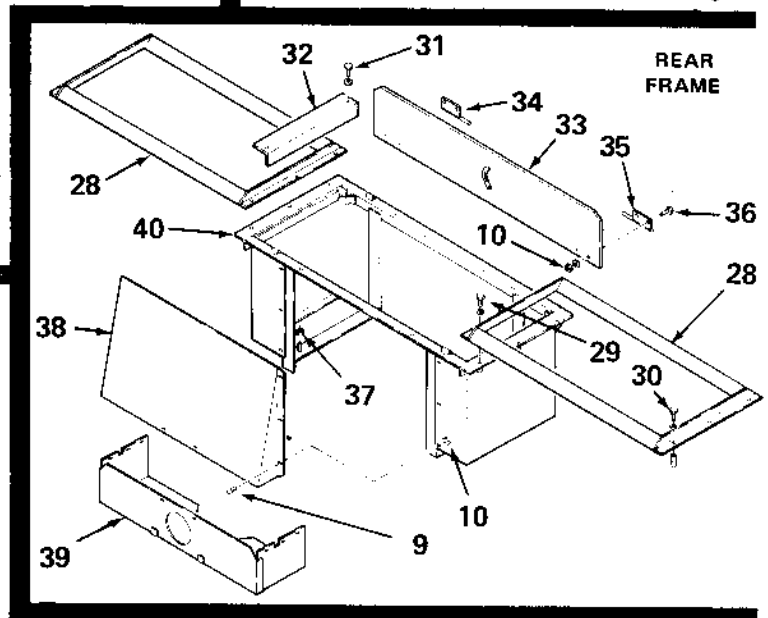
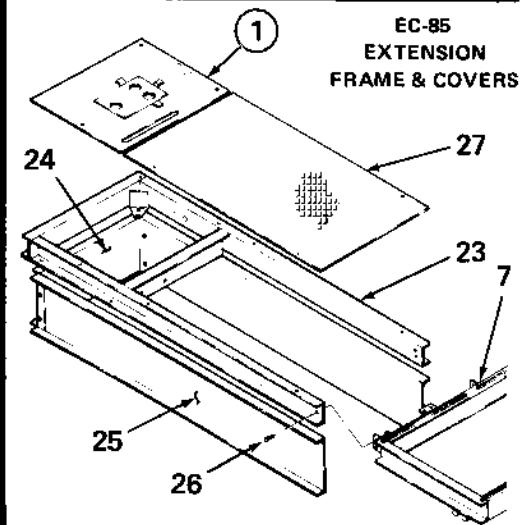
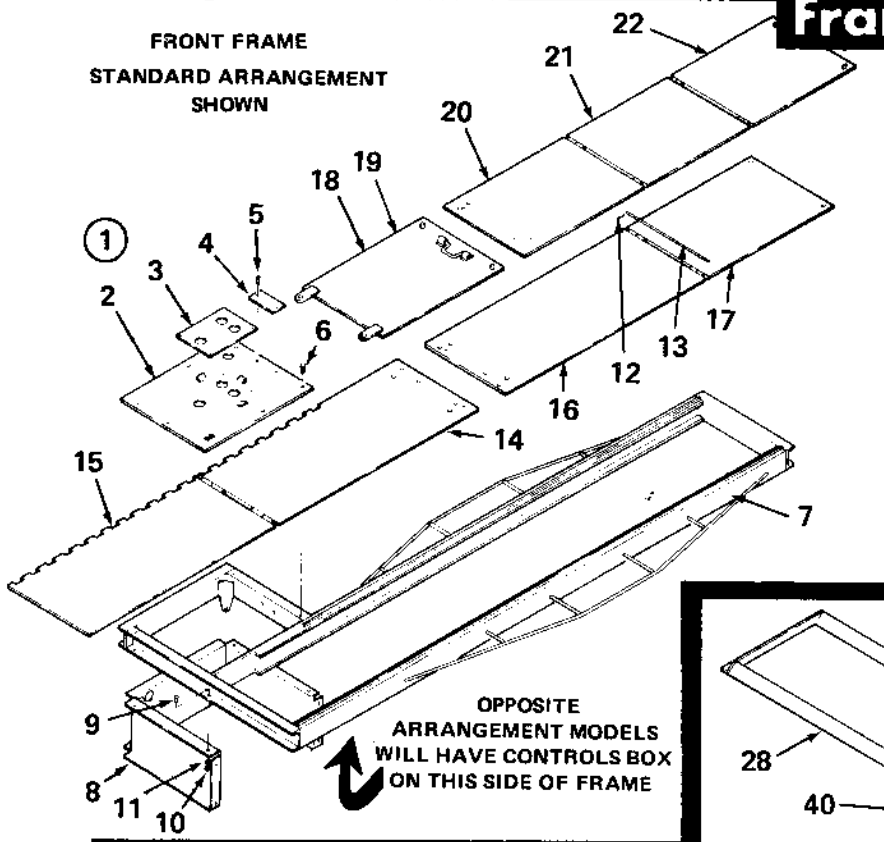
Model Number: \_\_\_\_\_

Other Special Equipment: \_\_\_\_\_

WE RESERVE THE RIGHT TO MAKE CHANGES IN DESIGN OR ADD  
IMPROVEMENTS WITHOUT INCURRING THE OBLIGATION TO  
MAKE SUCH CHANGES IN LIFTS PREVIOUSLY MANUFACTURED.

EC-107C,EC-108C.max

# Frames & Cover Doors

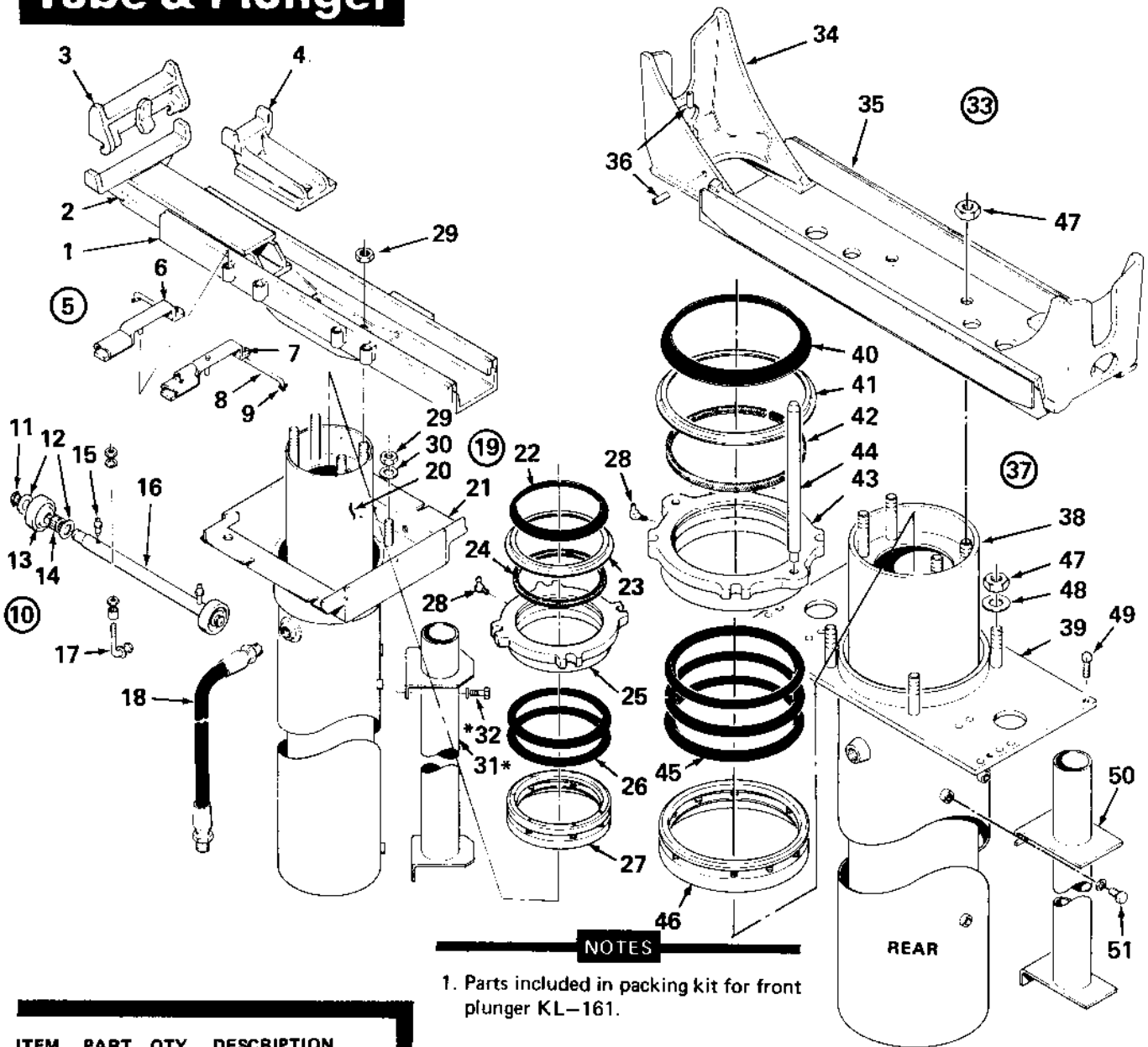


KEY: F/R F FRONT Std. STANDARD  
R REAR Opp. OPPOSITE

ITEM NO.	PART NO.	QTY	DESCRIPTION
1	AS-26856	1	Cover Ass'y-107 Std.
	AS-26778	1	Cover Ass'y-107 Opp.
	AS-26984	1	Cover Ass'y-107 Std. w/EC-85
	AS-26990	1	Cover Ass'y-107 Opp. w/EC-85
	AS-26694	1	Cover Ass'y-108 Std.
	AS-26779	1	Cover Ass'y-108 Opp.
	AS-26987	1	Cover Ass'y-108 Std. w/EC-85
	AS-26993	1	Cover Ass'y-108 Opp. w/EC-85
	2	S-25854	1
AS-28003		1	- Cover-107 Opp.
AS-27258		1	- Cover-107 Std. w/EC-85
AS-27260		1	- Cover-107 Opp. w/EC-85
S-25855		1	- Cover-108 Std.
AS-28004		1	- Cover-108 Opp.
AS-27259		1	- Cover-108 Std. w/EC-85
AS-27261		1	- Cover-108 Opp. w/EC-85
3		S-12260	1
	S-13441	1	- Nameplate-107 Opp.
	S-12261	1	- Nameplate-108 Std.
	S-13442	1	- Nameplate-108 Opp.
4	1081052	1	- A.L.I. Plate
	S-4515	6	- Drive Screw No. 2 x 3/16
5	S-11324	3	Capscrew 3/8-24 x 1
	AS-26800	1	Front Frame-Std.
7	AS-26779	1	Front Frame-Opp.
	AS-28225	1	Front Frame-Std. w/EC-85
	AS-28253	1	Front Frame-Opp. w/EC-85
	S-5833	1	Control Box Form-Std.
8	S-15641	1	Control Box Form-Opp.
	S-6656	4/14	Mach. Scraw 1/4-20 x 3/4
10	S-21268	4/22	Hex Nut 1/4-20
	S-19909	4	Washer 13/32 I.D.
12	S-275	2	Cotter 1/8 x 3/4
	S-5977	1	Hinge Pin
14	AS-28017	1	(40") Front Cover Plt.-Std.
	AS-28035	1	(40") Front Cover Plt.-Opp.
	AS-28018	1	(40") Front Sliding Plt.-Std.
	AS-28037	1	(40") Front Sliding Plt.-Opp.
16	AS-28019	1	(40") Rear Cover Plt.
	AS-28020	1	(24") Rear Sliding Plt.
18	AS-20670	1	(36") Carry Around Plt.-Std.
	AS-20746	1	(36") Carry Around Plt.-Opp.
19	AS-20669	1	(24") Carry Around Plt.-Std.
	AS-20748	1	(24") Carry Around Plt.-Opp.

ITEM NO.	PART NO.	QTY	DESCRIPTION
20.	AS-28038	1	(23-5/16") Folding Plt.
21.	AS-28027	1	(20-1/16") Folding Plt.
22.	AS-28026	1	(19-3/8") Folding Plt.
23.	AS-15392	1	Extension Frame-Std.
	AS-27014	1	Extension Frame-Opp.
24.	S-21292	1	End Panel-Std.
	S-25448	1	End Panel-Opp.
25.	S-21293	2	Side Panel
	S-105	4	Capscrew 3/8-16 x 1
26.	S-595	4	Hex Nut 3/8-16
	S-6417	1	Extension Cover
28.	AS-27713	2	Wheel Chock
	S-7403	6	Capscrew 1/2-13 x 1-1/4
29.	S-512	6	Lockwasher 1/2
	S-27464	6	Lag Bolt x 3-1/2
	S-18432	6	Washer
	S-27463	6	Lag Shield
31.	S-105	4	Capscrew 3/8-16 x 1
	S-1325	4	Lockwasher 3/8
32.	1080866	2	Filler Angle
	1080869	2	Plunger Door (length 37-1/2" lg.)
34.	AS-23748	2	R. Hinge
	AS-23749	2	L. Hinge
36.	S-21321	8	Capscrew 1/4-20 x 3/4
	S-21318	8	Flat Washer 9/32 I.D.
37.	S-508	3	Hex Nut 1/2-13
38.	S-26626	1	Front Form
39.	AS-26624	1	Conduit Form
40.	1080862	1	Rear Frame

# Tube & Plunger



## NOTES

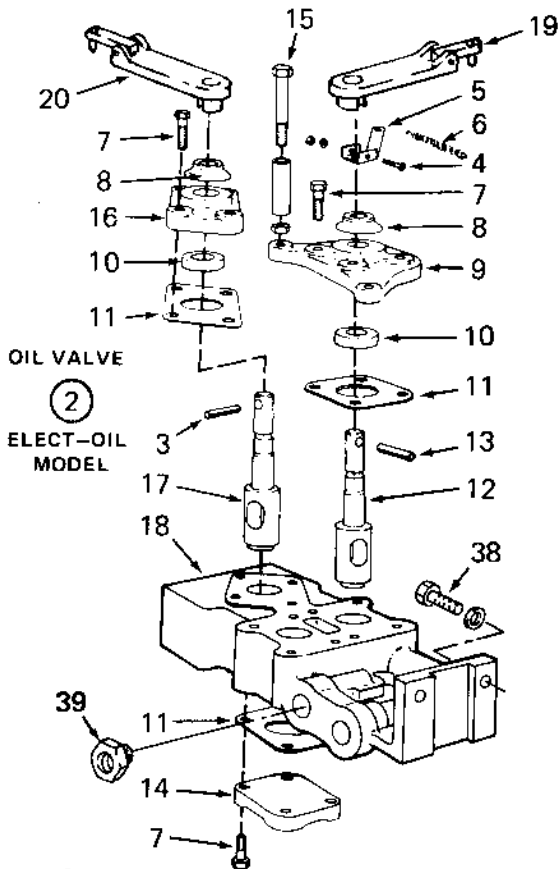
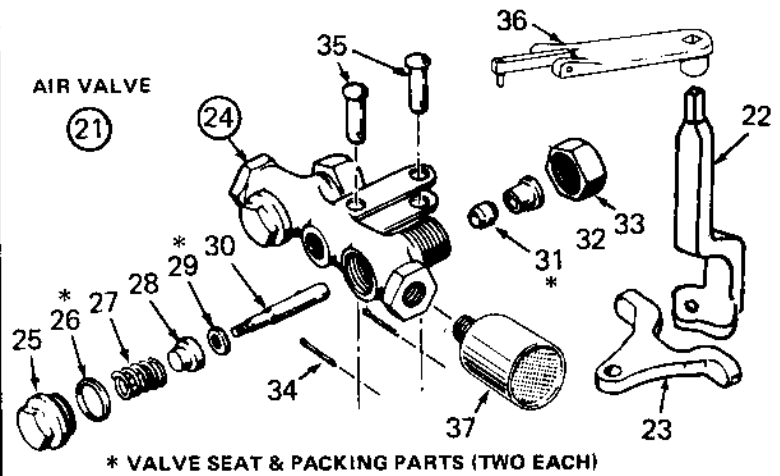
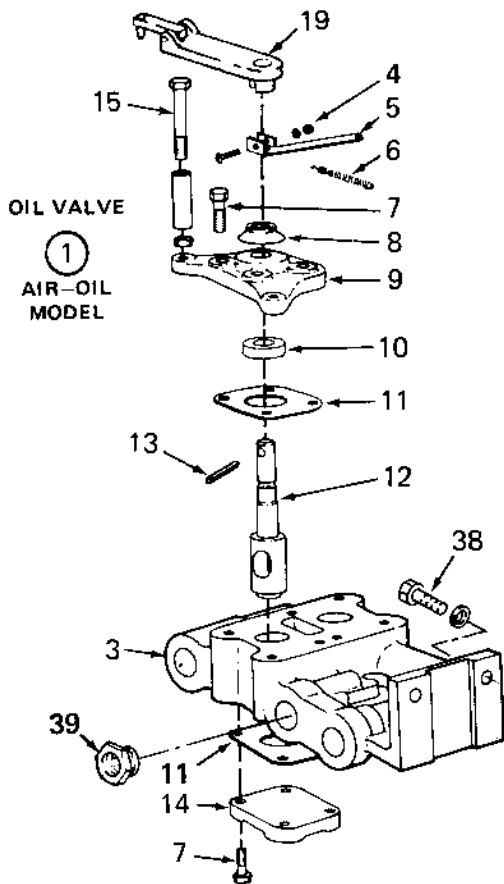
1. Parts included in packing kit for front plunger KL-161.
2. Parts included in packing kit for rear plunger KL-160.

ITEM NO.	PART NO.	QTY	DESCRIPTION
1.	AS-26670	1	Front Saddle
2.	AS-17739	2	Standard Adapter
3.	A-2086	2	Adapter Extension Ass'y
4.	M-2263	2	Straight Axle Adapter
5.	AS-16624	2	Spotting Device - Std Models
	AS-19050	2	Spotting Device - With EC-85
6.	AS-16454	1	Lever - Std Model
	AS-18966	1	Lever - With EC-85
7.	S-14089	1	Rollpin 1/8 x 7/8
8.	S-18894	1	Link
9.	S-225	1	Cotter 1/8 x 3/4
10.	AS-26839	2	Axle Assembly
11.	S-26836	2	Retaining Ring
12.	S-11249	4	Washer
13.	M-1324	2	Wheel
14.	S-16422	2	Bearing
15.	S-19704	2	Grease Fitting
16.	S-26838	1	Axle
	S-25514	4	Bolt "L" Shaped
	S-19909	4	Washer
17.	S-26277	4	Spacer
	S-1934	4	Jam Nut 3/8-16
	S-595	4	Hex Nut 3/8-16
	S-1325	4	Lockwasher 3/8
18.	S-7269	1	Hose

ITEM NO.	PART NO.	QTY	DESCRIPTION	ITEM NO.	PART NO.	QTY	DESCRIPTION
19.	AS-25530	1	Front Tube & Plunger Ass'y	37.	AS-26345	1	Rear Tube & Plunger Ass'y
20.	KL-129	1	Plunger - Incl's Item 25	38.	KL-182	1	Plunger - Incl's Item 43
21.	AS-25520	1	Tube & Carriage	39.	AS-26342	1	Tube
22.	S-12977	1	Wiper Ring - See Note 1	40.	S-13145	1	Wiper Ring - See Note 2
23.	S-5826	1	Wiper Ring Retainer	41.	S-6453	1	Retaining Ring
24.	S-5885	1	Packing - See Note 1	42.	S-6456	1	Wiper Packing - See Note 2
25.	M-1551	1	Front Packing Gland	43.	M-1386	1	Gland
26.	S-5857	2	Chevron Packing - See Note 1	44.	S-26665	2	Support Rod
27.	A-1325	1	Packing Follower	45.	S-6455	3	Chevron Packing - See Note 2
28.	S-13121	1	Grease Fitting	46.	AS-11311	1	Packing Follower
29.	S-9249	8	Hex Nut 5/8-11	47.	S-2350	8	Hex Nut 3/4-10
30.	S-21137	4	Washer 5/8	48.	S-6037	4	Washer 53/64
*31.	AS-25524	1	Guide Tube - Front	49.	S-1706	2	Set Screw 1/2 x 3/4
*32.	S-3292	3	Cap screw 1/2-13 x 7/8	50.	AS-26335	1	Guide Tube
	S-512	3	Lockwasher 1/2	51.	S-722	3	Cap screw 1/2-13 x 1
33.	1080820	1	Rear Saddle Ass'y		S-512	3	Lockwasher 1/2
34.	M-2318	2	Adapter				
35.	1080819	1	Saddle				
36.	S-18835	4	Rollpin 3/8 x 1-1/2				

\* FOR MANUAL LIFT LOCK ONLY

# Control Valves



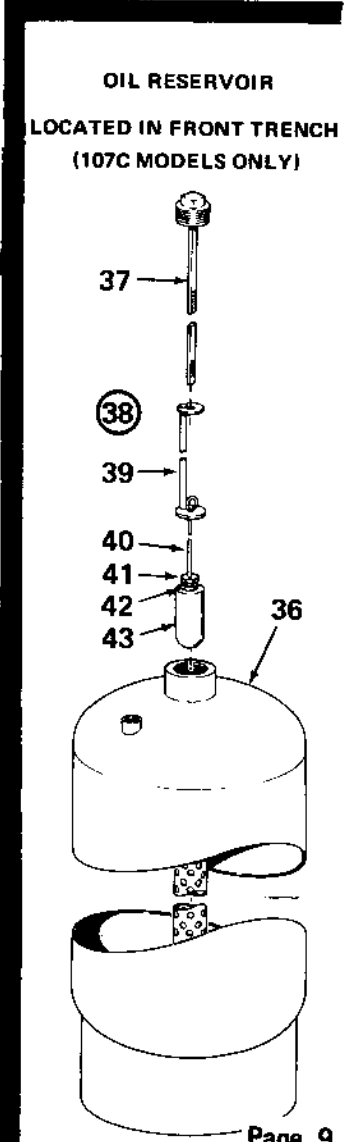
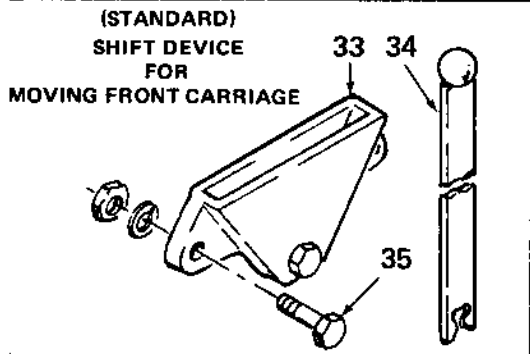
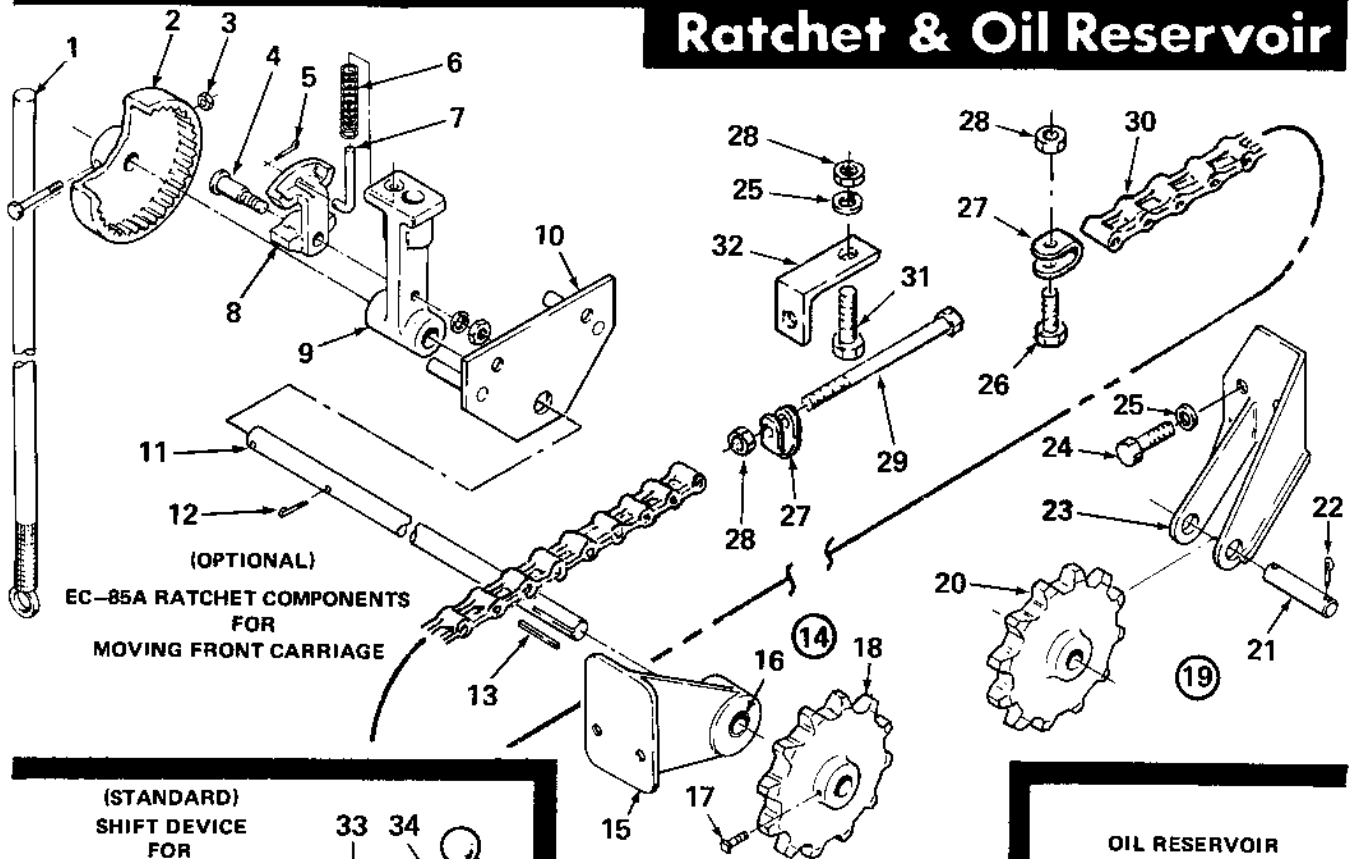
KEY: A/E A Air-Oil Model  
E Elec-Oil Model

ITEM NO.	PART NO.	QTY A/E	DESCRIPTION
1.	A-1888	1	Oil Valve - Std Cont - Items 3 thru 15
	AS-15674	1	Oil Valve - Opp Cont - Items 3 thru 15
2.	A-1889	1	Oil Valve - Std Cont - Items 4 thru 18
	AS-15675	1	Oil Valve - Opp Cont - Items 4 thru 18
3.	M-1841	1	- Valve Body
4.	S-11671	2/2	- Mach. Screw 10-32 x 1-1/4
	S-7074	2/2	- Lockwasher 3/16
	S-7483	2/2	- Hex Nut 10-32
5.	AS-12205	2/2	- Spring Lever
6.	S-11143	2/2	- Spring
7.	S-1204	16/24	- Capscrew 5/16-18 x 1
8.	S-18396	2/3	- Protector Cap
9.	M-2072	2/2	- Flange
10.	S-18957	2/3	- Seal
11.	S-11299	4/6	- Gasket
12.	S-11116	2/2	- Control Core - See Note
13.	S-15867	2/3	- Roll Pin (1/4 O.D. x 1)
14.	M-1845	2/3	- Valve Cap
15.	S-12141	2/6	- Capscrew 5/16-24 x 2-1/4
	S-11146	2/6	- Stop Hose
	S-7927	2/6	- Hex Nut 5/16-24
16.	M-2074	1	- Flange
17.	M-1830	1	- Intake Control Core - See Note
18.	M-1842	1	- Body
19.	A-1871	2/2	Valve Handle
20.	AAS-11672	1	Feed Valve Handle
21.	A-1664	1	Air Valve
22.	M-2200	1	- Crank
23.	M-2162	1	- Rocker Arm
24.	S-7176	1	- Valve
25.	1658	2	- Cap
26.	* S-25697	2	- Gasket
27.	S-8463	2	- Spring
28.	S-8462	2	- Seat - Base
29.	* S-8461	2	- Seat - Rubber
30.	S-8472	2	- Stem
31.	* S-8454	2	- Stem Packing
32.	S-8453	2	- Gland
33.	1659	2	- Packing Nut
34.	S-6829	2	- Cotter 3/32 x 3/4
35.	S-8459	2	- Clevis Pin
36.	AS-20940	1	Valve Handle
37.	S-20154	1	Muffler
38.	S-7403	2/2	Capscrew 1/2-13 x 1-1/4
	S-612	2/2	Lockwasher 1/2
39.	S-3481	1/1	Reducing Bushing 1" to 3/4"

## NOTE

Standard core size for item 12 is 1.250 and item 17 is 1.500. In some cases oversize cores are used and dimensions are 1.300 and 1.550. When ordering parts add "OS" to part numbers when core is oversize.

# Ratchet & Oil Reservoir

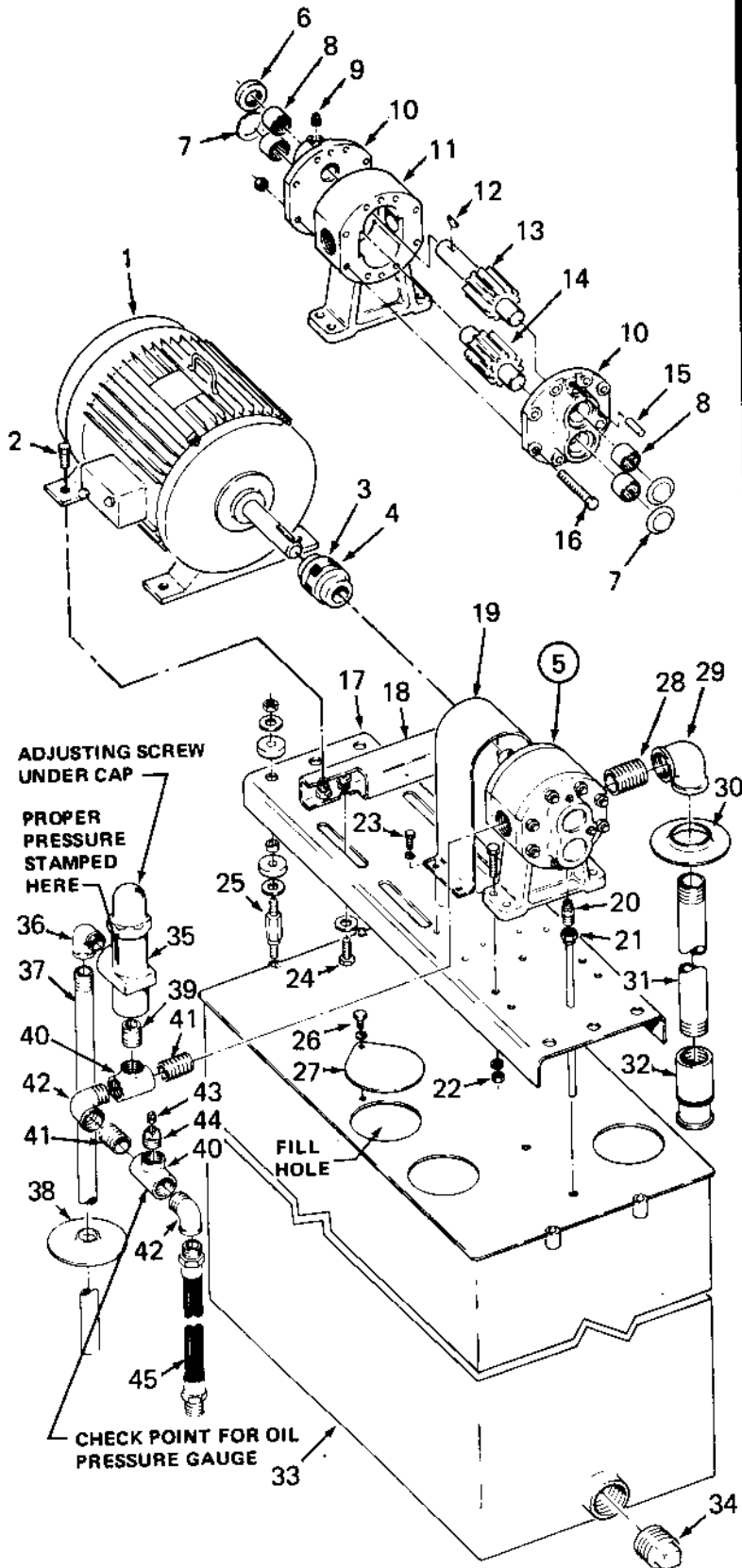


ITEM NO.	PART NO.	QTY	DESCRIPTION
1.	AS-16486	1	Shift Lever
2.	M-2313	1	Wheel
3.	S-27200	1	Capscrew 5/16-24 x 2-1/2
	S-1863	1	Hex Nut 5/16-24
4.	S-7382	1	Pin
	S-1325	1	Lockwasher 3/8
	S-595	1	Hex Nut 3/8-16
5.	S-380	1	Cotter 3/32 x 1/2
6.	1083879	1	Spring
7.	S-8464	1	Guide Pin
8.	M-2199	1	Dog
9.	M-2314	1	Dog Lever
10.	AS-7392	1	Hanger Plate - 108 Std & Opp
	AS-15405	1	Hanger Plate - 107 Std
	AS-22010	1	Hanger Plate - 107 Opp
11.	S-28215	1	Shaft - Std. (48-1/2" lg.)
	S-27798	1	Shaft - Opp (59" lg.)
12.	S-107	1	Cotter 1/8 x 1
13.	7389	1	Key
14.	AS-26408	1	Front Hanger Ass'y
15.	M-2315	1	- Hanger
16.	S-6034	1	- Bearing
17.	S-7221	1	Sq. Hd. Set Screw 3/8 x 1
18.	M-1574	1	Front Sprocket
19.	AS-28204	1	Rear Sprocket Hanger Ass'y
20.	M-1573	1	- Sprocket
21.	S-28216	1	- Pin
22.	S-107	2	- Cotter
23.	AS-28219	1	- Hanger

ITEM NO.	PART NO.	QTY	DESCRIPTION
24.	S-722	4	Capscrew 1/2-13 x 1
25.	S-512	5	Lockwasher 1/2
26.	S-6559	1	Capscrew 1/2-13 x 2-1/4
27.	S-7391	2	Chain Fastener
28.	S-508	4	Hex Nut 1/2-13
29.	AS-20636	1	Adjusting Bolt
30.	S-15409	1	Chain - State Frame Length
31.	S-7403	1	Capscrew 1/2-13 x 1-1/4
32.	S-15408	1	Anchor Lug
33.	A-1834	1	Shift Lever Socket Ass'y
34.	AS-11039	1	Shift Lever
35.	S-944	2	Capscrew 3/8-16 x 1-1/4
	S-1325	2	Lockwasher 3/8
	S-595	2	Hex Nut 3/8-16
36.	1080279	1	Oil Reservoir
37.	AS-25119	1	Gauge Rod
38.	AS-28272	1	Hanger Ass'y
39.	AS-28271	1	- Hanger
40.	S-15162	1	- Wire
41.	S-23263	1	- Cap screw
42.	S-21268	1	- Hex Nut 1/4-20
43.	S-23265	1	- Float

# Power Unit

(108C MODELS ONLY)



ITEM NO.	PART NO.	QTY	DESCRIPTION
1.			Electric Motor - Prices on request
2.	S-105	4	Capscrew 3/8-16 x 1
	S-3012	4	Lockwasher 3/8
	S-595	4	Hex Nut 3/8-16
3.	AS-20500	1	Coupling (1-3/8 Shaft)
	AS-5968	1	Coupling (1-1/8 Shaft)
4.	S-8547	1	- Fiber Spider
5.	AS-14418	1	Pump Ass'y
6.	S-14823	1	- Oil Seal
7.	S-1183	3	- Welsh Plug
8.	S-22390	4	- Bearing
9.	S-1805	2	- Pipe Plug 1/8
10.	M-2230	2	- Bearing Cap
11.	M-1995	1	- Pump Body
12.	S-2347	1	- Woodruff Key
13.	AS-14420	1	- Drive Gear
14.	AS-14423	1	- Driven Gear
15.	S-24847	4	- Dowel Pin
16.	S-14419	8	- Capscrew 3/8-24 x 4-1/2
	S-7573	8	- Hex Nut 3/8-24
17.	S-19673	1	Motor Support Frame
18.	S-15529	2	Motor Support
19.	S-14827	1	Shield
20.	S-2007	2	Tube Connector
21.	S-19710	2	Oil Drain Tube
22.	S-700	4	Capscrew 1/2-13 x 1-3/4
	S-612	4	Lockwasher 1/2
	S-12540	4	Hex Nut 1/2-13
23.	S-14098	4	Capscrew 3/8-16 x 1/2
	S-3277	4	Lockwasher 3/8
	S-3291	4	Capscrew 1/2-13 x 1-1/4
	S-1565	4	Washer 9/16 I.D.
24.	S-612	4	Lockwasher 3/8
	S-12540	4	Hex Nut 1/2-13
	S-19674	4	Mounting Stud
	S-1565	8	Washer 9/16 I.D.
	S-18999	8	Spacer
	S-15655	4	Damper
	S-12540	4	Hex Nut 1/2-13
	S-175	1	Capscrew 3/8-16 x 3/4
26.	S-3277	1	Lockwasher 3/8
	S-11318	1	Hole Cover
28.	S-12175	1	Nipple 1-1/2 x 1-3/4
29.	S-20955	1	Elbow 1-1/2 x 90°
30.	S-20959	1	Pipe Collar
31.	S-20966	1	Pipe 1-1/2 x 37-5/8
32.	AS-20957	1	Foot Valve
33.	AS-19685	1	Reservoir (120 Gal EC-61)
	AS-19690	1	Reservoir (170 Gal EC-62)
	AS-25564	1	Reservoir (170 Gal EC-66)
34.	S-7359	1	Pipe Plug
35.	AS-22533	1	Pressure Relief Valve (See Note)
36.	S-5942	1	Street Elbow 1 x 90°
37.	S-19695	1	Pipe 1 x 45
38.	S-6225	1	Pipe Collar
39.	S-19742	1	Nipple 1 x 1-1/2
40.	S-17222	2	Reducing Tee 1-1/4 x 1-1/4 x 1
41.	S-19672	2	Nipple 1-1/4 x 1-5/8
42.	S-5944	2	Street Elbow 1-1/4 x 90°
43.	S-1836	1	Pipe Plug 1/4
44.	S-15461	1	Gauge Outlet Plug
45.	S-13801	1	Hose

## NOTE

Pressure relief valve (item 35) serviced as a complete unit only.

**PANZITTA SALES & SERVICE**  
 72 George Avenue  
 Wilkes-Barre, PA 18705  
 570-822-6720 800-822-6720  
 www.panzittasales.com