

PARTS MANUAL

EC-105B Series

EC-106B Series

MODELS

Twin Post[®] Heavy Duty Lifts

Effective for Serial No.s 4CC thru _____

Date Installed _____ Installer: _____

Lift Serial Number _____

Model Number _____

Other Special Equipment _____

WE RESERVE THE RIGHT TO MAKE CHANGES IN DESIGN OR
ADD IMPROVEMENTS WITHOUT INCURRING THE OBLIGATION
TO MAKE SUCH CHANGES IN LIFTS PREVIOUSLY MANUFACTURED

PANZITTA SALES & SERVICE

72 George Avenue

Wilkes-Barre, PA 18705

570-822-6720 800-822-6720

www.panzittasales.com

WEAVER[®]

Subsidiary of Walter Kidde & Company, Inc.

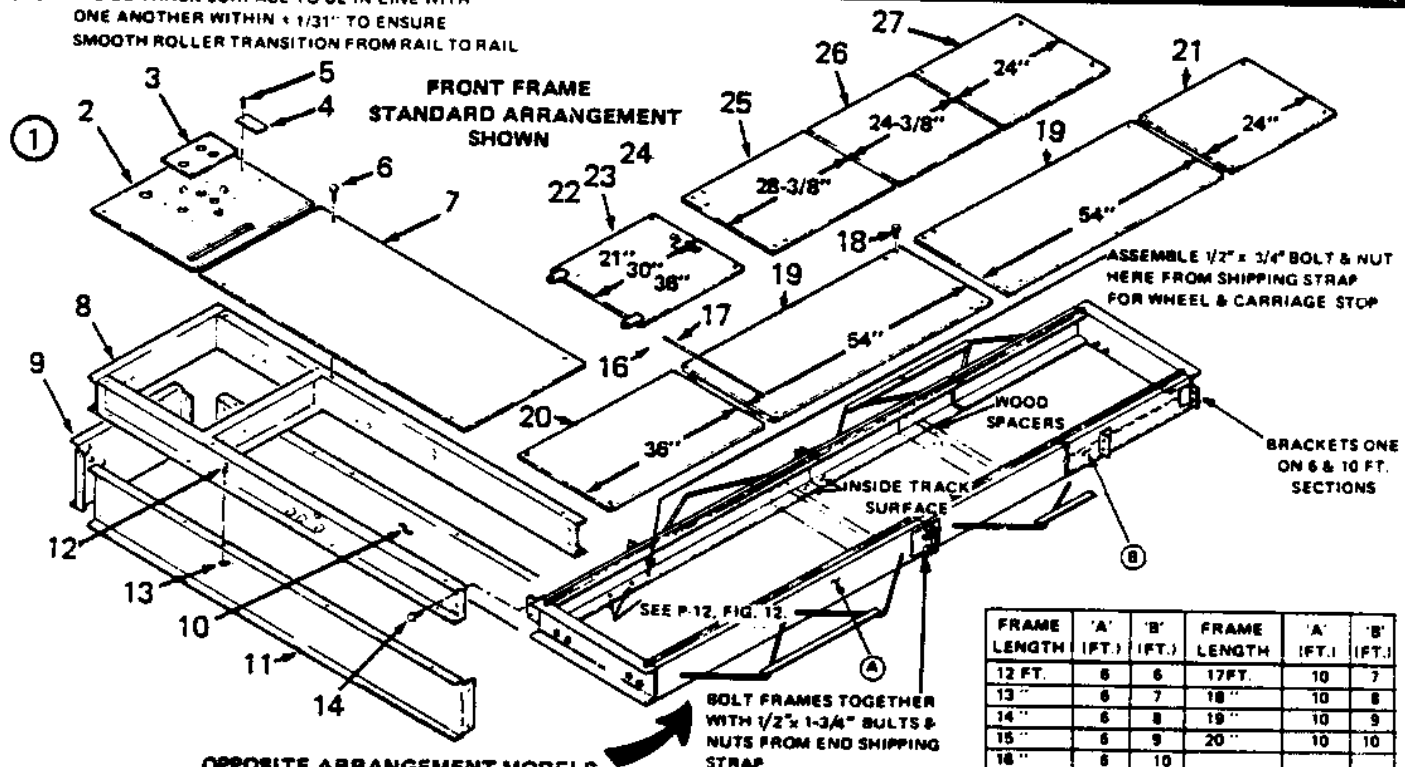
KIDDE

ords Mill Road
Paris, Kentucky 40361
(606) 987-2240

Frames & Cover Doors

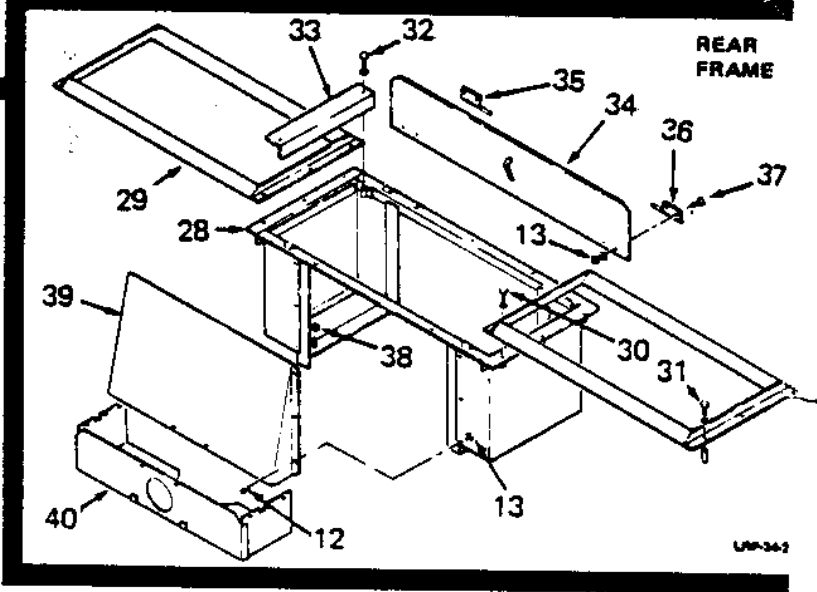
REF PAGE 8, FIG 6, OF INSTALLATION INSTRUCTIONS FOR INSTALLATION METHOD

NOTE: INSIDE TRACK SURFACE TO BE IN LINE WITH ONE ANOTHER WITHIN $\pm 1/31"$ TO ENSURE SMOOTH ROLLER TRANSITION FROM RAIL TO RAIL



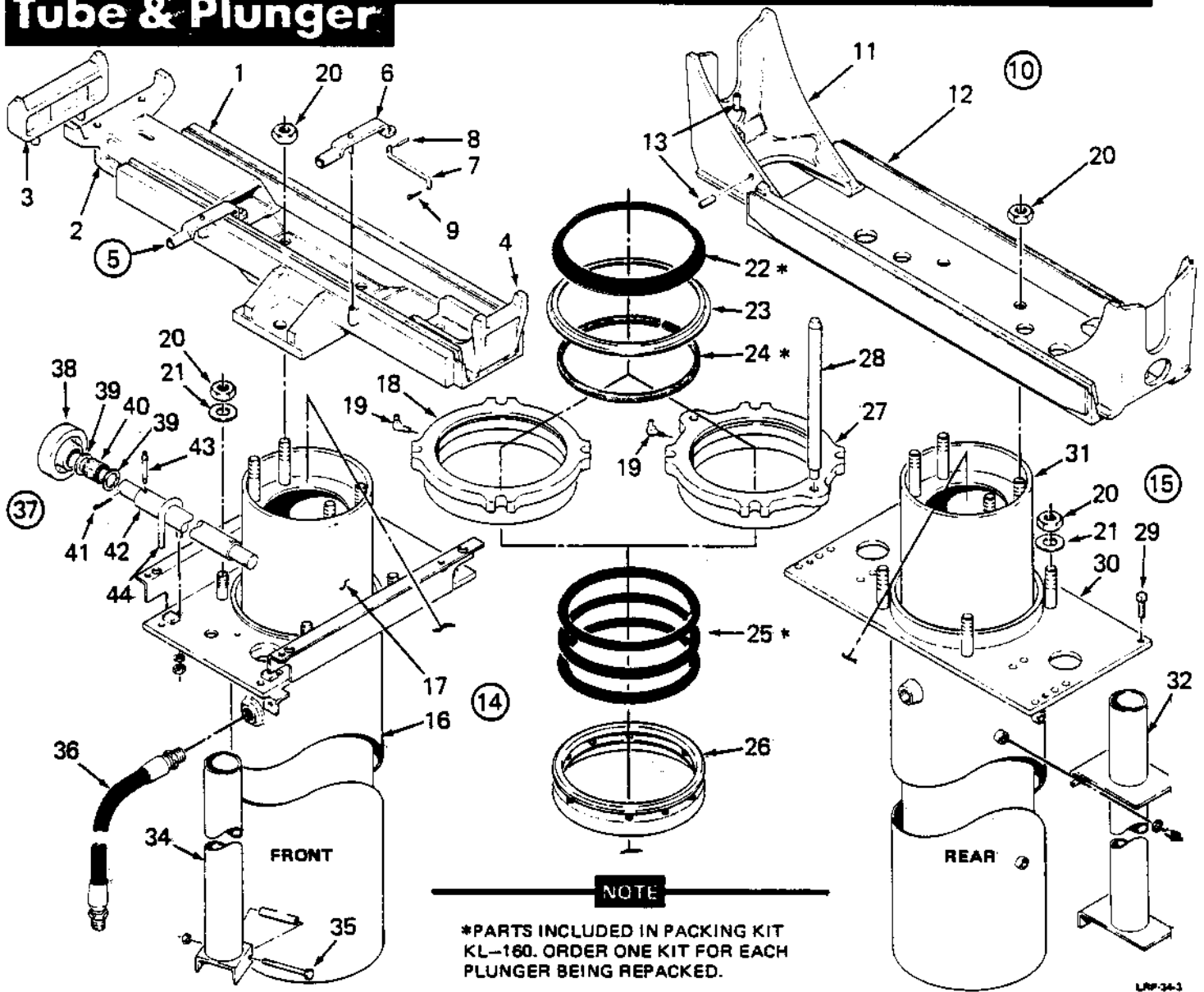
OPPOSITE ARRANGEMENT MODELS WILL HAVE ITEMS 1 THRU 14 ON THIS SIDE OF FRAME

ITEM NO.	PART NO.	QTY	DESCRIPTION
1.	AS-26393	1	Cover Ass'y-105 Std
	AS-26455	1	Cover Ass'y-105 Opp
	AS-23832	1	Cover Ass'y-106 Std
	AS-26459	1	Cover Ass'y-106 Opp
2.	S-26392	1	- Cover-105 Std
	S-26451	1	- Cover-105 Opp
	S-23829	1	- Cover-106 Std
	S-26458	1	- Cover-106 Opp
3.	S-12260	1	- Nameplate-105 Std
	S-13441	1	- Nameplate-105 Opp
	S-12261	1	- Nameplate-106 Std
	S-13442	1	- Nameplate-106 Opp
4.	1081062	1	- A.L.I. Plate
5.	S-4515	6	- Drive Screw No. 2 x 3/16
6.	S-11324	7	Capscrew 3/8-24 x 1
7.	1083191	1	Extension Cover - Std. & Opp.
	1083192	1	Extension Cover - EC-32
8.	AS-28320	1	Control Box Frame-Std
	AS-28328	1	Control Box Frame-Opp
9.	S-27697	1	End Panel-Std
	S-27698	1	End Panel-Opp
10.	S-28317	1	Panel-Rear
11.	S-28316	1	Panel-Front
12.	S-6656	14/14	Mech. Screw 1/4-20 x 1/2
13.	S-21268	14/22	Hex Nut 1/4-20
14.	S-105	4	Capscrew 3/8-16
	S-595	4	Hex Nut 3/8-16
15.	AS-6408	1	Front Frame-Std
	AS-11335	1	Front Frame-Opp
16.	S-1042	4	Cotter 3/32 x 5/8
17.	S-9707	2	Hinge Pin
18.	S-722	4	Capscrew 1/2-13 x 1
19.	1080848	2	(54") Front Cover Plate
20.	AS-27704	1	(36") Front Sliding Plate
21.	AS-27706	1	(24") Rear Sliding Plate
22.	AS-27707	1	(21") Carry Around Plate
23.	AS-16125	1	(30") Carry Around Plate
24.	AS-20881	1	(36") Carry Around Plate



ITEM NO.	PART NO.	QTY	DESCRIPTION
25.	AS-27573	1	(24-3/8") Folding Plate
27.	AS-27575	1	(24") Folding Plate
28.	1080862	1	Rear Frame
29.	AS-27713	2	Wheel Chock
30.	S-7403	6	Capscrew 1/2-13 x 1-1/4
	S-512	6	Lockwasher 1/2
	S-27464	6	Lag Bolt 1/2 x 3-1/2
31.	S-18432	6	Washer
	S-27463	6	Lag Shield
32.	S-105	4	Capscrew-BM Models 3/8-16 x 1
	S-1325	4	Lockwasher-BM Model 3/8
33.	1080866	2	Filler Angle-BM Models
34.	1080865	2	Plunger Door-B Model (length 43-1/2" long)
	1080869	2	Plunger Door-BM Model (length 37-1/2" long)
35.	AS-23748	2	R. Hinge
36.	AS-23749	2	L. Hinge
37.	S-21321	8	Capscrew 1/4-20 x 3/4
	S-21318	8	Flat Washer 9/32 I.D.
38.	S-508	3	Hex Nut 1/2-13
39.	S-26626	1	Front Fern

Tube & Plunger



NOTE

*PARTS INCLUDED IN PACKING KIT KL-160. ORDER ONE KIT FOR EACH PLUNGER BEING REPACKED.

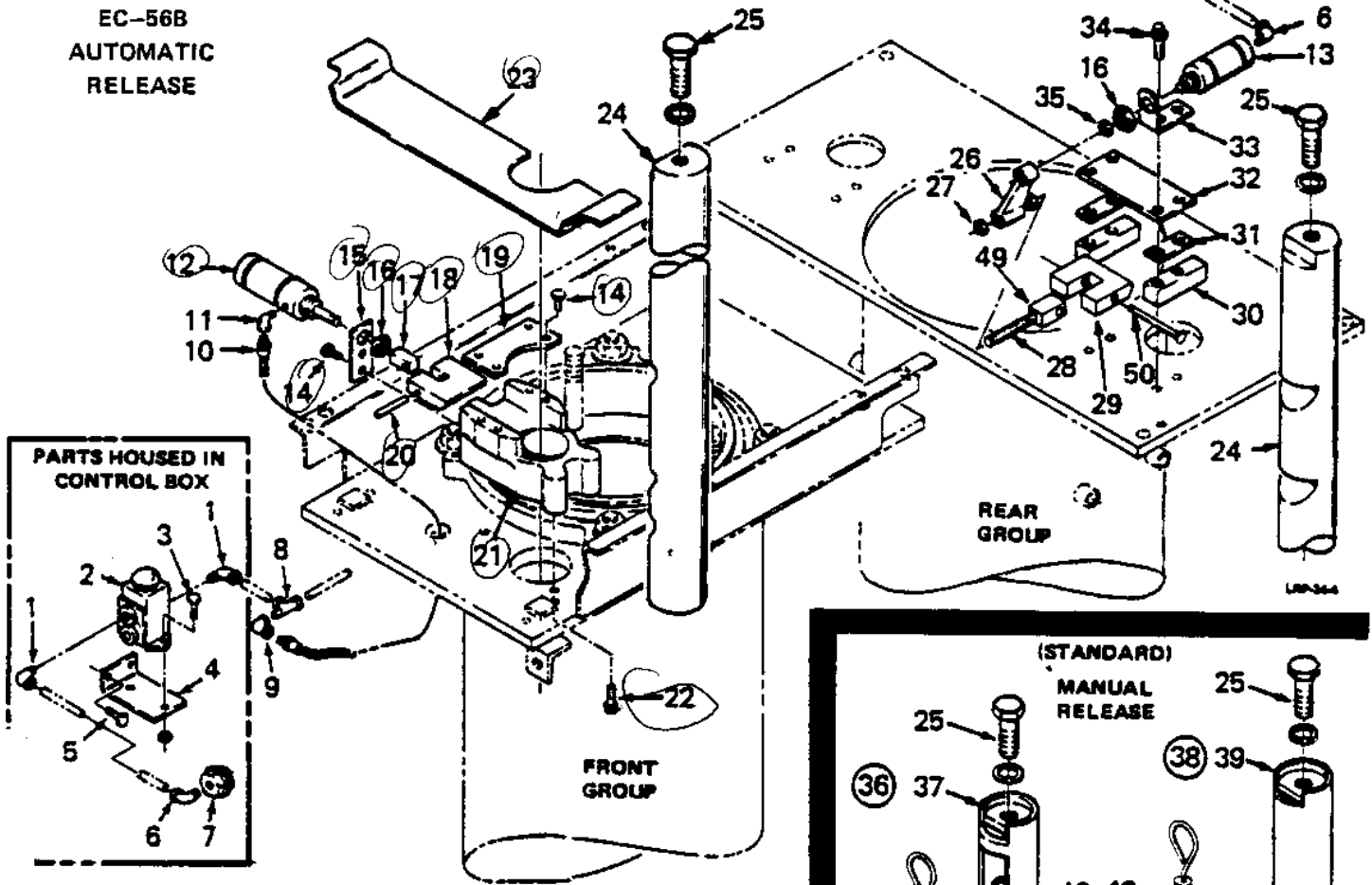
LPP-34-3

F Front

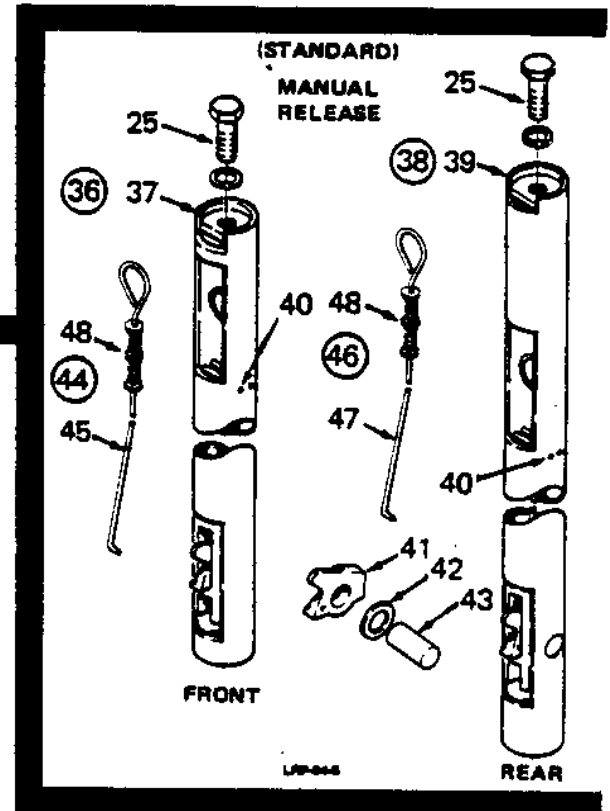
ITEM NO.	PART NO.	QTY F/R	DESCRIPTION
1.	1080846		Front Saddle
2.	M-2152		Standard Adapter
3.	AS-20702		Adapter Extension
4.	2202		Straight Axle Adapter
5.	AS-16625		Lever Link Ass'y
6.	AS-17614		- Lever
7.	S-18894		- Link
8.	S-14089		- Rollpin 1/8 x 7/8
9.	S-275		- Cotter 1/8 x 3/4
10.	1080827		Rear Saddle Ass'y (B Model)
	1080820		Rear Saddle Ass'y (BM Model)
11.	M-2318		- Adapter
12.	1080826		- Saddle (B Model)
	1080871		- Saddle (BM Model)
13.	S-18835		- Rollpin 3/8 x 1-1/2
14.	1080844		Front Tube & Plunger-Incl's Items 16 thru 26
15.	AS-26345		Rear Tube & Plunger-Incl's Items 19 thru 31
16.	1080840		- Tube-Front
17.	KL-181		- Plunger-Front -Incl's Item 18
18.	M-1402		- Gland-Front
19.	S-13121	1/1	- Grease Fitting
20.	S-2350	8/8	- Hex Nut 3/4-10
21.	S-6037	4/4	- Washer 53/64 I.D.
22. *	S-13145	1/1	- Wiper Ring - See Note
23.	S-6453	1/1	- Retainer Ring

ITEM NO.	QTY F/R	DESCRIPTION
24. *	1/1	- Wiper Packing - See Note
25. *	3/3	- Chevron Packing - See Note
26.	1/1	- Packing Follower
27.	1	- Gland-Rear
28.	2	- Support Rod
29.	2	- Set Screw 1/2 x 3/4
30.	1	- Tube-Rear
31.	1	- Plunger-Rear-Incl's Item 27
32.	1	Guide Tube-Rear
33. {	3	Capscrew 1/2-13 x 1
	3	Lockwasher 1/2
34.	1	Guide Tube-Front
35. {	1	Capscrew 3/8-16 x 4-1/2
	1	Hex Nut 3/8-16
36.	1	Hose
37.	2	Axle Ass'y
38.	2	- Wheel
39.	4	- Washer 19/32 I.D.
40.	2	- Bearing
41.	2	- Cotter 3/16 x 2
42.	1	- Axle
43.	2	- Grease Fitting
44. {	4	U-Bolt
	8	Hex Nut 1/2-20
	8	Lockwasher 1/2

(OPTIONAL)
EC-56B
AUTOMATIC
RELEASE

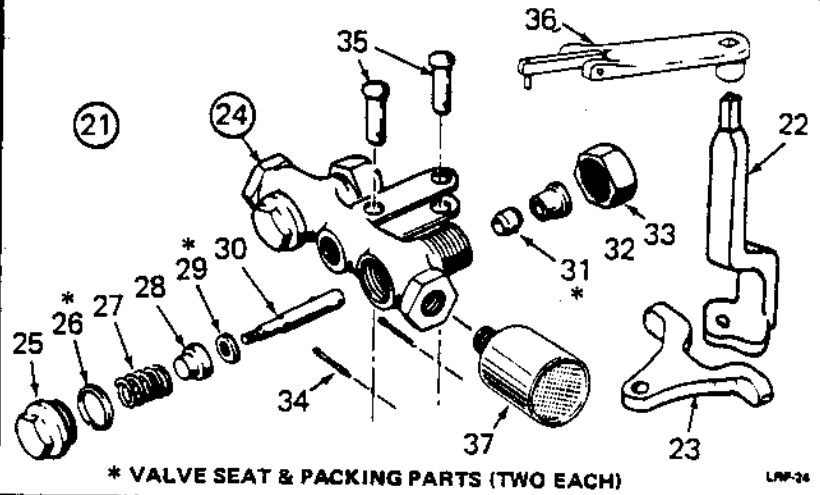
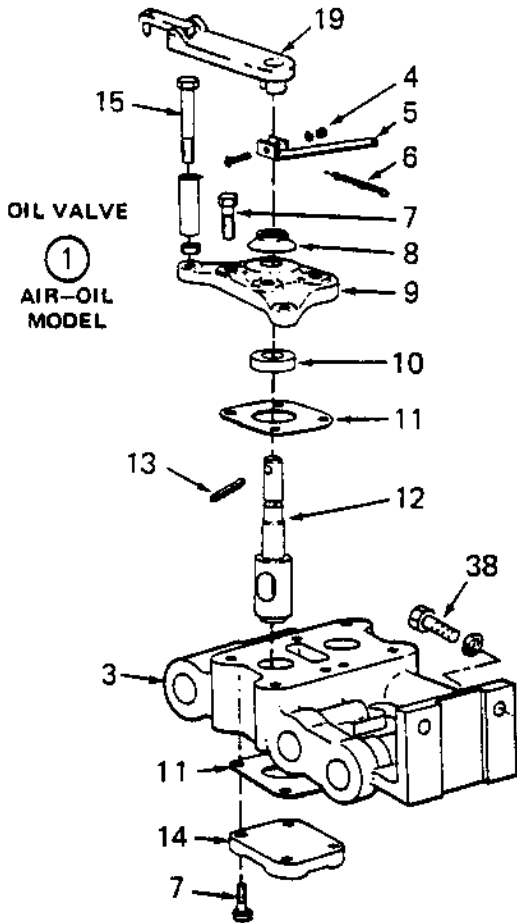


ITEM NO.	PART NO.	QTY	DESCRIPTION
1.	S-28380	2	Elbow 1/4 NPT x 1/4 TS
2.	S-18325	1	Air Valve
3.	S-3975	2	Capcrew 1/4-20 x 7/8
	S-21268	2	Hex Nut 1/4-20
4.	1080398	1	Bracket
5.	S-105	2	Capcrew 3/8-16 x 1
6.	AS-14122	2	Elbow 1/8 NPT x 1/4 TS
7.	S-18326	1	Special Valve Cap 105 Model
8.	S-20407	1	Male Tee 1/8 NPT x 1/4 x 1/4 TS
9.	S-20408	1	Elbow 1/8 NPT x 90°
10.	S-18336	1	Hose
11.	S-14105	1	Street Ell 1/8 NPT x 90°
12.	S-25534	1	Air Cylinder - Front
13.	S-25502	1	Air Cylinder - Rear
14.	S-2911	6	Capcrew 5/16-18 x 1/2
15.	1080837	1	Bracket
16.	S-2250	2	Jam Nut 5/8-18
17.	S-27109	1	Clevis
18.	1080835	1	Pawl - Front
19.	1080836	1	Hold Down
20.	S-14110	1	Roll Pin 1/4 x 1-3/4
21.	1080834	1	Leg Housing
22.	1080855	3	12 Pt. Capcrew
23.	1080852	1	Cover Plate
24.	1080800	2	Leg
25.	S-3535	2	Capcrew 3/4-10 x 2
	G103328	2	Lockwasher 3/4
26.	1080813	1	Bracket
27.	S-1087	3	Jam Nut 5/16-18
28.	1080815	1	Rod
29.	1082578	1	Pawl - Rear
30.	S-27228	2	Bottom Plate
31.	S-27227	2	Shim
32.	S-27229	1	Top Plate
33.	1080814	1	Bracket



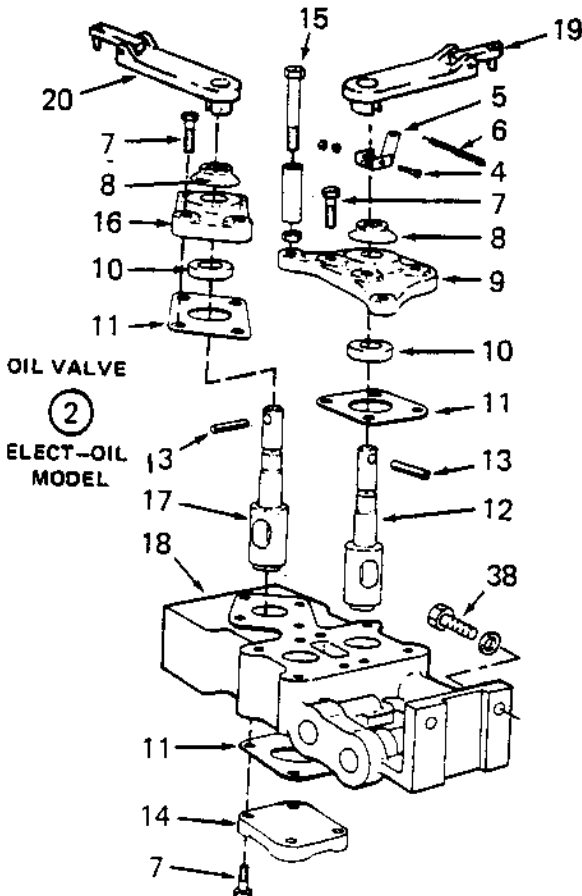
ITEM NO.	PART NO.	QTY	DESCRIPTION
34.	S-27368	4	12 Pt. Capcrew 3/8-16 x 1-1/2
35.	S-7927	1	Jam Nut 5/16-24
36.	1080803	1	Front Leg Ass'y
37.	1080811	1	- Leg - Front
38.	1080802	1	Rear Leg Ass'y
39.	1080812	1	- Leg - Rear
40.	S-25810	2	- Roll Pin 3/16 x 2-1/4
41.	1080806	1	- Dog
42.	S-15169	1	- Washer
43.	1080806	1	- Pin
44.	AS-25949	1	- Trip Rod Ass'y - Front
45.	AS-25952	1	- Rod - Front
46.	AS-25808	1	- Trip Rod Ass'y - Rear
47.	AS-25953	1	- Rod - Rear
48.	S-25832	2	- Spring
	S-25831	2	- Washer
49.	1082579	1	CLEVIS
50.	S-22443	1	ROLLPIN

Control Valves



KEY: A/E A Air-Oil Model
 E Elec-Oil Model

ITEM NO.	PART NO.	QTY A/E	DESCRIPTION
1.	A-1841	1	Oil Valve - Std Cont - Items 3 thru 15
	AS-15660	1	Oil Valve - Opp Cont - Items 3 thru 15
2.	A-1842	1	Oil Valve - Std Cont - Items 4 thru 18
	AS-15662	1	Oil Valve - Opp Cont - Items 4 thru 18
3.	M-1841	1	- Valve Body
4.	S-11671	2/2	- Mach. Screw 10-32 x 1-1/4
	S-7074	2/2	- Lockwasher 3/16
	S-7483	2/2	- Hex Nut 10-32
5.	AS-12205	2/2	- Spring Lever
6.	S-11143	2/2	- Spring
7.	S-1204	16/24	- Capscrew 5/16-18 x 1
8.	S-18396	2/3	- Protector Cap
9.	M-2072	2/2	- Flange
10.	S-18957	2/3	- Seal
11.	S-11299	4/6	- Gasket
12.	S-11114	2/2	- Control Core - See Note
13.	S-15867	2/3	- Roll Pin (1/4 O.D. x 1)
14.	M-1845	2/3	- Valve Cap
15.	S-12141	2/6	- Capscrew 5/16-24 x 2-1/4
	S-11146	2/6	- Stop Hose
	S-7927	2/6	- Hex Nut 5/16-24
16.	M-2074	1	- Flange
17.	M-1833	1	- Intake Control Core - See Note
18.	M-1842	1	- Body
19.	A-1871	2/2	Valve Handle
20.	AAS-11672	1	Feed Valve Handle
21.	A-1664	1	Air Valve
22.	M-2200	1	- Crank
23.	M-2162	1	- Rocker Arm
24.	S-7176	1	- Valve
25.	1658	2	- Cap
26.	* S-25697	2	- Gasket
27.	S-8463	2	- Spring
28.	S-8462	2	- Seat - Base
29.	* S-8461	2	- Seat - Rubber
30.	S-8472	2	- Stem
31.	* S-8454	2	- Stem Packing
32.	S-8453	2	- Gland
33.	1659	2	- Packing Nut
34.	S-6829	2	- Cotter 3/32 x 3/4
35.	S-8459	2	- Clevis Pin
36.	AS-20940	1	Valve Handle
37.	S-20154	1	Muffer
38.	S-7403	2/2	Capscrew 1/2-13 x 1-1/4
	S-512	2/2	Lockwasher 1/2

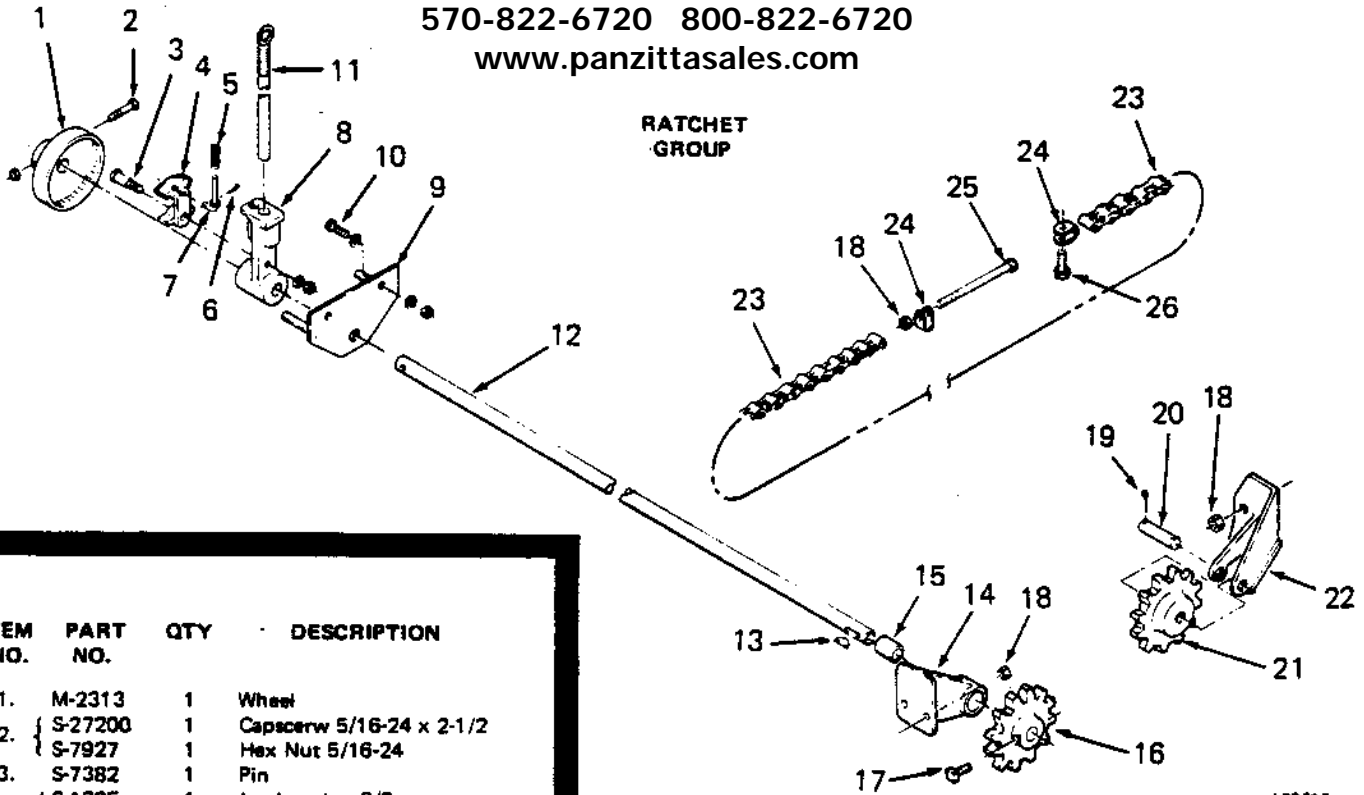


NOTE

Standard core size for item 12 is 1.250 and item 17 is 1.500. In some cases oversize cores are used and dimensions are 1.300 and 1.550. When ordering parts add "OS" to part numbers when core is oversize.

Ratchet & Oil Reservoir

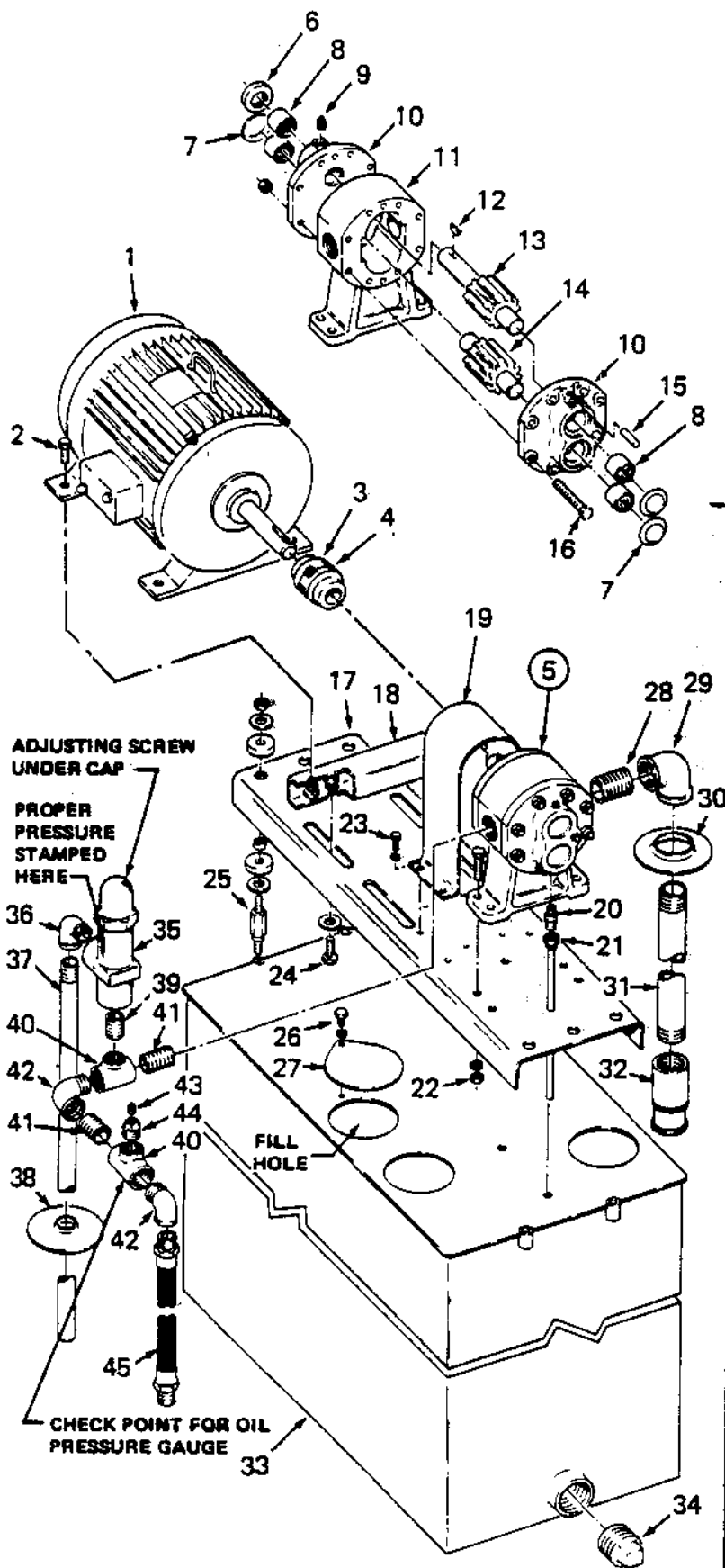
PANZITTA SALES & SERVICE
 72 George Avenue
 Wilkes-Barre, PA 18705
 570-822-6720 800-822-6720
 www.panzittasales.com



ITEM NO.	PART NO.	QTY	DESCRIPTION
1.	M-2313	1	Wheel
2.	S-27200	1	Cap screw 5/16-24 x 2-1/2
	S-7927	1	Hex Nut 5/16-24
3.	S-7382	1	Pin
	S-1325	1	Lockwasher 3/8
4.	S-595	1	Hex Nut 3/8-16
	M-2199	1	Dog
5.	S-2229	1	Spring
6.	S-380	1	Cotter 3/32 x 1/2
7.	1082809	1	Guide Pin
8.	M-2314	1	Dog Lever
9.	AS-7392	1	Hanger Plate
	S-944	2	Cap screw 3/8-16 x 1-1/4
10.	S-19909	4	Washer 13/32 I.D.
	S-595	2	Hex Nut 3/8-16
11.	AS-16486	1	Shift Lever
12.	1083170	1	Shaft - Std. Contr.
	1083172	1	Shaft - Opp. Contr.
13.	S-8506	1	Woodruff Key
14.	AS-26408	1	Front Hanger Ass'y
15.	S-6034	1	- Bearing
16.	M-1574	1	Front Sprocket
17.	S-7221	1	Set Screw 3/8-16 x 1
18.	S-508	5	Hex Nut 1/2-13
19.	S-107	2	Cotter 1/8 x 1
20.	S-28216	1	Pin
21.	M-1573	1	Rear Sprocket
22.	M-1561	1	Rear Hanger
23.	S-7381	1	Chain (Std.)
24.	S-7391	2	Chain Fastener
25.	AS-20636	1	Adjusting Bolt
26.	S-7403	1	Cap screw 1/2-13 x 1-1/4
27.	AS-25119	1	Gauge Rod
28.	AS-28272	1	Float Hanger Ass'y
29.	AS-28271	1	- Hanger
30.	S-15162	1	- Wire
31.	S-23263	1	- Cap screw
32.	S-21268	1	- Hex Nut 1/4-20
33.	S-23265	1	- Float
34.	1080280	1	Reservoir

* VARIES WITH FRAME LENGTH

Power Unit



ITEM NO.	PART NO.	QTY	DESCRIPTION
1.			Electric Motor - Prices on reqd
2.	S-105	4	Capscrew 3/8-16 x 1
	S-3012	4	Lockwasher 3/8
	S-595	4	Hex Nut 3/8-16
3.	AS-20500	1	Coupling (1-3/8 Shaft)
	AS-5968	1	Coupling (1-1/8 Shaft)
4.	S-8547	1	- Fiber Spider
5.	AS-14418	1	Pump Ass'y
6.	S-14823	1	- Oil Seal
7.	S-1183	3	- Welsh Plug
8.	S-22390	4	- Bearing
9.	S-1805	2	- Pipe Plug 1/8
10.	M-2230	2	- Bearing Cap
11.	M-1995	1	- Pump Body
12.	S-2347	1	- Woodruff Key
13.	AS-14420	1	- Drive Gear
14.	AS-14423	1	- Driven Gear
15.	S-24847	4	- Dowel Pin
16.	S-14419	8	- Capscrew 3/8-24 x 4-1/2
	S-7573	8	- Hex Nut 3/8-24
17.	S-19673	1	Motor Support Frame
18.	S-15529	2	Motor Support
19.	S-14827	1	Shield
20.	S-2007	2	Tube Connector
21.	S-19710	2	Oil Drain Tube
22.	S-700	4	Capscrew 1/2-13 x 1-3/4
	S-512	4	Lockwasher 1/2
	S-12540	4	Hex Nut 1/2-13
	S-14098	4	Capscrew 3/8-16 x 1/2
23.	S-3277	4	Lockwasher 3/8
	S-3291	4	Capscrew 1/2-13 x 1-1/4
	S-1565	4	Washer 9/16 I.D.
	S-512	4	Lockwasher 3/8
24.	S-12540	4	Hex Nut 1/2-13
	S-19674	4	Mounting Stud
	S-1565	8	Washer 9/16 I.D.
	S-18999	8	Spacer
25.	S-15655	4	Damper
	S-12540	4	Hex Nut 1/2-13
26.	S-175	1	Capscrew 3/8-16 x 3/4
	S-3277	1	Lockwasher 3/8
27.	S-11318	1	Hole Cover
28.	S-12175	1	Nipple 1-1/2 x 1-3/4
29.	S-20956	1	Elbow 1-1/2 x 90°
30.	S-20959	1	Pipe Collar
31.	S-20966	1	Pipe 1-1/2 x 37-5/8
32.	AS-20957	1	Foot Valve
33.	AS-19685	1	Reservoir (120 Gal EC-61)
	AS-19680	1	Reservoir (170 Gal EC-62)
	AS-25564	1	Reservoir (170 Gal EC-66)
34.	S-7359	1	Pipe Plug
35.	AS-22533	1	Pressure Relief Valve (See Note)
36.	S-5942	1	Street Elbow 1 x 90°
37.	S-19695	1	Pipe 1 x 45
38.	S-6225	1	Pipe Collar
39.	S-19742	1	Nipple 1 x 1-1/2
40.	S-17222	2	Reducing Tee 1-1/4 x 1-1/4 x 1
41.	S-19672	2	Nipple 1-1/4 x 1-5/8
42.	S-5944	2	Street Elbow 1-1/4 x 90°
43.	S-1836	1	Pipe Plug 1/4
44.	S-15461	1	Gauge Outlet Plug
45.	S-13801	1	Hose

NOTE

Pressure relief valve (item 35) serviced as a complete unit only.

PANZITTA SALES & SERVICE
 72 George Avenue
 Wilkes-Barre, PA 18705
 570-822-6720 800-822-6720
 www.panzittasales.com