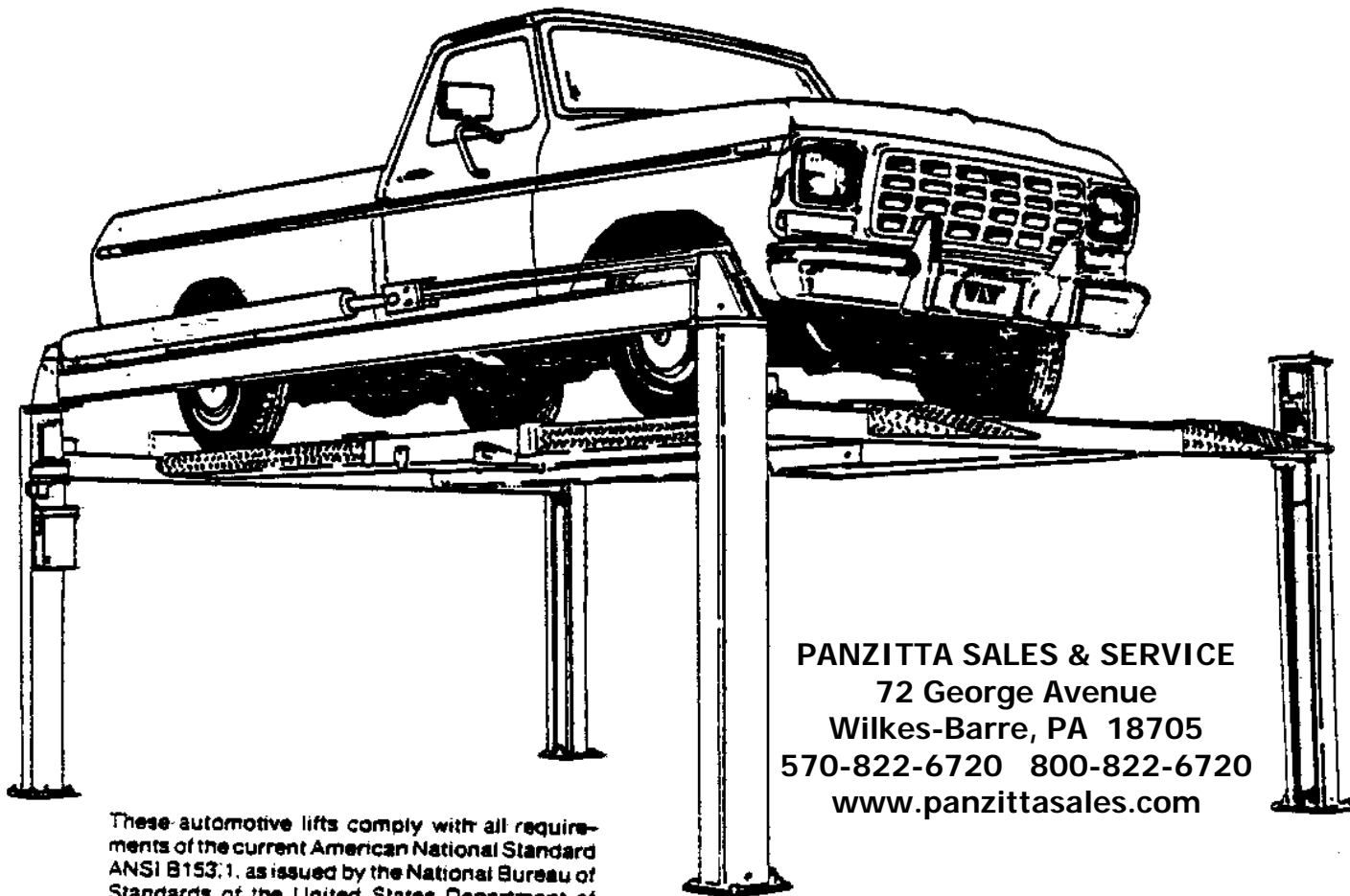


# PARTS MANUAL

# WEAVER®



**PANZITTA SALES & SERVICE**  
 72 George Avenue  
 Wilkes-Barre, PA 18705  
 570-822-6720 800-822-6720  
[www.panzittasales.com](http://www.panzittasales.com)

These automotive lifts comply with all requirements of the current American National Standard ANSI B153.1, as issued by the National Bureau of Standards of the United States Department of Commerce.

MODEL	DESCRIPTION	CAPACITY
AFH-T90 & T90A	Four post, surface mounted, runway type	9,000 lbs.
AFH-T12	Four post, surface mounted, runway type	12,000 lbs.

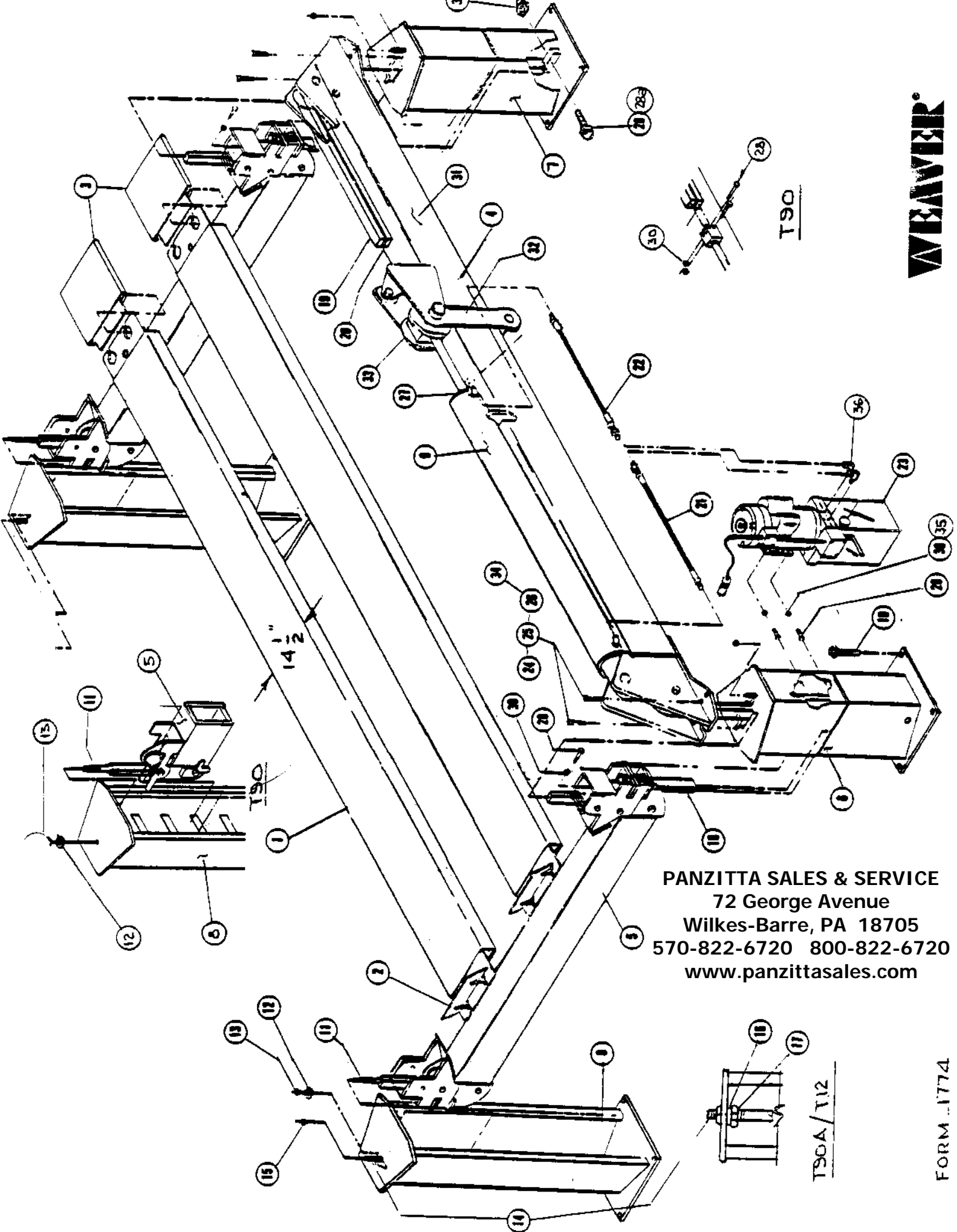
MODEL NO. \_\_\_\_\_ INSTALLER \_\_\_\_\_

SERIAL NO. \_\_\_\_\_

DATE INSTALLED \_\_\_\_\_

### WARNING

Do not start installation before studying this booklet to become familiar with installation procedure. Acquaint yourself with model type to avoid improper installation.

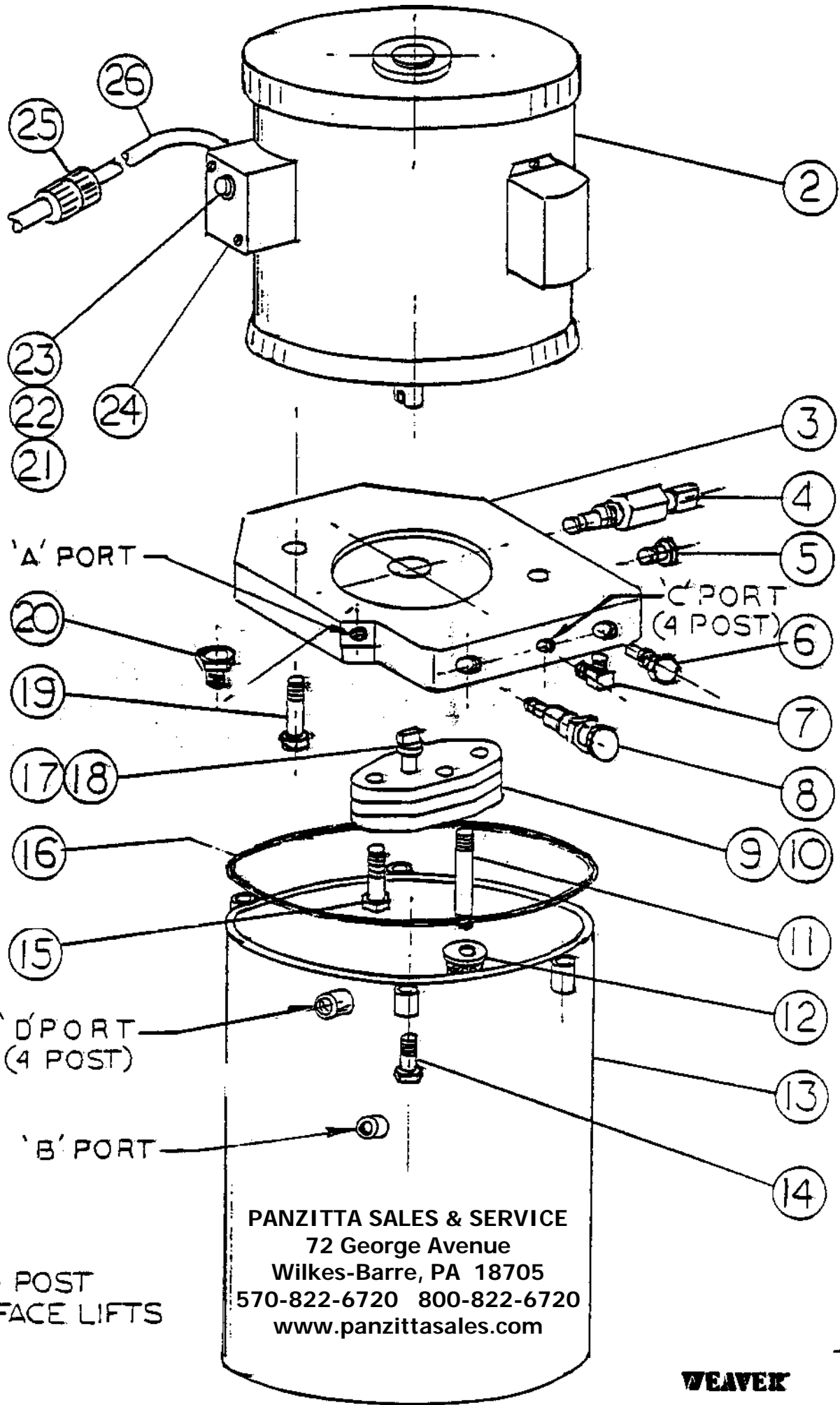


**PANZITTA SALES & SERVICE**  
72 George Avenue  
Wilkes-Barre, PA 18705  
570-822-6720 800-822-6720  
[www.panzittasales.com](http://www.panzittasales.com)

ITEM	PART NUMBER	AFH-T90	AFH-T90A	AFH-T12	DESCRIPTION
1	1085481	2	2	-	RUNWAY
	1085444	-	-	2	RUNWAY
2	1086244	2	2	2	RAMP STOP PLATE
3	1086240	2	2	2	RAMP
* 4	1086247	1	-	-	TOP RAIL ASSEMBLY
	1085470	-	1	-	" " " "
	1085408	-	-	1	" " " "
5	1086250	2	-	-	CROSS RAIL
	1085475	-	2	-	" "
	1085429	-	-	2	" "
6	1085398	-	1	1	MAST, REAR
6&7	1086246	2	-	-	" " , POWER SIDE
7	1085397	-	1	1	" " , FRONT
8	1086247	2	-	-	" " , SLAVE SIDE
	1085399	-	2	2	" " , " " "
9	1086267	1	1	1	CYLINDER
10	1086130	16	16	16	ANCHORS
11	1086224	2	2	2	ADJUSTING BOLT, 1"-12 THD.
12	1086206	2	-	-	SPACER, 1"
	1085447	-	2	2	" " , 1"
13	1087051	2	-	-	L'NUT, 1"-12
	1085451	-	2	2	" " , 1-12
14	1085448	-	4	4	ROD, THD. (3/4" THD.)
15	S-20937	-	4	4	L'NUT, 3/4" 16
16	G-103326	-	4	4	L'WASHER, 3/4"
17	S-3119	-	4	4	HEX NUT, 3/4"-16

ITEM	PART NUMBER	AFH-T90	AFH-T90A	AFH-T12	DESCRIPTION	
18	1086254	2	-	-	CHAIN, 3/4" x 195 1/4"	BL-834
	1085478	-	2	-	" , 3/4" x 194 1/4"	" "
	1085453	-	-	2	" , 3/4" x 206 1/4"	" "
19	1086253	1	-	-	" , 1" x 87"	BL-844
	1085479	-	1	-	" , 3/4" x 90 3/4"	BL-646
	1085454	-	-	1	" , 3/4" x 114 3/4"	" "
20	1086252	1	-	-	" , 1" x 254"	BL-844
	1085480	-	1	-	" , 3/4" x 249 3/4"	BL-646
	1085455	-	-	1	" , 3/4" x 297 3/4"	" "
21	1086262	1	-	-	HOSE, 36" LONG	
22	1085280	1	1	1	" " , 40" "	
	1085683	-	1	1	" " , 102" "	
23	1086261	1	1	1	POWER UNIT	
24	S-700	4	4	4	HEX. BOLT, 1/2-13 x 1 3/4	
25	S-18432	8	8	8	WASHER, 1/2"	
26	S-512	4	4	4	L'WASHER, 1/2"	
27	1085456	-	2	2	DOWEL PIN	
28	1086257	4	4	4	SOC. HD. BOLT 5/16-18 x 3", GR-3.	
28a	1086250	4	2	2	SOC. HD. BOLT 5/16-18 x 2 1/2", GR-3.	
29	S-4395	4	-	-	HEX. BOLT, 1/4-20 x 1"	
	S-7428	-	4	4	" " , 5/16-18 x 3/4"	
30	1086256	4	-	-	L'NUT, 1/4"-20	
	S-16330	-	10	10	" " , 5/16-18	
31	1085471	-	1	-	RAIL W.A.	
	1085409	-	-	1	RAIL W.A.	





2 & 4 POST  
SURFACE LIFTS

PANZITTA SALES & SERVICE  
72 George Avenue  
Wilkes-Barre, PA 18705  
570-822-6720 800-822-6720  
www.panzittasales.com

**WEAVER**

# 2 & 4 POST SURFACE LIFTS PUMP/MOTOR

**WEAVER**

ITEM	PART NO.	QTY.	DESCRIPTION
1	1086802	1	MOTOR/PUMP ASSEMBLY
2	1086805	1	MOTOR (STD -SINGLE PHASE; 60 CYC; 115/220V)
3	1086722	1	VALVE BODY
4	1086720	1	RELIEF VALVE
5	S-1806	1	PIPE PLUG, 3/8 NPT
6	1086719	1	CHECK VALVE
7	1086138	1	90° ELBOW, MALE, 3/8 NPT x 1/2" LINE (2-POST)
	1086263	1	90° ELBOW ADAPTER, 3/8 NPT (4-POST)
8	1086721	1	DUMP VALVE
9	1086813	1	PUMP ASSEMBLY (INCLUDES ITEMS 10; 15; 17; & 18)
10	1086729	1	PUMP
11	1086728	1	SUCTION LINE
12	1086740	1	FILTER
13	1085601	1	RESERVOIR
14	S-17574	4	HEX. CAPSCREW, 1/4-20 x 1
15	1086812	2	HEX. CAPSCREW, 5/16-24 x 2 1/2
16	1085828	1	O RING SEAL
17	1086811	1	COUPLING, DRIVE
18	1086810	1	SPRING
19	1086732	2	HEX. CAPSCREW, 3/8-16 x 1 1/2 (MTR)
20	1086730	1	BREATHER
21	1086738	1	BUSHING (HEYCO)
22	1086733	1	SWITCH, PIN PLUNGER
23	1086734	1	ACTUATOR (BUTTON)
24	1086871	1	COVER
25	1086741	1	PLUG -MALE (ELEC.)
26	1086731	1	WIRE, MOTOR