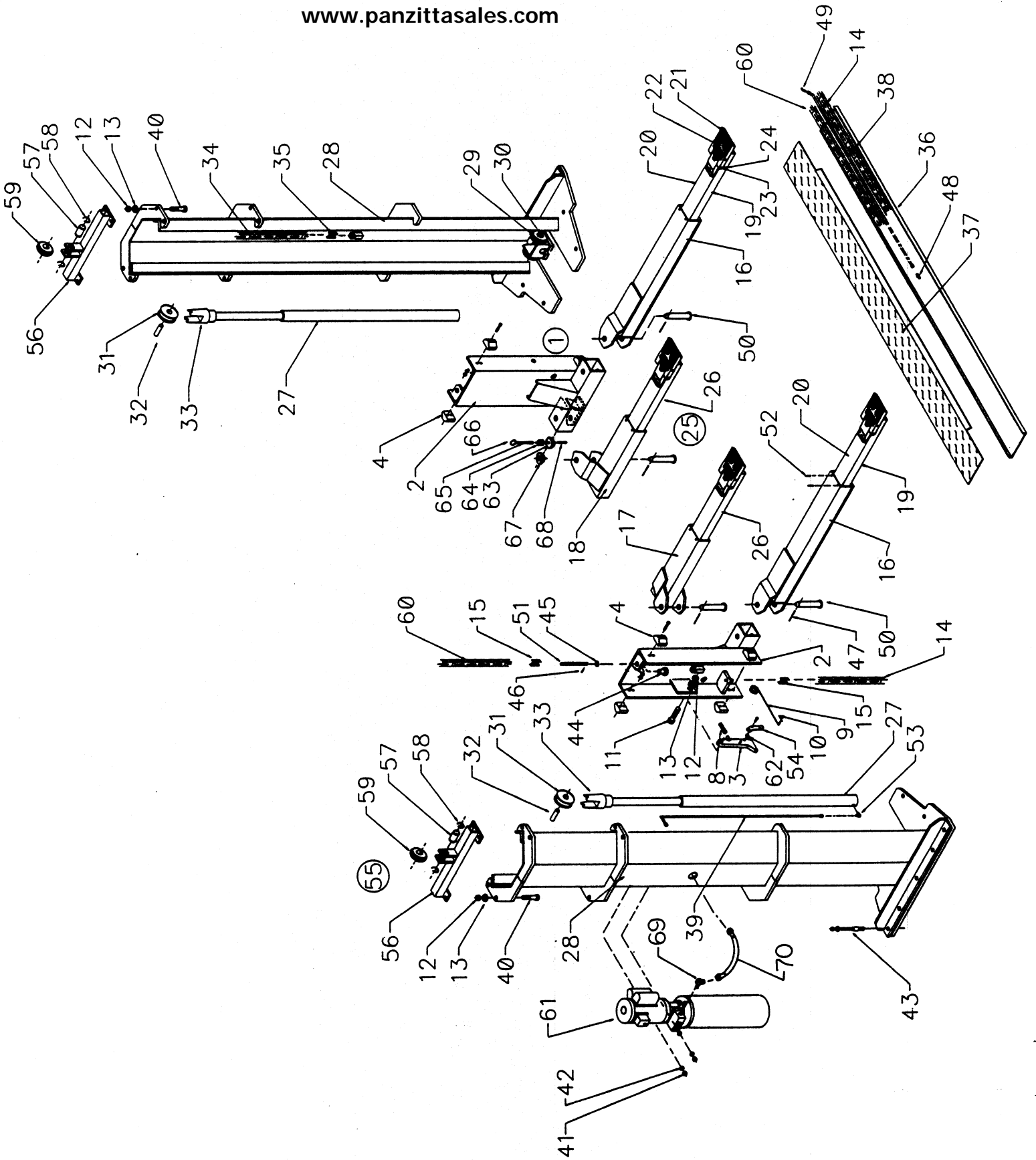


PANZITTA SALES & SERVICE
72 George Avenue
Wilkes-Barre, PA 18705
570-822-6720 800-822-6720
www.panzittasales.com

AFH-88A



PARTS LIST

ITEM	QTY.	PART NO.	DESCRIPTION	ITEM	QTY.	PART NO.	DESCRIPTION
1	2	1088249	CARRIAGE ASSEMBLY	38	2	1088261	HYDRAULIC LINE CYL-CYL
2	2	1088179	CARRIAGE WELD ASSEMBLY	39	1	1088266	HYDRAULIC LINE CYL-POWER UNIT
3	2	1088238	LOCK PAWL	40	8	S-16329	CAP SCREW 5/8-11 x 2 1/2
4	8	1088753	BEARING BLOCK	41	4	S-16330	LOCKNUT 5/16-18
8	2	1088252	COMPRESSION SPRING	42	4	G-118777	WASHER 5/16
9	2	1086049	RELEASE HANDLE	43	14	1086130	ANCHOR BOLT ASSEMBLY
10	2	S-3627	COTTER PIN	44	2	1088185	CHAIN ADJUSTER
11	2	1086518	CAP SCREW 5/8-11 x 2 3/4 GR.8	45	2	S-498	HEX JAM NUT 5/8-11
12	10	1086126	LOCKNUT 5/8-11	46	2	S-107	COTTER PIN 1/8 x 11/4
13	10	S-21137	WASHER 5/8	47	8	1088301	SPIRAL ROLL PIN
14	2	1088263	EQUALIZING CHAIN- ORDER WITH ITEM 60	48	1	1086098	STRAIGHT CONNECTOR
15	6	1087586	MASTER LINK FOR ANSI 65	49	2	1088262	HYDRAULIC FITTING MALE 45 ELBOW
16	2	1088305	LONG ARM	50	4	1088299	ARM PIVOT PIN
17	1	1088303	SHORT ARM	51	2	1087583	CHAIN ADJUSTER
18	1	1088304	SHORT ARM	52	8	1088256	SPIRAL ROLL PIN
19	2	1088254	EXTENSION ARM ASSEMBLY-LONG	53	2	1086138	ELBOW
20	2	1088222	LONG ARM EXTENSION	54	2	1086663	RELEASE PIVOT
21	4	M-2139	ADAPTER HIGH PAD	55	2	1088259	WHEEL CARRIER ASSEMBLY
22	4	M-2138	ADAPTER LOW PAD	56	2	1088224	WHEEL CARRIER
23	8	S-19977	CLEVIS PIN	57	2	1086568	CHAIN WHEEL SHAFT
24	8	S-19326	ROLL PIN, 1/8 x 5/16	58	4	1086092	RETAINING RING
25	2	1088253	EXTENSION ARM ASSEMBLY-SHORT	59	2	1087637	CHAIN WHEEL ASSEMBLY
26	2	1088221	SHORT ARM EXTENSION	60	2	1088264	EQUALIZING CHAIN- ORDER WITH ITEM 14
27	2	KL366	CYLINDER ASSEMBLY	61	1	1088327	POWER UNIT
29	4	1088174	CHAIN ROLLER WHEEL ASSEMBLY	62	2	1087425	SPACER
28	2	1088144	MAST	63	4	1088296	LOCKING GEAR
30	4	1088258	RETAINING RING	64	4	1088297	COMPRESSION SPRING
31	2	1086619	LIFT WHEEL ASSEMBLY	65	4	1088298	LOCKING GEAR SHAFT
32	2	1087223	LIFT WHEEL SHAFT	66	4	1087896	LIFTING RING
33	2	1086950	CHAIN WHEEL MOUNTING BRACKET	67	4	1088300	PIN GEAR
34	2	1086108	LIFT CHAIN	68	4	1088302	ADJUSTING BOLT
35	4	1086104	MASTERLINK W/SIDE PLATES FOR BL-646	69	1	1086263	ELBOW
36	1	1088226	CHAIN TROUGH	70	1	1088284	HOSE
37	1	1088234	CHAIN COVER				

PARTS USED ON AFH-88W

- 1088377 ROLLER-LESS CHAIN 11.25" QTY. 2
- 1088378 CHAIN TROUGH QTY. 1
- 1088379 CHAIN COVER QTY. 1
- 1088380 HYDRAULIC LINE EXTENSION QTY. 1
- 1087586 MASTERLINK QTY. 2
- 1086098 STRAIGHT CONNECTOR QTY. 1