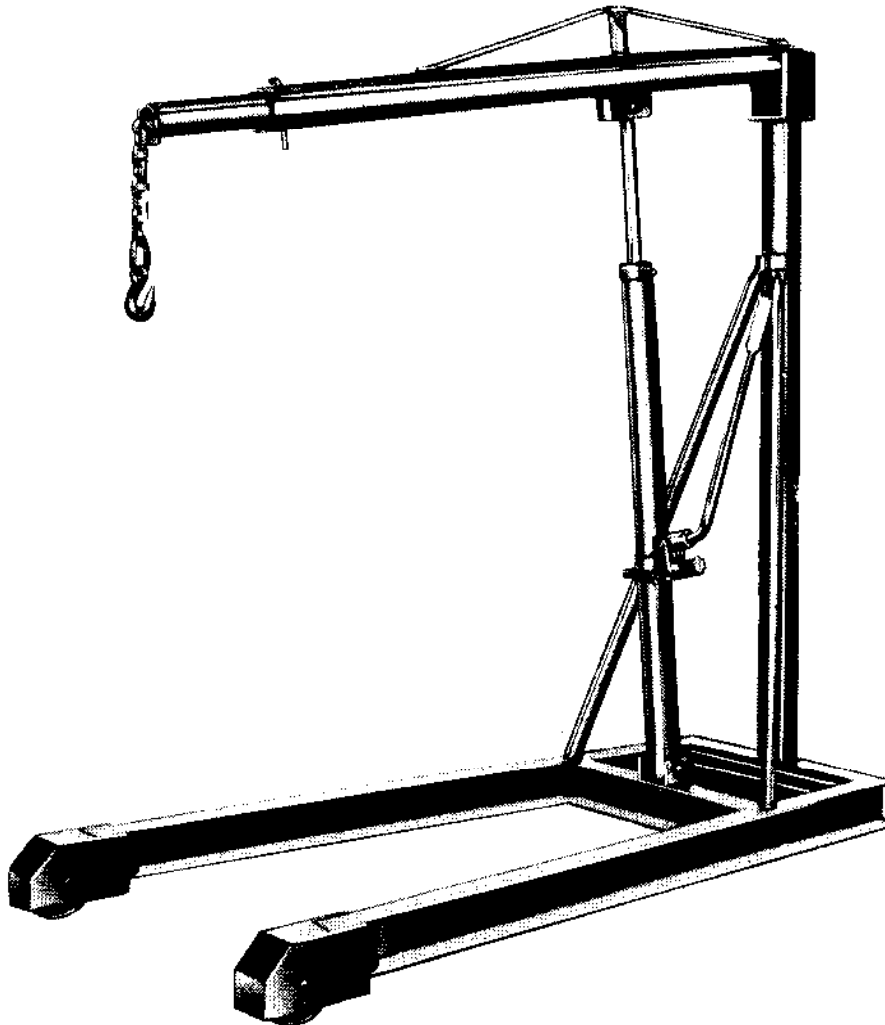


PANZITTA SALES & SERVICE  
72 George Avenue  
Wilkes-Barre, PA 18705  
570-822-6720 800-822-6720  
www.panzittasales.com

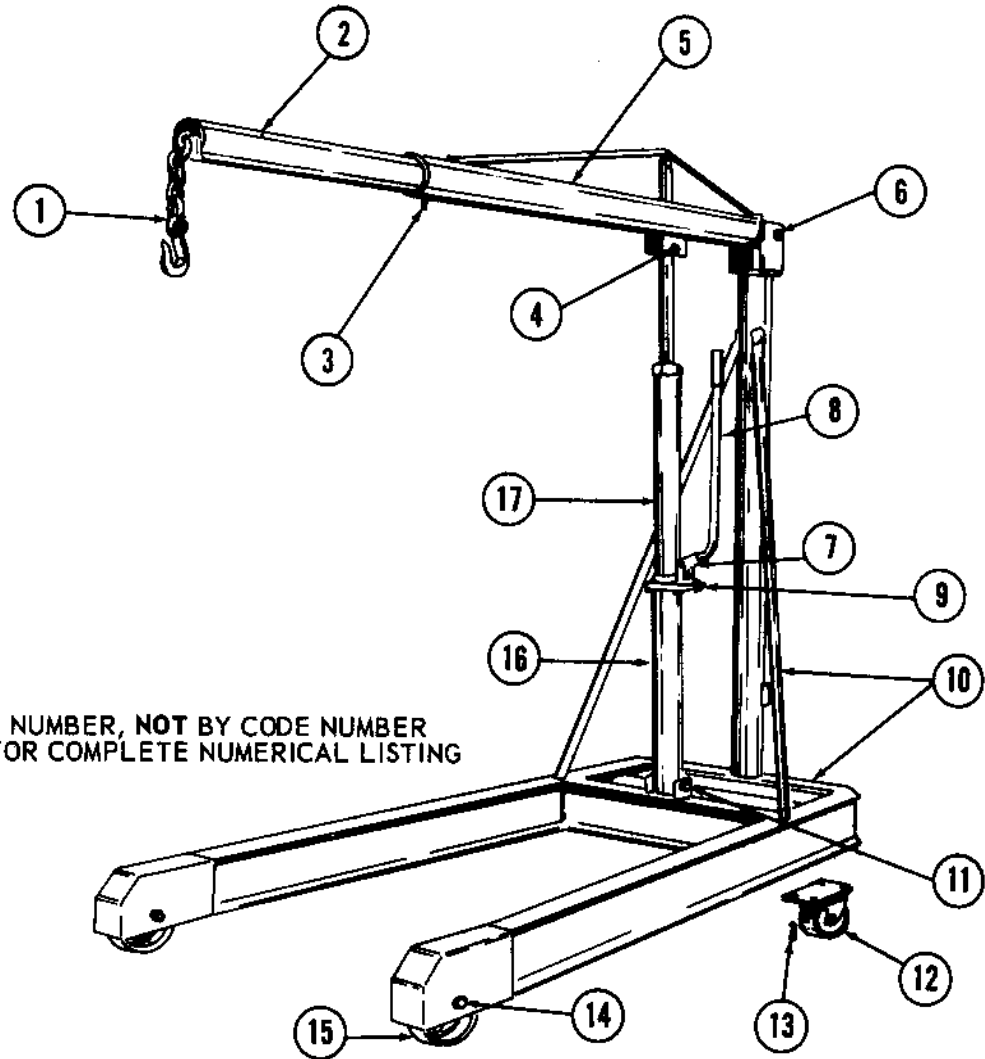
# WALKER SERVICE DIVISION

## JACK PARTS MANUAL

MODELS— (1/2 Ton Crane) J814 SERIES F  
(3/4 Ton Crane) J815 SERIES E  
(1 Ton Crane) J816 SERIES E  
(2 Ton Crane) J817 SERIES H



J814 F  
 J815 E  
 J816 E  
 J817 H



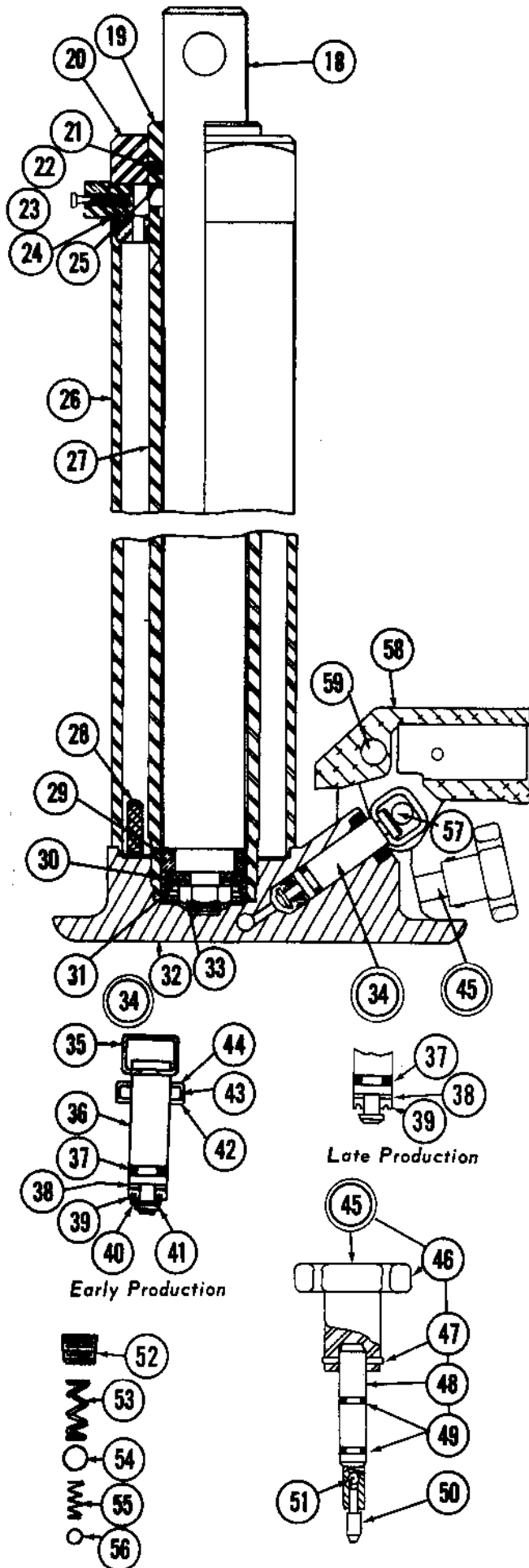
ORDER BY PART NUMBER, NOT BY CODE NUMBER  
 SEE BACK PAGE FOR COMPLETE NUMERICAL LISTING

Code No.	Description	Quantity	1/2 TON	3/4 TON	1 TON	2 TON
			Model J814-F	Model J815-E	Model J816-E	Model J817-H
1	Chain & Hook Assembly	1	223048	223048	223790	223142
2	Inner Boom Assembly	1	223056	223015	223080	223111
3	Position Pin	1	223043	223043	223102	223140
4	Bolt - Upper Unit Pivot	1	223076	223076	223076	223138
4	Lockwasher - Hyd. Unit Pivot	1	209970	209970	209970	201110
4	Nut - Hyd. Unit Pivot	1	203349	203349	203349	203353
5	Main Boom Assembly	1	225878	225879	225880	225610
6	Bolt - Boom Pivot	1	223075	223042	223101	223139
6	Lockwasher - Boom Pivot	1	209970	201110	201110	201478
6	Nut - Boom Pivot	1	203349	203353	203353	223801
7	Rollpin - Handle	1	217920	217920	217920	217920
8	Handle & Grip Assembly	1	224470	224470	224470	224470
8	Grip (only)	1	223164	223164	223164	223164
9	Bolt - Riser to Unit	4	213639	212594	212594	212594
9	Lockwasher - Riser to Unit	4	201081	201086	201086	201086
10	Frame Assembly	1	224325	224290	224327	224698
11	Bolt - Lower Unit Pivot	1	223077	223042	223100	223137
11	Lockwasher - Lower Pivot	1	209967	201110	201110	201115
11	Nut - Lower Unit Pivot	1	203346	203353	203353	219451
12	Caster Wheel	2	223037	223037	223099	223135
13	Screws - Casters	8	212622	212622	212622	212622
13	Lockwashers - Casters	8	201090	201090	201090	201090
14	Bolts - Front Wheel	2	223800	223800	223800	223136
14	Lockwasher - Front Wheel	2	201110	201110	201110	201115
14	Nuts - Front Wheel	2	203353	203353	203353	219451
14	Bushing - Front Wheel	2	224432	224432	224432	224433
15	Front Wheel	2	223036	223036	223036	223134
16	Riser Assembly	1	223384	223033	223096	223131
17	Hydraulic Unit Assembly	1				

See Page 3 for Details.

NOTE: Contact Factory or nearest Authorized Service Depot when complete Unit Assembly is needed.

J814 F  
 J815 E  
 J816 E  
 J817 H



Code No.	Description	Qva.	1/2 TON	3/4 TON	1 TON	2 TON
			Model J814-F	Model J815-E	Model J816-E	Model J817-H
18	Ram	1	223052	223007	223013	223107
19	Ram Gland Nut	1	223248	218121	218121	218094
20	Tank Nut	1	223055	223010	223010	223110
21	Packing - Ram Gland	1	223246	213163	213163	213169
22	Filler Plug Assembly	1	224352	224352	224352	224352
23	Vent Closure	1	224346	224346	224346	224346
24	Filler Plug Gasket	1	204842	204842	204842	204842
25	Washer - Ram Gland	1	223247	204354	204354	204370
26	Oil Tank	1	223054	223009	223011	223109
27	Cylinder	1	223053	223008	223012	223108
28	Screen	1	222088	221318	221318	221318
29	Heel Plate	1	224758	224759	224759	224760
30	Ram Cup	1	214894	218123	218123	217919
31	Washer-Ram Cup	1	204218	204272	204272	204286
32	Base	1	223051	223006	223006	223106
33	Nut-Ram Cup	1	203265	203271	203271	203287
34	Pump Piston Assembly (Early Prod.)	1	218500	218500	218500	218500
	Pump Piston Assembly (Late Prod.)	1	226180	226180	226180	226180
35	Clip	1	209910	209910	209910	209910
36	Piston (Early Prod.)	1	217911	217911	217911	217911
	Piston (Late Prod.)	1	217911	217911	217911	217911
37	Seal Ring	1	214153	214153	214153	214153
38	Lea. Washer	1	214161	214161	214161	214161
39	"U" Cup	1	214154	214154	214154	214154
40	Retainer	1	*217408	*217408	*217408	*217408
41	Hair Pin	1	*217409	*217409	*217409	*217409
	Cotter	1	*217409	*217409	*217409	*217409
42	Washer	1	204281	204281	204281	204281
43	Packing Ring	1	213149	213149	213149	213149
44	Cover	1	216258	216258	216258	216258
45	Release Knob Assembly	1	224240	224240	224240	224240
46	Hand Knob	1	224058	224058	224058	224058
47	Pin	1	201138	201138	201138	201138
48	Stem	1	224241	224241	224241	224241
49	"O" Ring	2	218776	218776	218776	218776
50	Release Valve	1	224239	224239	224239	224239
51	Ball - Release	1	203196	203196	203196	203196
52	Pipe Plug	1	210311	210311	210311	210311
53	Discharge Spring	1	218117	218117	218117	218117
54	Ball-Discharge	1	203201	203201	203201	203201
55	Suction Spring	1	217909	217909	217909	217909
56	Ball - Suction	1	203197	203197	203197	203197
57	Pump - Pin	1	220021	220021	220021	220021
57	Retainer Ring	1	220018	220018	220018	220018
58	Handle Socket	1	224237	224237	224237	224237
59	Pin - Handle Socket	1	220019	220019	220019	220019
59	Retainer Ring	1	220018	220018	220018	220018

\*Not used on "Late Production" Assembly P/N 226180.  
 When complete Pump Assembly or Piston requires replacement order "Late Production" Assembly. P/N 226180.

ORDER BY PART NUMBER, NOT BY CODE NUMBER  
 SEE BACK PAGE FOR COMPLETE NUMERICAL LISTING

## NUMERICAL LISTING OF PARTS

Part No.	Code No.	Part No.	Code No.	Part No.	Code No.	Part No.	Code No.
201081	9	214153	37	223036	15	223140	3
201086	9	214154	39	223037	12	223142	1
201090	13	214161	38	223042	6 & 11	223164	8
201100	4, 6, 11, & 14	214894	30	223043	3	223246	21
201115	11 & 14	216258	44	223048	1	223247	25
201138	47	217408	40	223051	32	223248	19
201478	6	217409	41	223052	18	223384	16
203196	51	217909	55	223053	27	223790	1
203197	56	217911	36	223054	26	223800	14
203201	54	217919	30	223055	20	223801	6
203265	33	217920	7	223056	2	224058	46
203271	33	218094	19	223075	6	224237	58
203287	33	218117	53	223076	4	224239	50
203346	11	218121	19	223077	11	224240	45
203349	4 & 6	218123	30	223080	2	224241	48
203353	4, 6, 11, & 14	218500	34	223096	16	224290	10
204218	31	218776	49	223099	12	224325	10
204272	31	219451	11 & 14	223100	11	224327	10
204281	42	220018	57 & 59	223101	6	224346	23
204286	31	220019	59	223102	3	224352	22
204354	25	220021	57	223106	32	224432	14
204370	25	221318	28	223107	18	224433	14
204842	24	222088	28	223108	27	224470	8
209910	35	223006	32	223109	26	224698	10
209967	11	223007	18	223110	20	224758	29
209970	4 & 6	223008	27	223111	2	224759	29
210311	52	223009	26	223131	16	224760	29
212594	9	223010	20	223134	15	225610	5
212622	13	223011	26	223135	12	225878	5
213149	43	223012	27	223136	14	225879	5
213163	21	223013	18	223137	11	225880	5
213169	21	223015	2	223138	4	226180	34
213639	9	223033	16	223139	6		