

PANZITTA SALES & SERVICE
72 George Avenue
Wilkes-Barre, PA 18705
570-822-6720 800-822-6720
www.panzittasales.com

WALKER®

**SERVICE
DIVISION**

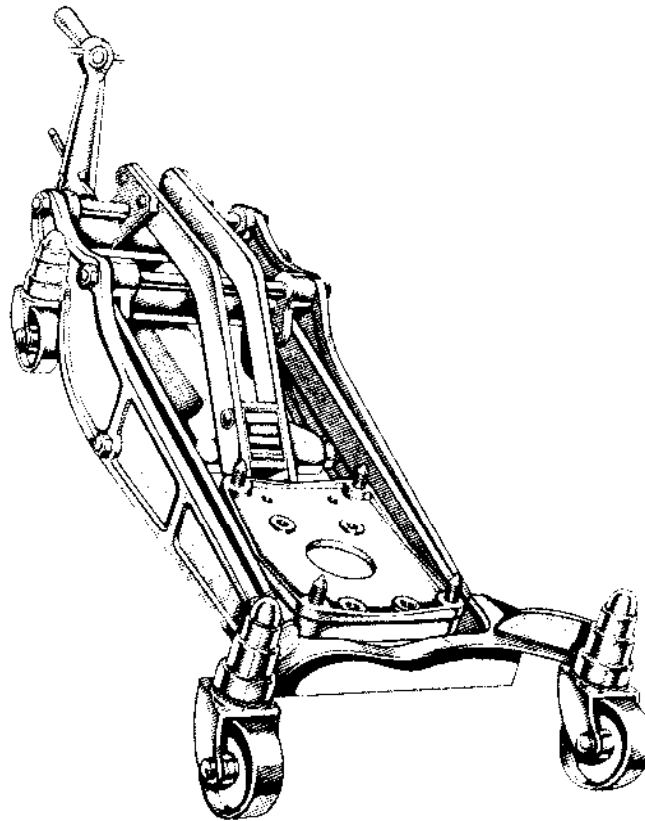
Jack Parts Sheet

MODEL J-798

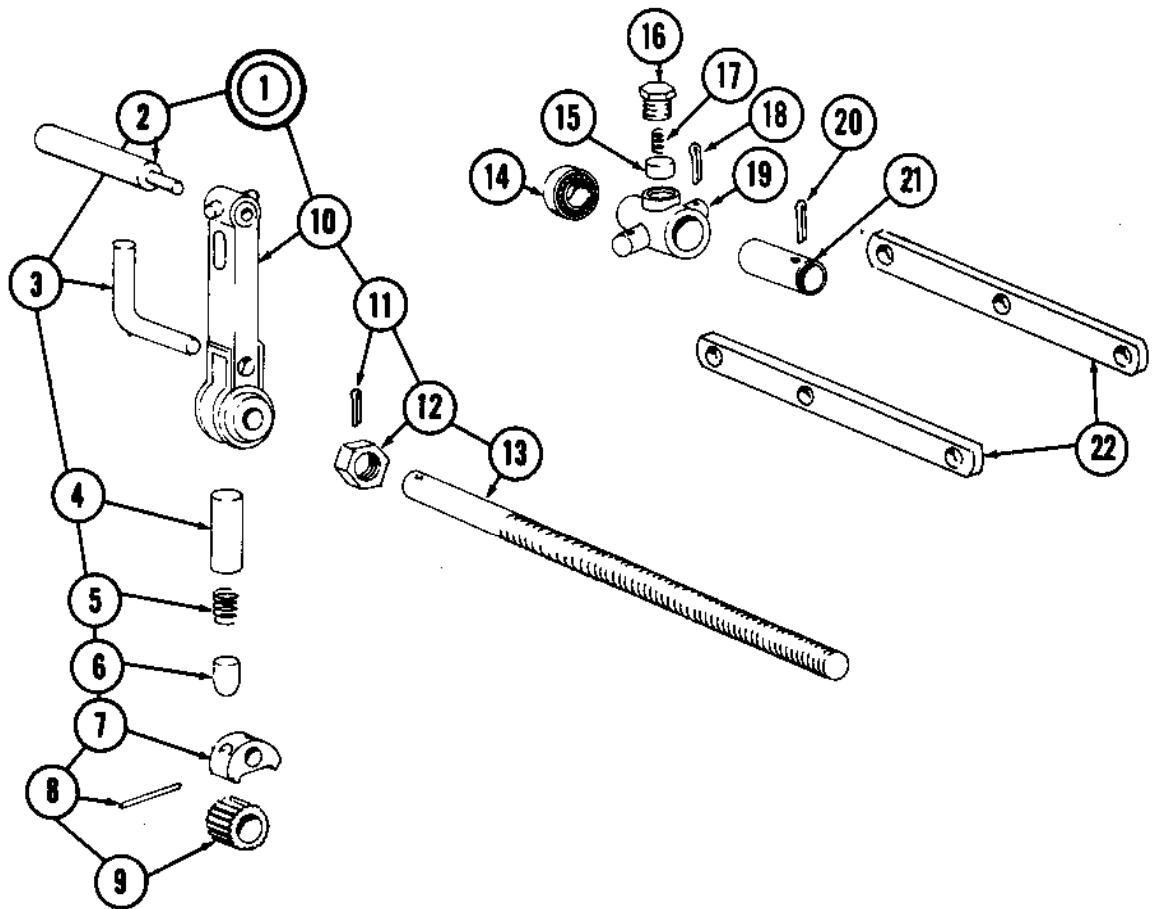
SERIES "E"

TRANSMISSION JACK

¼ TON CAPACITY



MODEL J-798 SERIES "E"

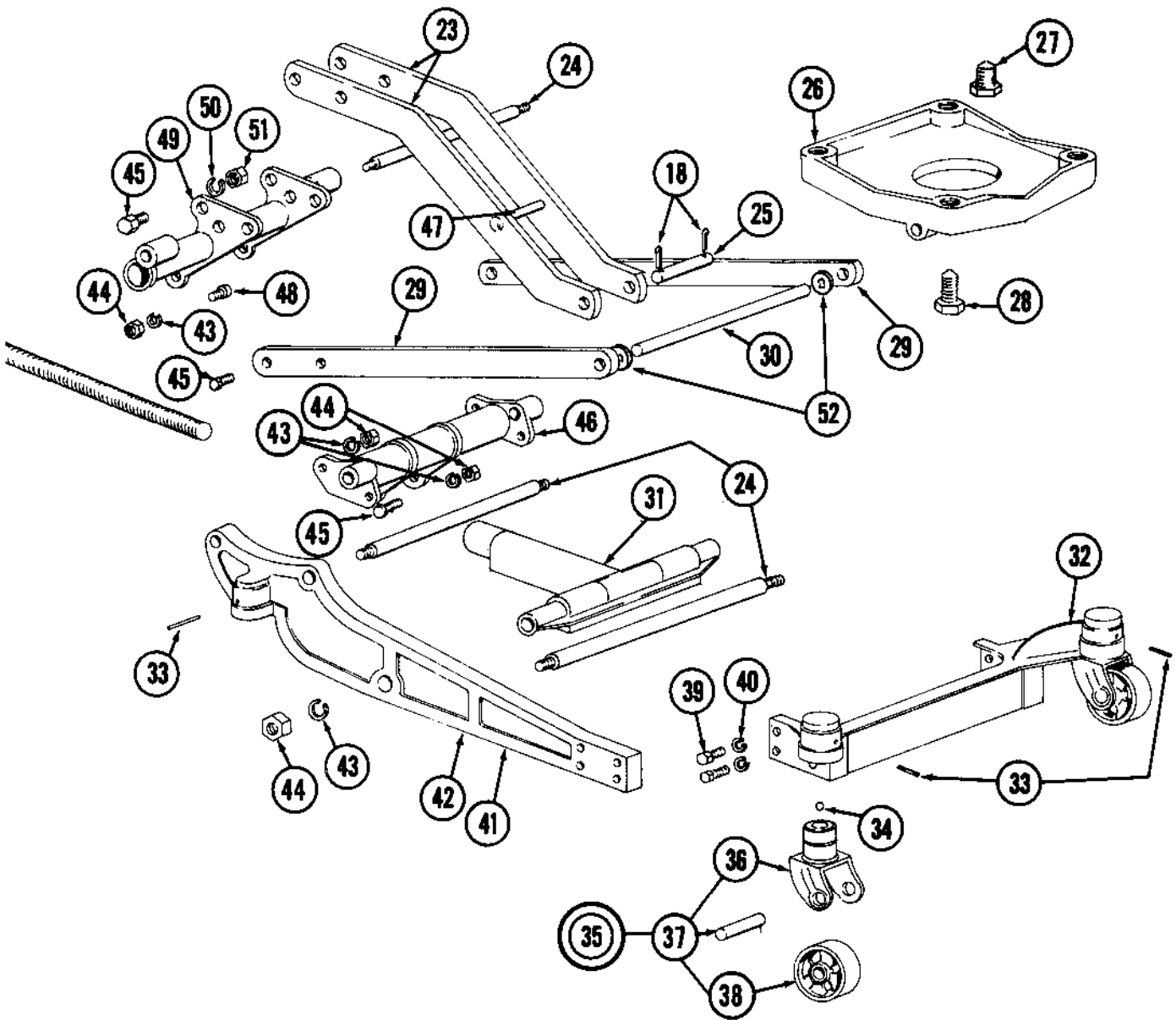


PANZITTA SALES & SERVICE
 72 George Avenue
 Wilkes-Barre, PA 18705
 570-822-6720 800-822-6720
 www.panzittasales.com

| Code No. | Part No. | Description | No. Req. | Code No. | Part No. | Description | No. Req. |
|----------|----------|----------------------|----------|----------|----------|---------------------|----------|
| 1 | 225876 | Handle & Screw Assy. | 1 | 12 | 226312 | Collar | 1 |
| 2 | 226282 | Handle Grip | 1 | 13 | 226246 | Screw | 1 |
| 3 | 226283 | Control Lever | 1 | 14 | 900934 | Bearing Assy. | 1 |
| 4 | 226281 | Holder | 1 | 15 | 226286 | Drag Plug | 1 |
| 5 | 226372 | Spring | 1 | 16 | 226285 | Drag Adjusting Plug | 1 |
| 6 | 226280 | Plunger | 1 | 17 | 226375 | Drag Spring | 1 |
| 7 | 226273 | Dog | 1 | 18 | 204509 | Cotter Pin | 4 |
| 8 | 217873 | Roll Pin | 1 | 19 | 226524 | Trunnion | 1 |
| 9 | 226279 | Ratchet Wheel | 1 | 20 | 204549 | Cotter Pin | 1 |
| 10 | 226528 | Ratchet Lever | 1 | 21 | 226284 | Drag Tube | 1 |
| 11 | 204543 | Cotter Pin | 1 | 22 | 226296 | Lever Link | 2 |

ORDER BY PART NUMBER, NOT BY CODE NUMBER
 SEE BACK PAGE FOR COMPLETE NUMERICAL LISTING

MODEL J-798 SERIES "E"



| Code No. | Part No. | Description | No. Req. | Code No. | Part No. | Description | No. Req. |
|----------|----------|--------------------|----------|----------|----------|----------------|----------|
| 23 | 226244 | Arm | 2 | 38 | 226518 | Wheel | 4 |
| 24 | 226289 | Stay Rod | 3 | 39 | 212651 | Cap Screw | 8 |
| 25 | 226288 | Rear Cap Pin | 1 | 40 | 209967 | Lockwasher | 8 |
| 26 | 226521 | Cap | 1 | 41 | 225407 | L.H. Sideplate | 1 |
| 27 | 205345 | Set Screw | 2 | 42 | 225406 | R.H. Sideplate | 1 |
| 28 | 205321 | Set Screw | 2 | 43 | 201110 | Lockwasher | 10 |
| 29 | 226248 | Side Arm | 2 | 44 | 203295 | Nut | 10 |
| 30 | 226287 | Cross Pin | 1 | 45 | 212675 | Bolt | 8 |
| 31 | 226526 | Tee Nut | 1 | 46 | 226523 | Lever | 1 |
| 32 | 225403 | Front Bracket | 1 | 47 | 226371 | Spacer | 1 |
| 33 | 225923 | Rollpin | 4 | 48 | 226290 | Link Stud | 4 |
| 34 | 203205 | Ball | 4 | 49 | 226522 | Rear Lever | 1 |
| 35 | 225450 | Wheel & Fork Assy. | 4 | 50 | 209970 | Lockwasher | 8 |
| 36 | 225409 | Fork | 4 | 51 | 203349 | Nut | 8 |
| 37 | 226232 | Axle | 4 | 52 | 204337 | Washer | 2 |

ORDER BY PART NUMBER, NOT BY CODE NUMBER
SEE BACK PAGE FOR COMPLETE NUMERICAL LISTING

MODEL J-798 SERIES "E"

NUMERICAL LISTING OF PARTS

| Part No. | Code No. | Part No. | Code.No. | Part No. | Code No. | Part No. | Code No. |
|----------|----------|----------|----------|----------|----------|----------|----------|
| 201110 | 43 | 225403 | 32 | 226282 | 2 | 226521 | 26 |
| 203205 | 34 | 225406 | 42 | 226283 | 3 | 226522 | 49 |
| 203295 | 44 | 225407 | 41 | 226284 | 21 | 226523 | 46 |
| 203349 | 51 | 225409 | 36 | 226285 | 16 | 226524 | 19 |
| 204337 | 52 | 225450 | 35 | 226286 | 15 | 226526 | 31 |
| 204509 | 18 | 225876 | 1 | 226287 | 30 | 226528 | 10 |
| 204543 | 11 | 225923 | 33 | 226288 | 25 | 900934 | 14 |
| 204549 | 20 | 226232 | 37 | 226289 | 24 | | |
| 205321 | 28 | 226244 | 23 | 226290 | 48 | | |
| 205345 | 27 | 226246 | 13 | 226296 | 22 | | |
| 209967 | 40 | 226248 | 29 | 226312 | 12 | | |
| 209970 | 50 | 226273 | 7 | 226371 | 47 | | |
| 212651 | 39 | 226279 | 9 | 226372 | 5 | | |
| 212675 | 45 | 226280 | 6 | 226375 | 17 | | |
| 217873 | 8 | 226281 | 4 | 226518 | 38 | | |

ORDER BY PART NUMBER, **NOT** BY CODE NUMBER

PANZITTA SALES & SERVICE
72 George Avenue
Wilkes-Barre, PA 18705
570-822-6720 800-822-6720
www.panzittasales.com