

WALKER

**SERVICE
DIVISION**

Jack Parts Sheet
MODEL J-45
SERIES "A"

1/2 TON CAPACITY

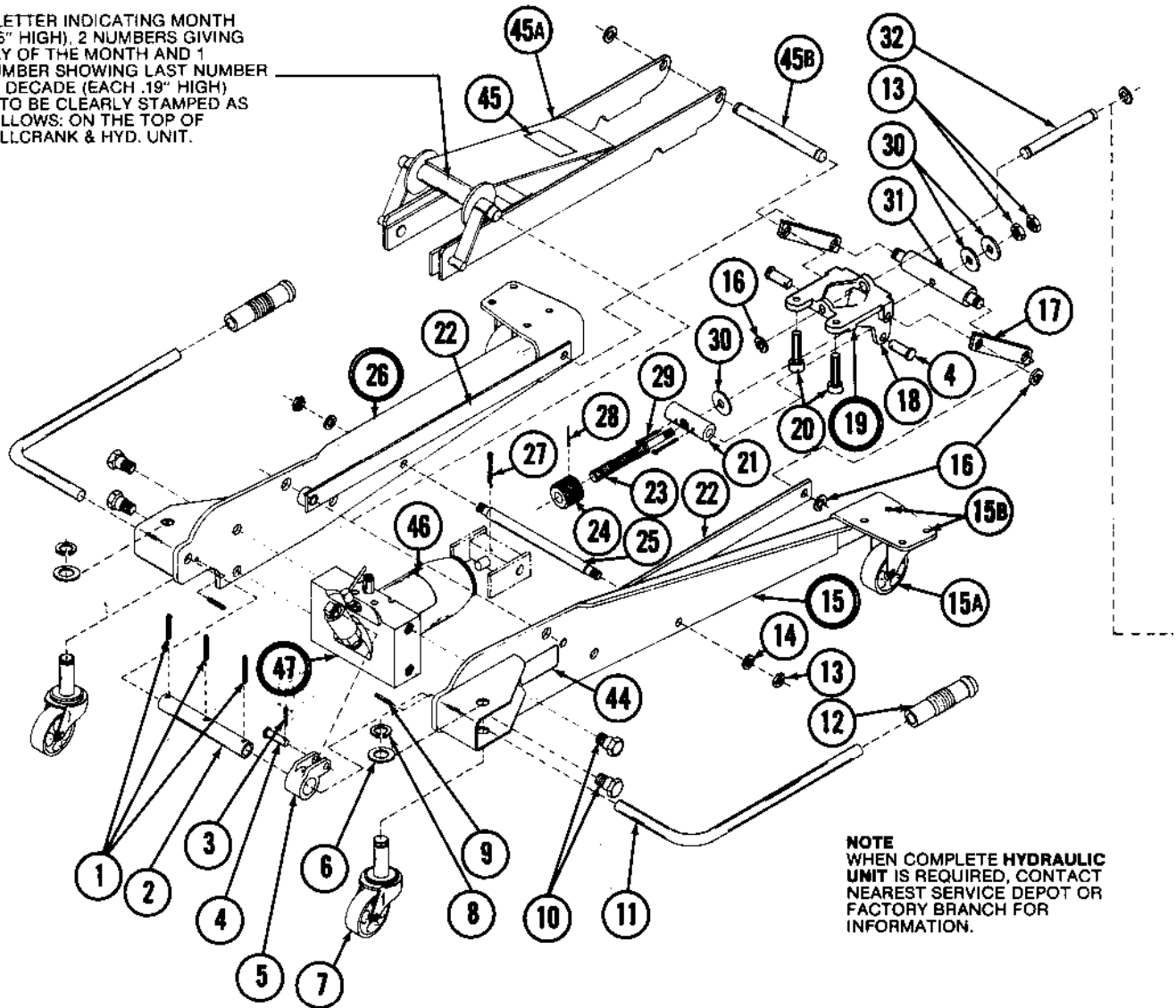
Hydraulic Transmission Jack



PANZITTA SALES & SERVICE
72 George Avenue
Wilkes-Barre, PA 18705
570-822-6720 800-822-6720
www.panzittasales.com

MODEL J-45 SERIES "A"

A LETTER INDICATING MONTH (.25" HIGH), 2 NUMBERS GIVING DAY OF THE MONTH AND 1 NUMBER SHOWING LAST NUMBER OF DECADE (EACH .19" HIGH) IS TO BE CLEARLY STAMPED AS FOLLOWS: ON THE TOP OF BELLCRANK & HYD. UNIT.



NOTE
WHEN COMPLETE HYDRAULIC UNIT IS REQUIRED, CONTACT NEAREST SERVICE DEPOT OR FACTORY BRANCH FOR INFORMATION.

NOTE: NEW CAUTION and INSTRUCTION PLATES, must be replaced on every repair. (See Code Number 46)

Code No.	Part No.	Part Name	No. Req'd	Code No.	Part No.	Part Name	No. Req'd
1	219531	Roll Pin	3	25	227714	Pin - Spacer	1
2	227579	Tube - Handle Socket	1	26	227677	Sideplate - Ass'y - L.H.	1
3	204426	Cotter Pin	1	27	204511	Cotter Pin	1
4	214599	Pin	3	28	217782	Roll Pin	1
5	227576	Handle Socket	1	29	227766	Cotter Pin	2
6	204324	Washer	2	30	227717	Washer	3
7	227725	Caster	2	31	227715	Tilt Pin	1
8	214557	Retaining Ring	2	32	224889	Pin	1
9	217652	Roll Pin	2	33	220860	Chain & Terminal Ass'y	1
10	226364	Shoulder Bolt	4	34	227706	Arm & Blade Ass'y - Long	2
11	227723	Handle - Pump	2	35	227731	Top Plate & Blade Ass'y	1
12	221365	Handle Grip	2	36	227695	Top Plate Ass'y	1
13	203275	Nut	4	37	227709	Arm & Blade Ass'y - Short	2
14	201789	Lockwasher	2	38	227699	Hook Assembly	1
15	227676	Sideplate Ass'y - R.H.	1	39	212650	Bolt	6
15A	214145	Caster	2	40	204279	Washer	6
15B	202575	Rivet	8	41	212652	Bolt	2
16	201801	Retaining Ring	6	42	227692	Tilt Pad & Block Ass'y	1
17	227720	Link	2	43	201099	Lockwasher	4
18	227721	Cradle	1	44		Name Plate	1
19	228002	Cradle & Tilt Pad Ass'y	1	45		Logo Label	1
20	227726	Tilt Screw	2	45A	227682	Bellcrank Ass'y	1
21	227724	Pivot Nut	1	45B	227719	Lower Cradle Pin	1
22	227765	Stud & Link Ass'y	2	46	227728	Instruction Plate	1
23	227718	Tilt Screw	1	47	See Note	Hyd. Unit Ass'y	1
24	218962	Knob	1				

**ORDER BY PART NUMBER, NOT BY CODE NUMBER
SEE BACK PAGE FOR COMPLETE NUMERICAL LISTING**

MODEL J-45 SERIES "A"

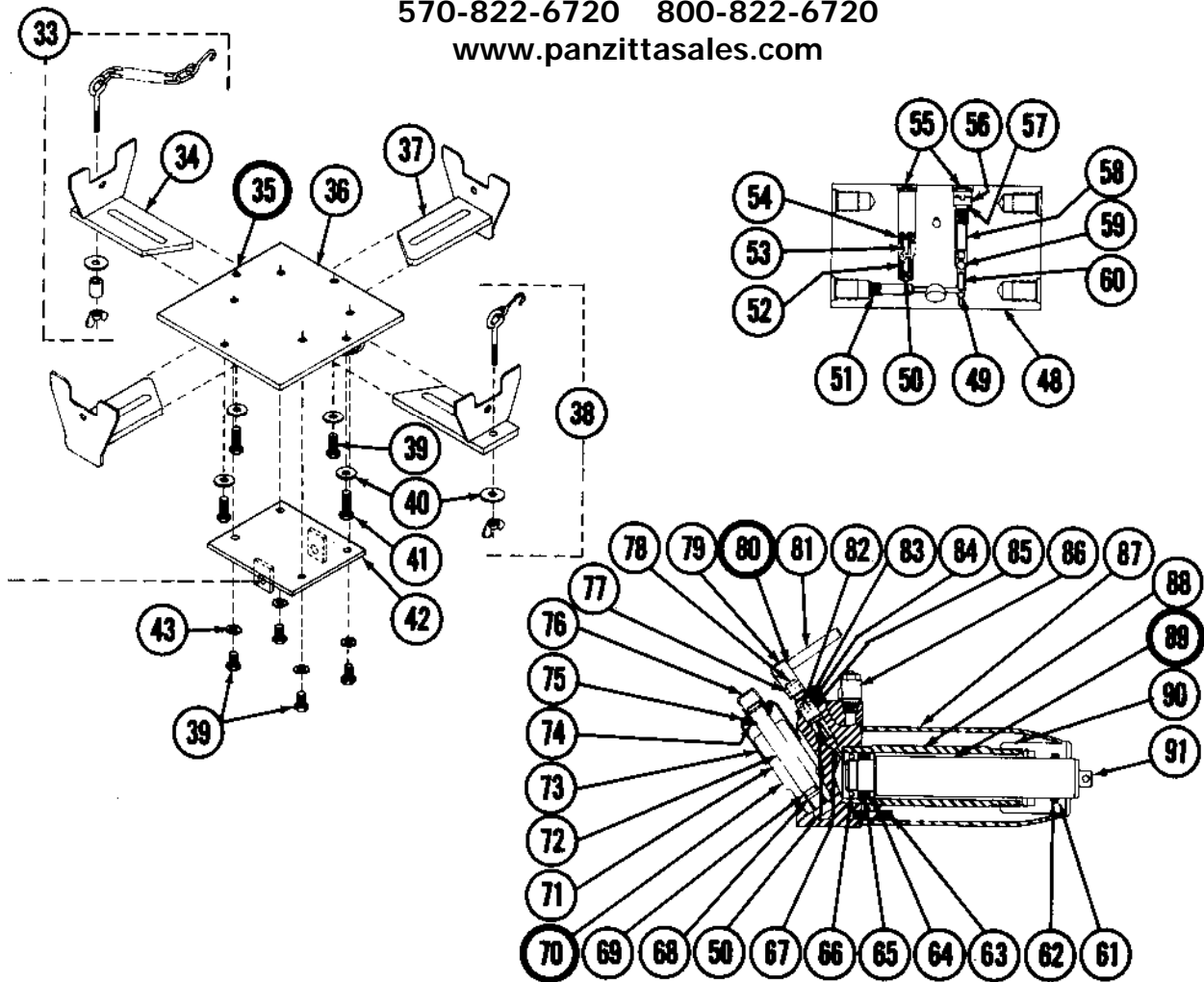
PANZITTA SALES & SERVICE

72 George Avenue

Wilkes-Barre, PA 18705

570-822-6720 800-822-6720

www.panzittasales.com



NOTE: NEW CAUTION and INSTRUCTION PLATES, must be replaced on every repair. (See Code Number 46)

Code No.	Part No.	Part Name	No. Req'd	Code No.	Part No.	Part Name	No. Req'd
48	225515	Hyd. Unit Block	1	70	227670	Pump Ass'y	1
49	203198	Ball (1/32 Dia.)	1	71	227671	Cylinder	1
50	203196	Ball (1/32 Dia.)	2	72	227672	Piston	1
51	210311	Plug (1/4)	1	73	226357	Sleeve	1
52	226376	Adapter	1	74	201801	Retaining Ring	1
53	226375	Spring - Safety Valve	1	75	227571	Grommet	1
54	226373	Adjusting Nut	1	76	209910	Pump Clip	1
55	201733	Expansion Plug	2	77	218989	Roll Pin	1
56	211013	Pressure Plug	1	78	227564	Release Stem	1
57	204842	Gasket	1	79	227565	Coupling	1
58	211014	Discharge Spacer	1	80	227583	Release Stem Ass'y	1
59	203201	Ball (1/16 Dia.)	1	81	227566	Roll Pin	1
60	226330	Suction Spacer	1	82	222940	Screw - Retainer Plate	2
61	221747	Back-up Washer	1	83	218414	Retainer Plate	1
62	221748	Quad Ring	1	84	212374	Back-up Washer	1
63	221318	Screen	1	85	212375	"O" Ring	1
64	224867	Back-up Washer	1	86	227095	Filler Plug Ass'y	1
65	224760	Heel Plate	1	87	226346	Oil Tank	1
66	227919	"U" Cup	1	88	226347	Cylinder	1
67	224061	Release Valve	1	89	225518	Ram Assembly	1
68	216143	"O" Ring	1	90	225516	Tank Nut	1
69	227673	Washer	1	91	225517	Ram	1

**ORDER BY PART NUMBER, NOT BY CODE NUMBER
SEE BACK PAGE FOR COMPLETE NUMERICAL LISTING**

MODEL J-45 SERIES "A"

NUMERICAL LISTING OF PARTS

Part No.	Code No.	Part No.	Code No.	Part No.	Code No.	Part No.	Code No.
201099	43	214557	8	226330	60	227692	42
201733	55	214599	4	226346	87	227695	36
201789	14	216143	68	226347	88	227699	38
201801	16, 74	217652	9	226357	73	227706	34
202575	15B	217782	28	226364	10	227709	37
203196	50	218414	83	226373	54	227714	25
203198	49	218962	24	226375	53	227715	31
203201	59	218989	77	226376	52	227717	30
203275	13	219531	1	227095	86	227718	23
204279	40	220860	33	227563	80	227719	45B
204324	6	221318	63	227564	78	227720	17
204426	3	221365	12	227565	79	227721	18
204511	27	221747	61	227566	81	227723	11
204842	57	221748	62	227571	75	227724	21
209910	76	222940	82	227576	5	227725	7
210311	51	224061	67	227579	2	227726	20
211013	56	224760	65	227670	70	227728	46
211014	58	224867	64	227671	71	227731	35
212374	84	224889	32	227672	72	227765	22
212375	85	225515	48	227673	69	227766	29
212650	39	225516	90	227676	15	227919	66
212652	41	225517	91	227677	26	228002	19
214145	15A	225518	89	227682	45A		

ORDER BY PART NUMBER, NOT BY CODE NUMBER

PANZITTA SALES & SERVICE

72 George Avenue

Wilkes-Barre, PA 18705

570-822-6720 800-822-6720

www.panzittasales.com