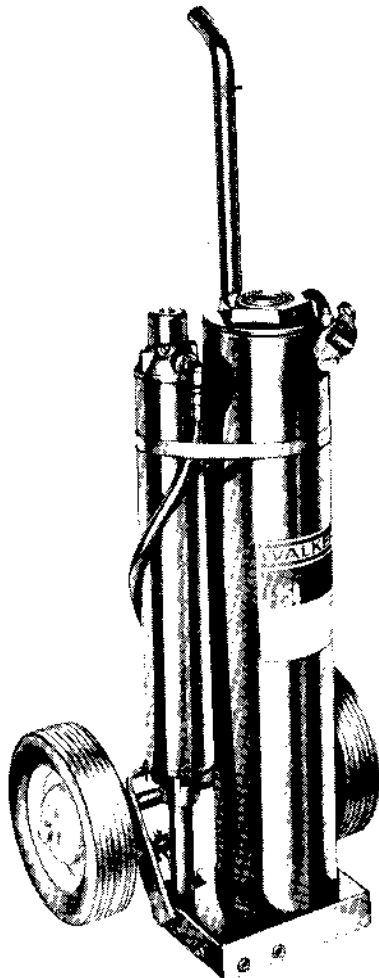


PANZITTA SALES & SERVICE  
72 George Avenue  
Wilkes-Barre, PA 18705  
570-822-6720 800-822-6720  
[www.panzittasales.com](http://www.panzittasales.com)

# WALKER SERVICE DIVISION

## JACK PARTS MANUAL

MODEL J-254  
20 TON CAPACITY



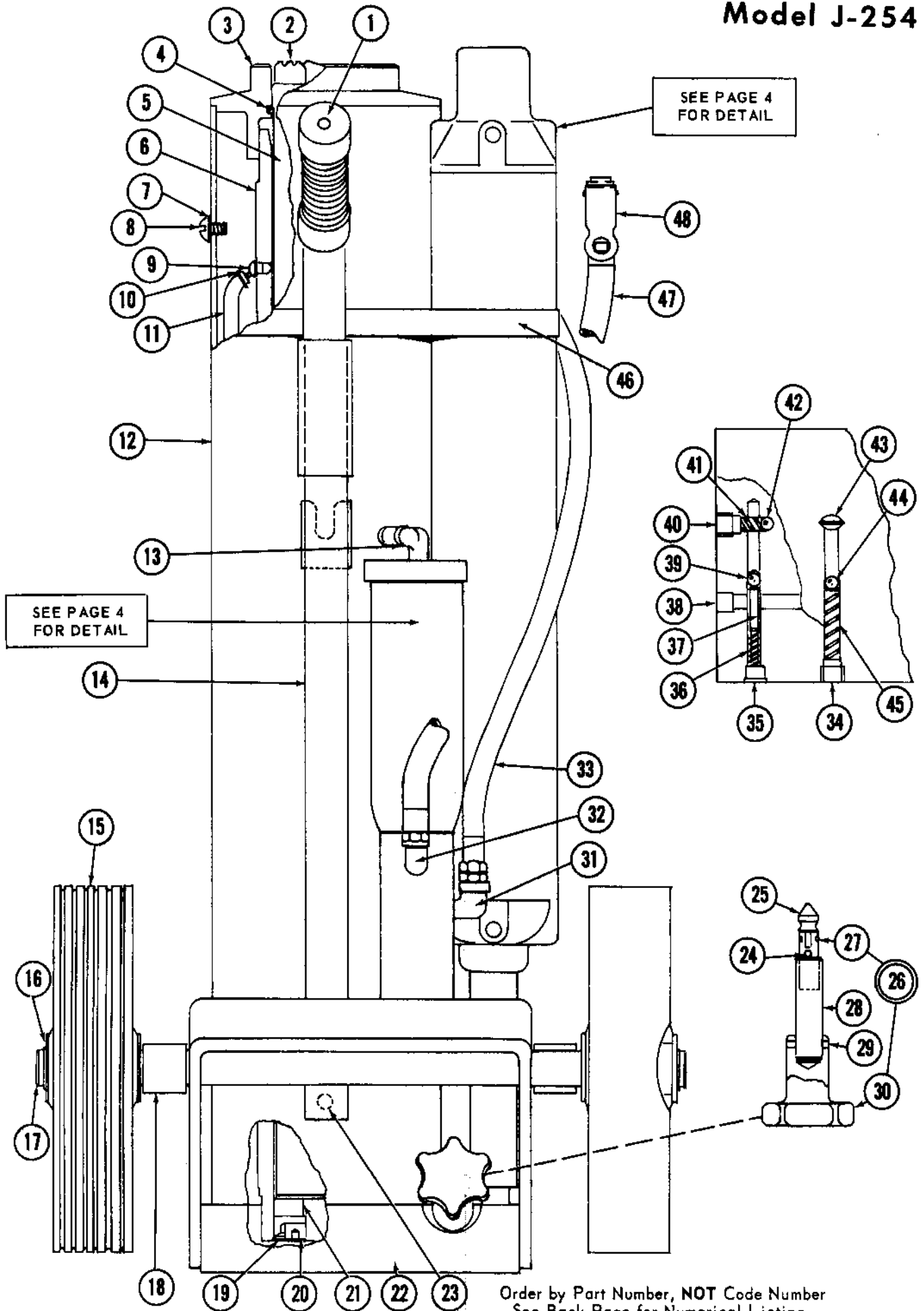
# Model J-254

Code No.	Part Number	Description	No. Reqd.
1	223164	Handle Grip .....	1
2	210632	Lifting Cap .....	1
3	224133	Tank Nut .....	1
4	See Note 1	"O" Ring - Ram Gland .....	1
5	224809	Ram & Cap Assembly.....	1
6	224045	Cylinder .....	1
7	See Note 1	Gasket - Air Vent .....	1
8	224073	Air Vent Screw .....	1
9	224120	Snorkel Fitting .....	1
10	221059	Hose Clamp .....	1
11	224121	Snorkel Tube .....	1
12	224605	Oil Tank Assembly.....	1
13	222202	Elbow .....	1
14	224824	Handle & Grip .....	1
15	224181	Wheels .....	2
16	214557	Retaining Ring .....	2
17	224235	Axle .....	1
18	224052	Spacer - Wheel.....	2
19	See Note 1	Ram Cup.....	1
20	WH-4441	Nut - Ram Cup.....	1
21	WH-4461	Heel Plate .....	1
22	224048	Base .....	1
23	224361	Drive Screw .....	1
24	203196	Ball - Release.....	1
25	224061	Release Valve Tip.....	1
26	224057	Release Handle Assembly.....	1
27	See Note 1	"O" Ring.....	1
28	224060	Release Stem.....	1
29	217898	Rollpin .....	1
30	224058	Hand Knob .....	1
31	222202	Elbow .....	1
32	222202	Elbow .....	1
33	224024	Air Hose.....	1
34	222994	Pipe Plug.....	1
35	222994	Pipe Plug.....	1
36	WH-10141	Spring .....	1
37	213728	Spacer.....	1
38	210311	Pipe Plug.....	1
39	See Note 1	Valve Ball.....	1
40	222994	Pipe Plug.....	1
41	216647	Spring .....	1
42	See Note 1	Valve Ball.....	1
43	222533	Screen.....	1
44	See Note 1	Valve Ball .....	1
45	224053	Spring .....	1
46	224602	Mounting Strap.....	1
47	224025	Air Hose Assembly (No Valve).....	1
48	223180	Air Valve .....	1

Note 1 - Repair Kit item. Order RK-950.

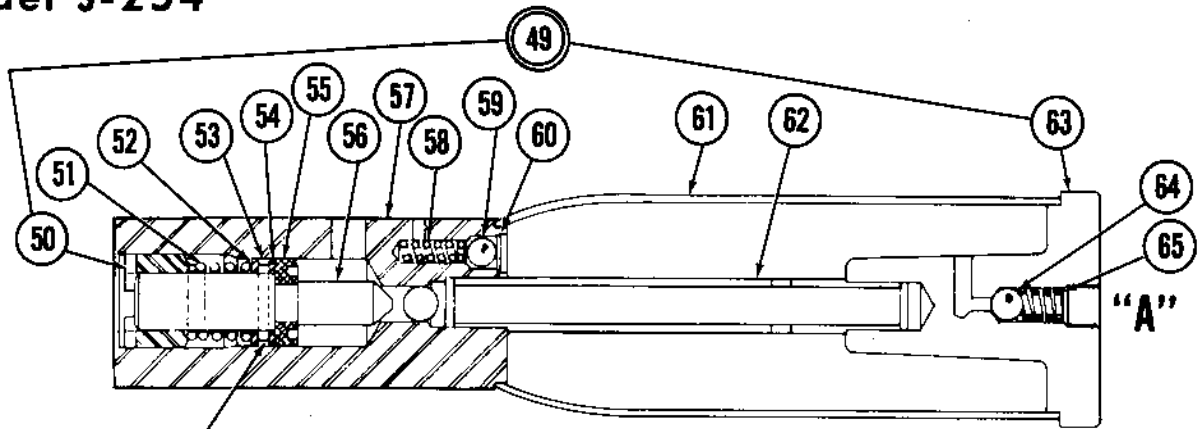
Order by Part Number, **NOT** Code Number  
See Back Page for Numerical Listing

# Model J-254



Order by Part Number, NOT Code Number  
See Back Page for Numerical Listing

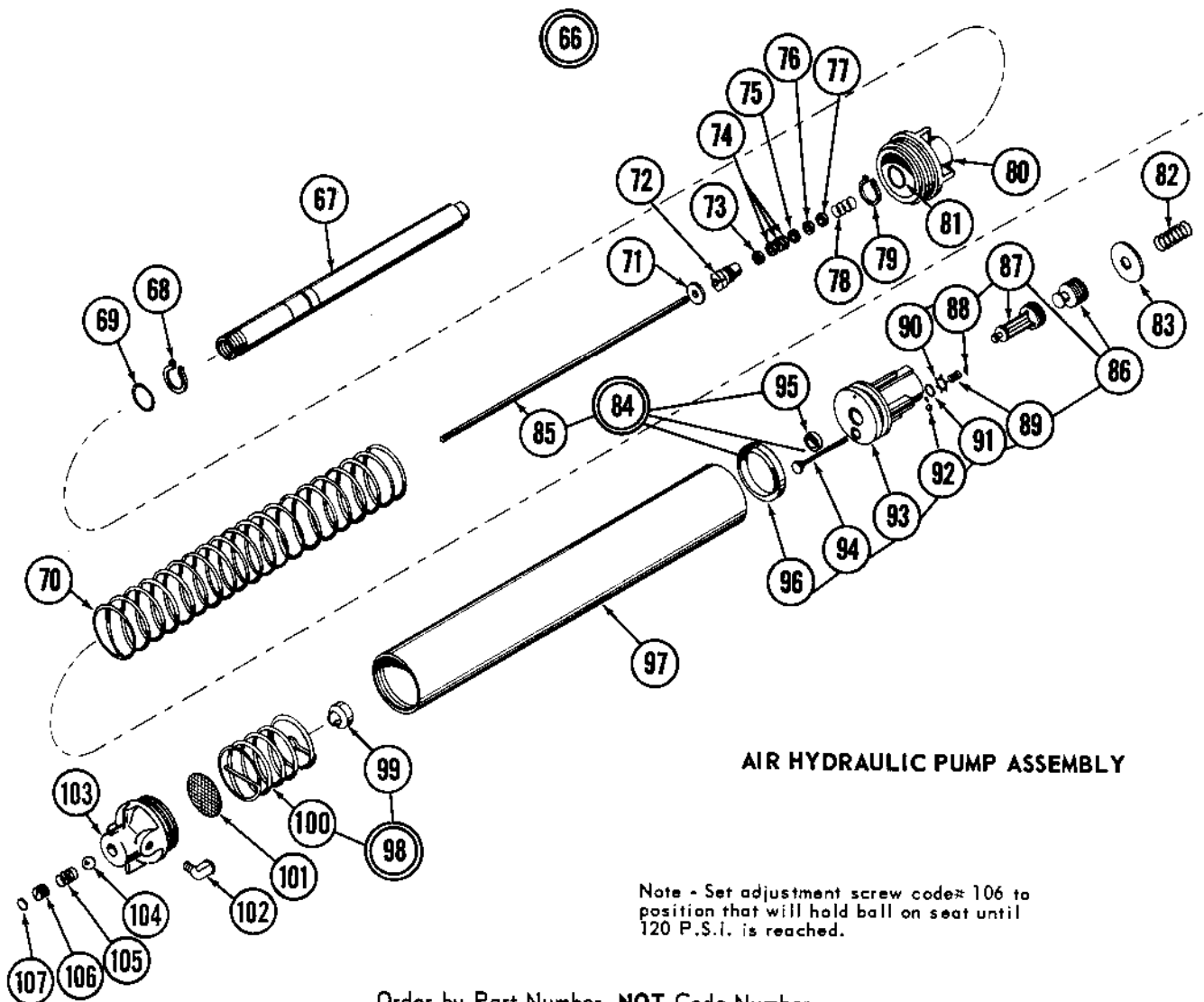
# Model J-254



Rollpin may not  
Protrude more than  
.100 on either side

## WATER SEPARATOR & DIFFERENTIAL VALVE ASSEMBLY

Note - Adjust code# 50  
pressure packing nut  
so differential valve  
opens at 60 P.S.I.,  
when opening "A" is  
plugged and Air Pressure  
is applied to air inlet.



## AIR HYDRAULIC PUMP ASSEMBLY

Note - Set adjustment screw code# 106 to  
position that will hold ball on seat until  
120 P.S.I. is reached.

Order by Part Number, **NOT** Code Number  
See Back Page for Numerical Listing

# Model J-254

Code No.	Part No.	Description	No. Req'd.
49	224236	Water Sep. & Diff. Valve Assembly	1
50	222209	Pressure Packing Nut	1
51	224160	Diff. Valve Spring	1
52	224213	Washer	1
53	221276	Rollpin (See Special Note)	1
54	224213	Washer	1
55	216523	"U" Cup	1
56	224212	Diff. Valve	1
57	224210	Diff. Valve Block	1
58	224163	Spring	1
59	203200	Valve Ball	1
60	221880	Retaining Ring	1
61	223910	Tank	1
62	224186	Center Tube	1
63	224162	End Block	1
64	203199	Valve Ball	1
65	224074	Spring	1
66	224153	Air Hyd. Pump Assembly	1
67	224036	Cylinder	1
68	221820	Retaining Ring	1
69	See Note 1	"O" Ring	1
70	223173	Return Spring	1
71	223203	Trip Washer	1
72	223177	Pump Gland Nut	1
73	223195	Adapter	1
74	See Note 1	Leather "V" Packing	3
75	See Note 1	"V" Packing - Teflon	1
76	See Note 1	Leather "V" Packing	1
77	223196	Adapter	1

Code No.	Part No.	Description	No. Req'd.
78	223174	Spring	1
79	221820	Retaining Ring	1
80	223193	End Block	1
81	224469	Washer	1
82	224368	Trip Spring	1
83	223203	Trip Washer	1
84	224037	Piston Assembly	1
85	224038	Pump Rod	1
86	223183	Plug	1
87	223678	Pump Packing & Piston Assembly	1
88	223185	Hairpin Cotter	1
89	223184	Spring	1
90	223268	Retaining Ring	1
91	See Note 1	"O" Ring	1
92	220834	Lead Ball	1
93	224808	Piston & Lead Ball Assembly	1
94	223187	Valve Plunger	1
95	See Note 1	"U" Cup	1
96	See Note 1	"U" Cup	1
97	224034	Air Cylinder	1
98	223194	Spring & Rubber Cushion Assembly	1
99	223679	Rubber Cushion	1
100	223175	Spring	1
101	223680	Screen	1
102	222202	Elbow	1
103	224155	Cylinder Cap	1
104	203202	Ball	1
105	224156	Spring	1
106	WH-231	Adj. Screw	1
107	201733	Plug	1

Note 1 - Repair Kit Item. Order RK-950.

**PANZITTA SALES & SERVICE**  
 72 George Avenue  
 Wilkes-Barre, PA 18705  
 570-822-6720 800-822-6720  
[www.panzittasales.com](http://www.panzittasales.com)

### NUMERICAL LISTING OF PARTS

Part No.	Code No.	Part No.	Code No.	Part No.	Code No.	Part No.	Code No.
WH231	106	222209	50	223680	101	224155	103
WH4441	20	222533	43	223910	61	224156	105
WH4461	21	222994	34, 35,	224024	33	224160	51
WH10141	36		40	224025	47	224162	63
201733	107	223164	1	224034	97	224163	58
203196	24	223173	70	224036	67	224181	15
203199	64	223174	78	224037	84	224186	62
203200	59	223175	100	224038	85	224210	57
203202	104	223177	72	224045	6	224212	56
210311	38	223180	48	224048	22	224213	52, 54
210632	2	223183	86	224052	18	224235	17
213728	37	223184	89	224053	45	224236	49
214557	16	223185	88	224057	26	224361	23
216523	55	223187	94	224058	30	224368	82
216647	41	223193	80	224060	28	224469	81
217898	29	223194	98	224061	25	224602	46
220834	92	223195	73	224073	8	224605	12
221059	10	223196	77	224074	65	224808	93
221276	53	223203	71, 83	224120	9	224809	5
221820	68 & 79	223268	90	224121	11	224824	14
221880	60	223678	87	224133	3		
222202	13, 31, 32, 102	223679	99	224153	66		

Order by Part Number, **NOT** Code Number  
See Back Page for Numerical Listing

**PANZITTA SALES & SERVICE**  
72 George Avenue  
Wilkes-Barre, PA 18705  
570-822-6720 800-822-6720  
[www.panzittasales.com](http://www.panzittasales.com)