

PANZITTA SALES & SERVICE
72 George Avenue
Wilkes-Barre, PA 18705
570-822-6720 800-822-6720
www.panzittasales.com

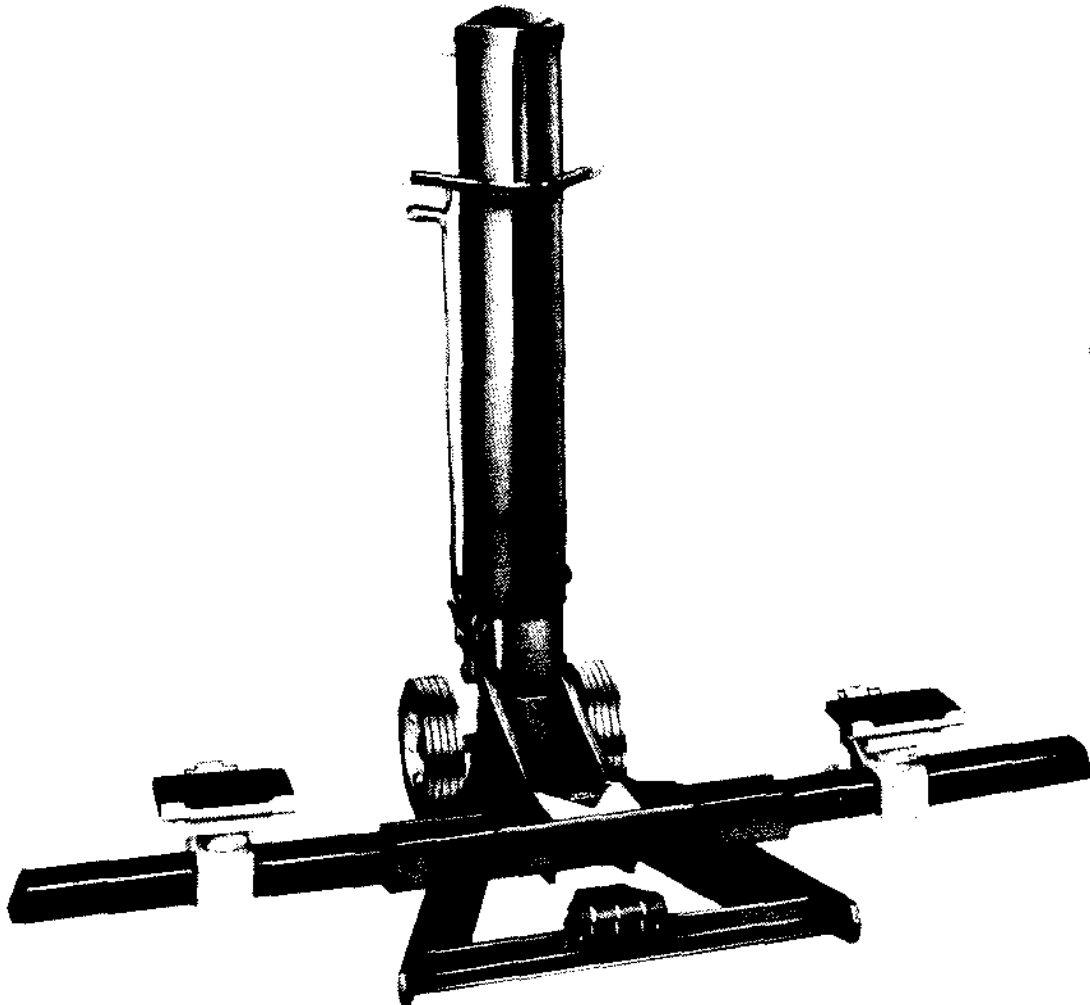
WALKER SERVICE DIVISION

JACK PARTS MANUAL

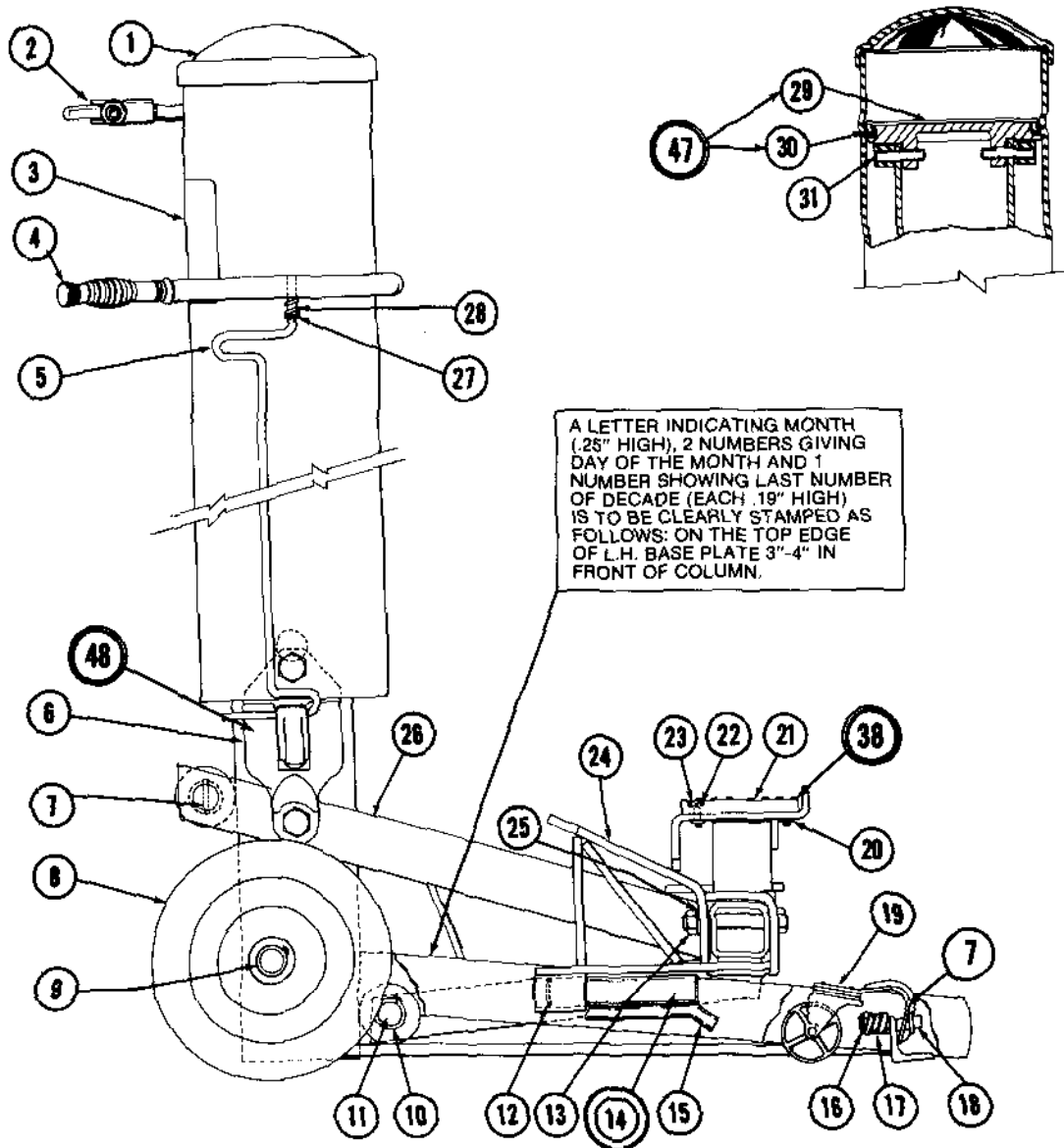
MODEL J-103
SERIES "A"

1-1/2 TON CAPACITY

AIR OPERATED ONE END LIFT



MODEL J-103 SERIES "A"

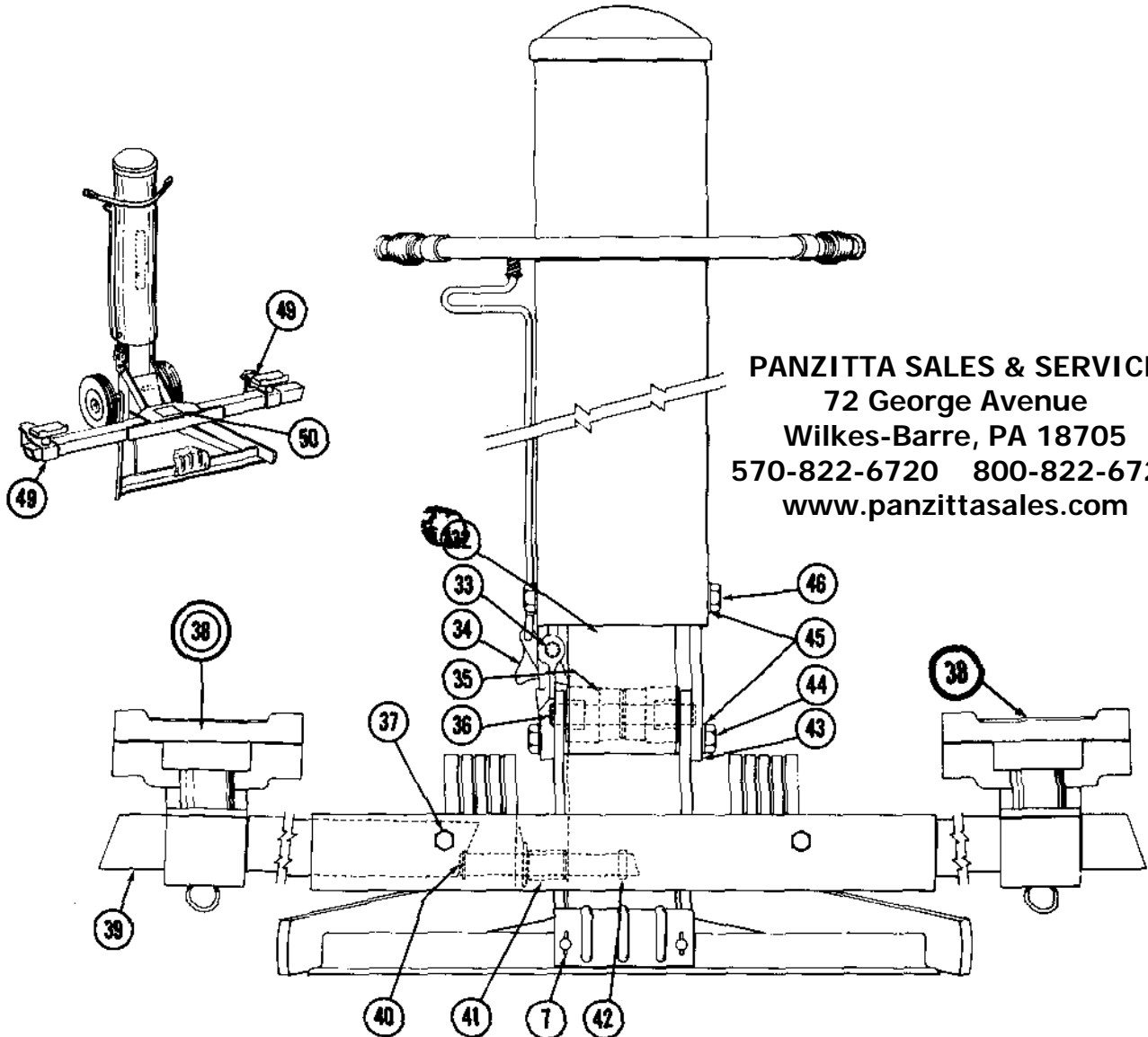


NOTE: NEW "INSTRUCTION and/or CAUTION PLATE", must be replaced on every repair. (See Code Numbers 3 & 49 for Part Number)

Code No.	Part No.	Part Name	No. Req'd	Code No.	Part No.	Part Name	No. Req'd
1	225461	Cylinder Ass'y	1	14	228117	Rod, Finger & Ring Ass'y Consists of 12 & 15	2
2	225607	Air Valve	1	15	228114	Rod & Finger Ass'y	2
3	226601	Instruction Plate	1	16	204271	Washer - Caster Spring	2
4	221365	Handle Bar Grip	2	17	223707	Spring - Caster Bracket	2
5	221850	Handle - Safety Dog	1	18	217889	Pin - Spring, Caster Bracket	2
6	221592	Tension Link - R.H.	1	19	217890	Caster & Bracket Ass'y	1
7	220812	Rollpin - Rear, Roller Axle & Cst.	3	20	225958	Retaining Nut	8
8	221623	Wheels	2	21	225956	Lifting Pad	2
9	214557	Retaining Ring - Wheel	2	22	204235	Washer	8
10	210683	Retaining Ring - Roller Axle	2	23	225957	Screw	8
11	221369	Roller Axle	1	24	226088	Saddle Ass'y (Yellow)	2
12	227015	Retainer Ring	2	25	229970	Lock Washer - Lifting Beam	2
13	203349	Nut - Lifting Beam	2				

**ORDER BY PART NUMBER, NOT BY CODE NUMBER
SEE BACK PAGE FOR COMPLETE NUMERICAL LISTING**

MODEL J-103 SERIES "A"



NOTE: NEW "INSTRUCTION and/or CAUTION PLATE", must be replaced on every repair.
 (See Code Numbers 3 & 49 for Part Number)

Code No.	Part No.	Part Name	No. Req'd	Code No.	Part No.	Part Name	No. Req'd
26	226078	Lifting Frame Ass'y	1	40	221624	Axle-Wheel	1
27	223282	Washer-Safety Dog Handle	1	41	221625	Spacer-Wheel	2
28	221349	Spring-Safety Dog Handle	1	42	222822	Pin-Wheel Axle	1
29	223238	Piston	1	43	224582	Tension Link-L.H.	1
30	223239	"U" Cup-Piston	1	44	221357	Bolt-Tension Link to Frame	2
31	222230	Groove Pin-Piston Retaining	2	45	201777	Lock Washer-Tension Link Bolt	4
32	222030	Column & Base Ass'y	1	46	221488	Bolt-Tension Link to Cylinder	2
33	221360	Pin-Safety Dog	1	47	223244	Piston Assembly	1
34	226620	Safety Dog	1	48	223251	R.H. Tension Link Ass'y Consisting of Codes 6, 33 & 34	1
35	223291	Roller & Bearing Ass'y	4	49	227385	Label-Saddle	2
36	222007	Roller Axle-Rear	1	50	226204	Instruction Plate	1
37	226086	Bolt-Lifting Beam	2				
38	226087	Lifting Pad Ass'y	2				
39	226083	Lifting Beam Ass'y	2				

ORDER BY PART NUMBER, NOT BY CODE NUMBER
SEE BACK PAGE FOR COMPLETE NUMERICAL LISTING

MODEL J-103 SERIES "A"

NUMERICAL LISTING OF PARTS

Part No.	Code No.	Part No.	Code No.	Part No.	Code No.	Part No.	Code No.
201777	45	221369	11	223239	30	226086	37
203349	13	221488	46	223244	47	226087	38
204235	22	221592	6	223282	27	226088	24
204271	16	221623	8	223291	35	226098	48
210683	10	221624	40	223707	17	226204	50
214557	9	221625	41	224592	43	226601	3
217889	18	221850	5	225461	1	226620	34
217890	19	222007	36	225607	2	227015	12
220812	7	222030	32	225956	21	227385	49
221349	28	222230	31	225957	23	228000	47
221357	44	222251	48	225958	20	228114	15
221360	33	222822	42	226078	26	228117	14
221365	4	223238	29	226083	39	229970	25

ORDER BY PART NUMBER, **NOT** BY CODE NUMBER

PANZITTA SALES & SERVICE

72 George Avenue

Wilkes-Barre, PA 18705

570-822-6720 800-822-6720

www.panzittasales.com