

PANZITTA SALES & SERVICE
72 George Avenue
Wilkes-Barre, PA 18705
570-822-6720 800-822-6720
www.panzittasales.com

WALKER®

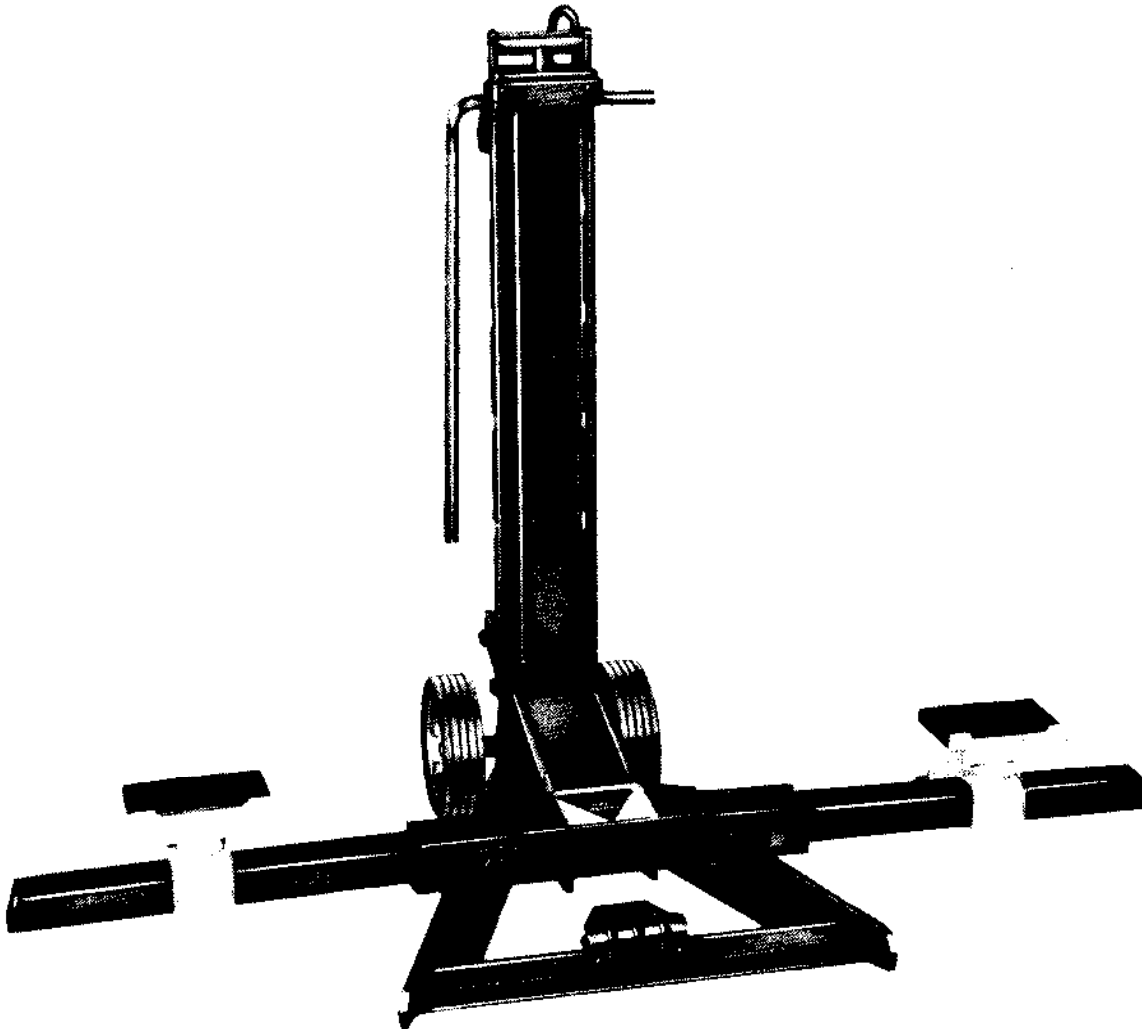
**SERVICE
DIVISION**

Jack Parts Sheet

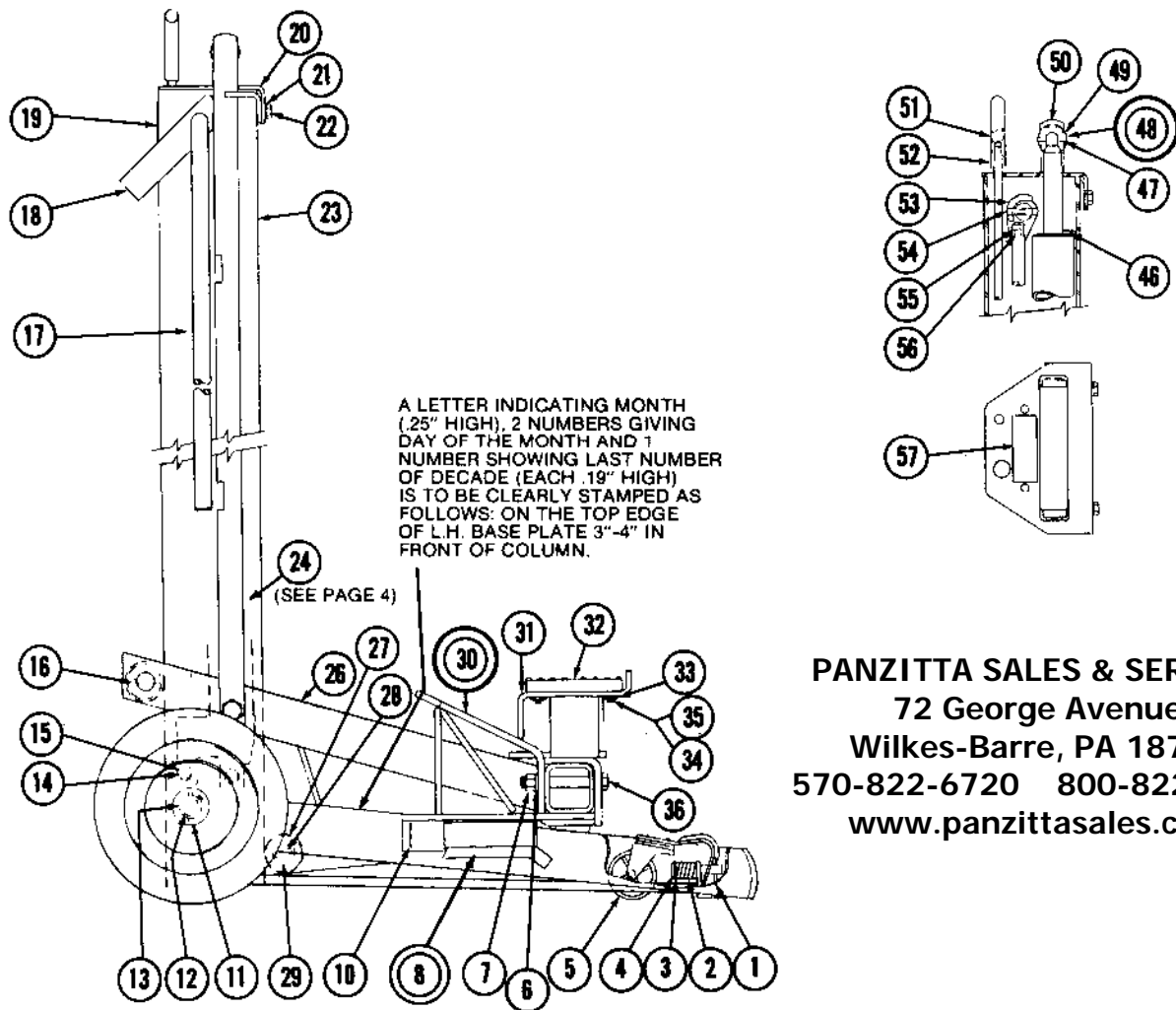
MODEL J-102

SERIES B

HYDRAULIC ONE END LIFT



MODEL J-102 SERIES "B"



PANZITTA SALES & SERVICE
 72 George Avenue
 Wilkes-Barre, PA 18705
 570-822-6720 800-822-6720
 www.panzittasales.com

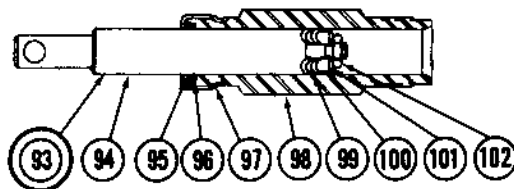
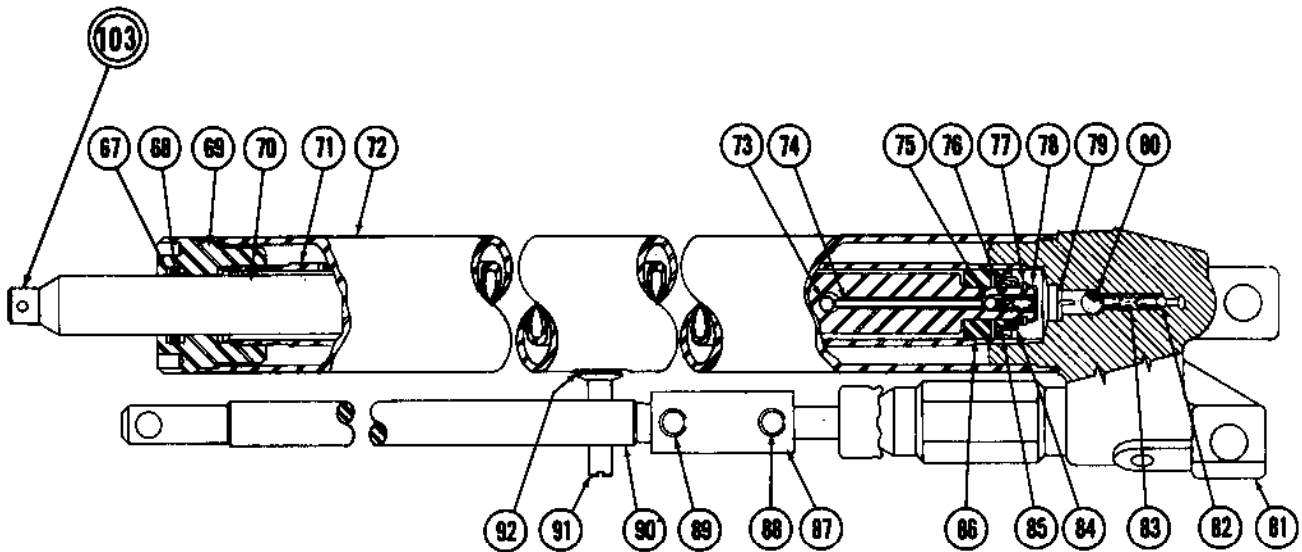
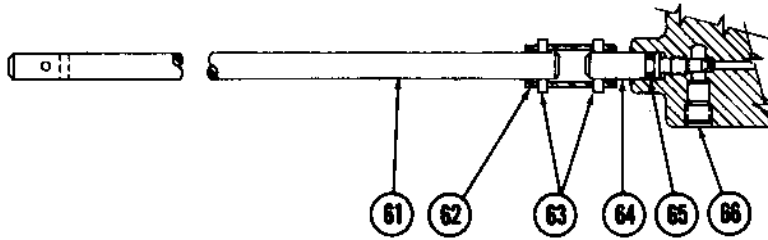
NOTE: NEW CAUTION and INSTRUCTION PLATES, must be replaced on every repair.
 (Code Numbers 19, 58 & 60)

Code No.	Part No.	Part Name	No. Req'd	Code No.	Part No.	Part Name	No. Req'd
1	220812	Roll pin	2	17	219956	Pump Handle	1
2	223707	Spring	2	18	219953	Safety Dog	1
3	204271	Washer	2	19	226602	Instruction Plate	1
4	217889	Pin	2	20	228254	Top Cover	1
5	217890	Caster Brk't Ass'y	1	21	201771	Washer	2
6	209970	Lockwasher	2	22	227383	Capscrew	2
7	203349	Nut	2	23	221627	Column & Base Ass'y	1
8	228117	Rod, Finger, & Ring Ass'y	2	24	See Page 4	Hyd. Unit Ass'y	1
				26	226099	Lifting Frame Ass'y	1
				27	219950	Roller	4
10	227015	Retaining Ring	1	28	221369	Axle - Roller	1
11	222822	Groove Pin	1	29	210683	Retaining Ring	2
12	221624	Axle - Roller	1	30	226087	Lifting Saddle Complete	2
13	214557	Retaining Ring	2	31	226088	Lifting Saddle Ass'y	2
14	219962	Support Pin - Hyd. Unit	2	32	204235	Lifting Pad	2
15	211436	Retaining Ring	2	33	225956	Washer	8
16	220812	Roll Pin	1	34	225957	Screw	8

ORDER BY PART NUMBER, NOT BY CODE NUMBER
 SEE BACK PAGE FOR COMPLETE NUMERICAL LISTING

MODEL J-102 SERIES "B"

PANZITTA SALES & SERVICE
 72 George Avenue
 Wilkes-Barre, PA 18705
 570-822-6720 800-822-6720
 www.panzittasales.com

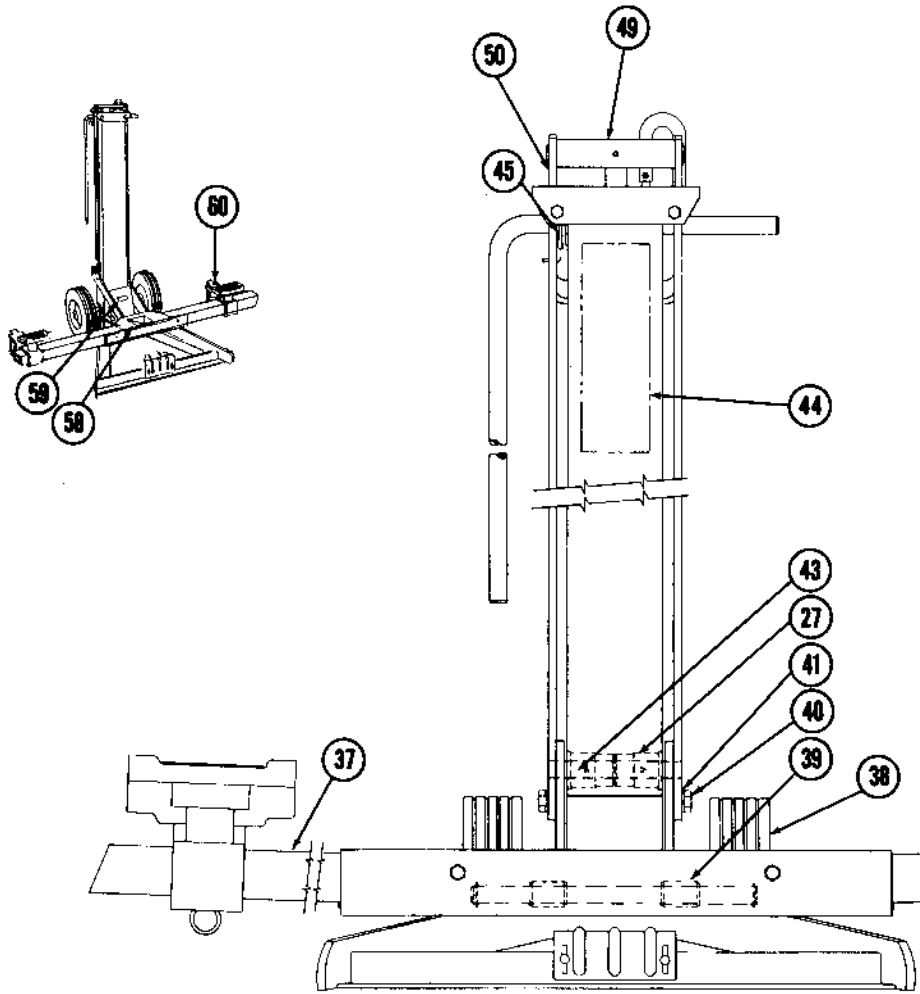


(24)

NOTE
 WHEN COMPLETE **HYDRAULIC UNIT** IS REQUIRED, CONTACT NEAREST SERVICE DEPOT OR FACTORY BRANCH FOR INFORMATION.

ORDER BY PART NUMBER, NOT BY CODE NUMBER
 SEE BACK PAGE FOR COMPLETE NUMERICAL LISTING

MODEL J-102 SERIES "B"



Code No.	Part No.	Part Name	No. Req'd	Code No.	Part No.	Part Name	No. Req'd
35	225958	Speed Nut	8	51	219954	Release Lever	1
36	226086	Bolt	2	52	218989	Roll Pin - Release	1
37	226083	Lifting Beam Ass'y	2	53	226562	Pump Lever	1
38	221623	Wheel	2	54	220971	Groove Pin	2
39	221625	Spacer	2	55	220300	Fulcrum Pin - Pump	1
40	218279	Bolt - Tension Link	2	56	220018	Retaining Ring	1
41	201105	Lockwasher	2	57	220849	Decal	1
43	222007	Axle - Roller	1	58	226204	Instruction Plate	1
44		Logo Label	1	59		Name Plate	1
45	219955	Spring - Safety Dog	1	60	227385	Label - Saddle Pos.	2
46	219965	Guide - Hyd. Unit	1	61	221642	Rod - Release	1
47	219960	Roll Pin - Ram to Cross Hd.	1	62	217641	Connector - Rod	1
48	221628	Crosshead & Tension Link Ass'y	1	63	217649	Roll Pin	2
				64	217439	Stem - Release	1
				65	214555	"O" Ring	1
49	219963	Crosshead	1	66	210311	Plug - 1/8 N.P.T.	3
50	221629	Tension Link	2				

ORDER BY PART NUMBER, **NOT** BY CODE NUMBER
SEE BACK PAGE FOR COMPLETE NUMERICAL LISTING

PANZITTA SALES & SERVICE
72 George Avenue
Wilkes-Barre, PA 18705
570-822-6720 800-822-6720
www.panzittasales.com

MODEL J-102 SERIES "B"

Code No.	Part No.	Part Name	No. Req'd	Code No.	Part No.	Part Name	No. Req'd
67	227366	Washer - Back-up	1	86	226428	Heel Plate	1
68	221641	Quad Ring	1	87	217783	Connector	1
69	227365	Tank Nut	1	88	211433	Snap Rings	2
70	221631	Ram	1	89	219961	Pin	2
71	221630	Cylinder	1	90	221643	Pump Link	1
72	221633	Reservoir	1	91	218195	Filler Screw	1
73	221637	Pin - Ram Up Stop	1	92	200003	Gasket - Filler Screw	1
74	221636	Rod - Ram Up Stop	1	93	218536	Pump Ass'y	1
75	203197	Ball (3/16 Dia.)	1	94	218534	Pump	1
76	217809	Spring	1	95	218543	Back-up Washer - Pump	1
77	200027	Retainer Ring	1	96	216525	"O" Ring	1
78	221640	Screen - Ram	1	97	218535	Cap - Pump	1
79	217656	Retainer - Ball	1	98	218541	Cylinder - Pump	1
80	203201	Ball	1	99	201827	"Vee" Packing	3
81	226607	Base	1	100	218542	Male Adapter	1
82	203197	Ball	1	101	218544	Washer	1
83	217809	Spring	1	102	212170	Nut - Hex.	1
84	221635	Cup - Retainer	1	103	228258	Complete Ram Ass'y	1
85	228255	"U" Cup - Ram	1				

ORDER BY PART NUMBER, NOT BY CODE NUMBER
SEE BACK PAGE FOR COMPLETE NUMERICAL LISTING

MODEL J-102 SERIES "B"

NUMERICAL LISTING OF PARTS

Part No.	Code No.	Part No.	Code No.	Part No.	Code No.	Part No.	Code No.
200003	92	217889	4	220849	57	226083	37
200027	77	217890	5	220971	54	226086	36
201105	41	218195	91	221369	28	226087	30
201771	21	218279	40	221623	38	226088	31
201827	99	218534	94	221624	12	226099	26
203197	75, 82	218535	97	221625	39	226204	58
203201	80	218536	93	221627	23	226428	86
203349	7	218541	98	221628	48	226562	53
204235	32	218542	100	221629	50	226602	19
204271	3	218543	95	221630	71	226607	81
209970	6	218544	101	221631	70		
210311	66	218989	52	221633	72	227015	10
210683	29	219950	27	221635	84	227365	69
211433	88	219953	18	221636	74	227366	67
211436	15	219954	51	221637	73	227367	24
212170	102	219955	45	221640	78		
214555	65	219956	17	221641	68	227383	22
214557	13	219960	47	221642	61	227385	60
216525	96	219961	89	221643	90		
217439	64	219962	14	222007	43	228117	8
217641	62	219963	49	222822	11	228254	20
217649	63	219965	46	223707	2	228255	85
217656	79	220018	56	225956	33	228258	103
217783	87	220300	55	225957	34		
217809	76, 83	220812	1, 16	225958	35		

ORDER BY PART NUMBER, NOT BY CODE NUMBER

PANZITTA SALES & SERVICE
 72 George Avenue
 Wilkes-Barre, PA 18705
 570-822-6720 800-822-6720
 www.panzittasales.com