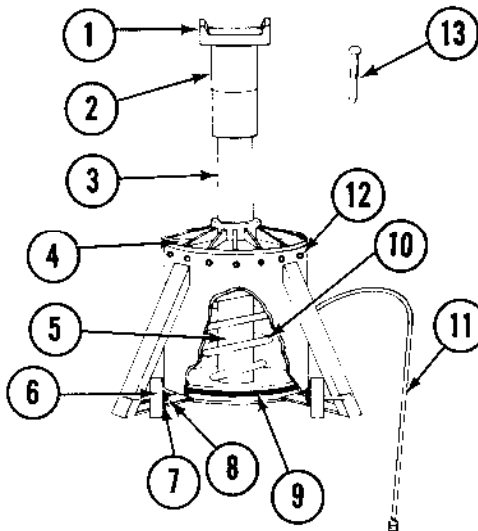




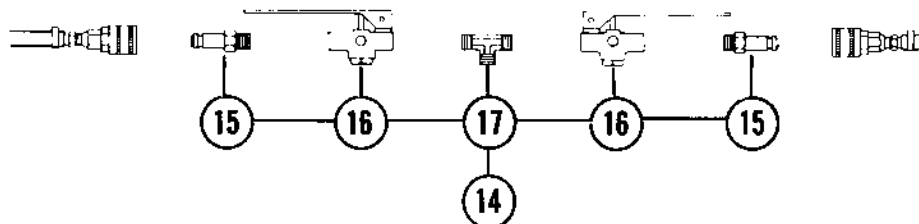
SERVICE DIVISION

Jack Parts Sheet

MODEL 93736
SERIES "A"



PANZITTA SALES & SERVICE
72 George Avenue
Wilkes-Barre, PA 18705
570-822-6720 800-822-6720
www.panzittasales.com



Note 1

Note 1

Code No.	Part No.	Description	No. Req'd.	Code No.	Part No.	Description	No. Req'd.
1	230612	Lifting Pad	1	11	230625	Hose Assy.	1
2	230613	Short Extension	1	12	230620	Bolt	12
3	230614	Long Extension	1	13	230621	Safety Pin	2
4	230615	Cylinder Cap	1	14	231576	Complete Air Valve Assy.	1
5	230616	Ram	1	15	230630	Hose To Valve Adapter	2
6	230624	Wheel	2	16	231579	Valve	2
7	230623	Washer	2	17	231577	Valve Connecting Tee	1
8	230622	Snap Ring	2				
9	230618	Cup Note 2	1				
10	230639	Spring	1				

1) NOTE — Parts Quantities are listed per stand.
These stands are normally sold in pairs.

2) NOTE — A special adhesive and activator is required when replacing the ram cup. This adhesive and activator is available through our authorized SERVICE DEPOTS.

ORDER BY PART NUMBER, **NOT** BY CODE NUMBER