

PANZITTA SALES & SERVICE  
72 George Avenue  
Wilkes-Barre, PA 18705  
570-822-6720 800-822-6720  
www.panzittasales.com

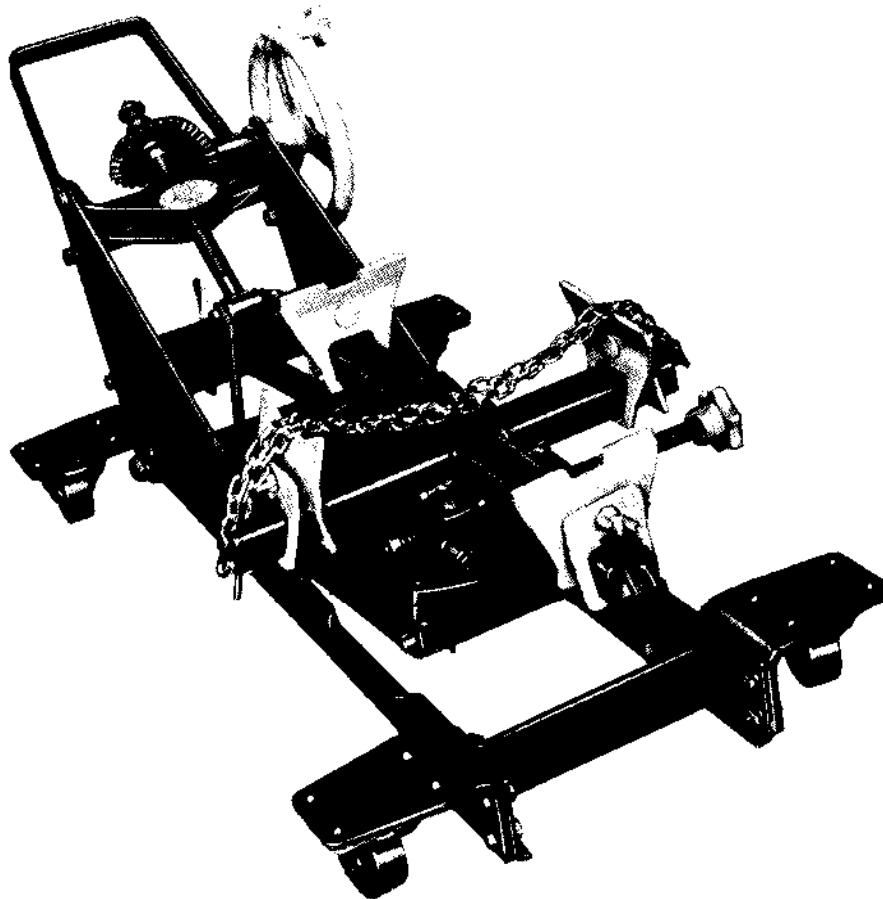
**WALKER**

**SERVICE  
DIVISION**

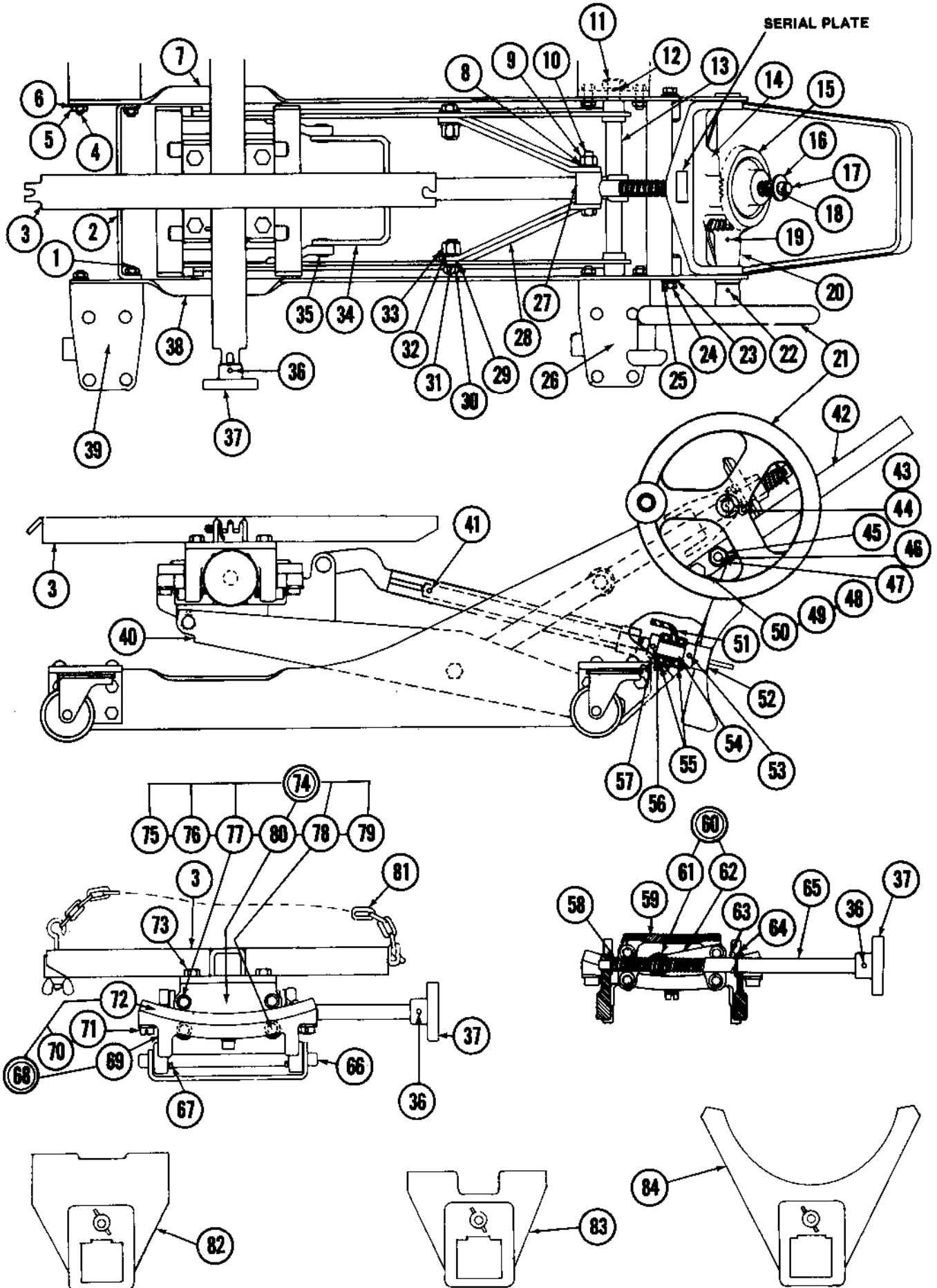
## Jack Parts Sheet

**MODEL 93711 (was J-44)  
SERIES "E"**

**1/4 TON CAPACITY  
TRANSMISSION JACK**



**MODEL 93711 SERIES "E"**



ORDER BY PART NUMBER, NOT CODE NUMBER  
SEE BACK PAGE FOR COMPLETE NUMERICAL LISTING

**PANZITTA SALES & SERVICE**  
**72 George Avenue**  
**Wilkes-Barre, PA 18705**  
**570-822-6720 800-822-6720**  
**www.panzittasales.com**

**MODEL 93711 SERIES "E"**

Code No.	Part Number	Description	No. Req'd.	Code No.	Part Number	Description	No. Req'd.
1	212640	Cap Screw - Caster Bracket	4	46	203346	Nut	2
2	214015	Side & Front Spacer	1	47	214096	Spacer Pin	1
3	214094	Lifting Head Assembly	1	48	203346	Nut	2
4	212638	Cap Screw - Caster	8	49	209967	Lockwasher	2
5	203275	Nut - Casters	12	50	212651	Cap Screw	2
6	201090	Lockwasher	12	51	217524	Rear Cross Frame Assy.	2
7	214143	R.H. Sideplate Assembly	1	52	226223	Pedal-Pitching Screw	1
8	209967	Lockwasher - Links	1	53	214538	Groove Pin	1
9	203346	Nut - Links	1	54	217525	Pitching Screw	1
10	214465	Cap Screw	1	55	217527	Thrust Bearing	2
11	203299	Nut - Fulcrum Pin	2	56	214447	Groove Pin	1
12	201110	Lockwasher - Fulcrum Pin	2	57	214089	Collar - Pitching Screw	1
13	214083	Fulcrum Pin - Lifting Arm	1	58	204272	Washer	1
14	226572	Gear Support	1	59	226571	Cradle	1
15	226592	Elevating Gear	1	60	221002	Nut & Link Assy.	1
16	204222	Washer - Gear	2	61	214075	Nut	1
17	221231	Elevating Screw	1	62	214119	Link	2
18	204446	Cotter Pin	1	63	204446	Cotter Pin	1
19	214447	Groove Pin	1	64	204303	Washer	1
20	226609	Pinion	1	65	214074	Heeling Screw	1
21	221567	Hand Wheel Assembly	1	66	214076	Cross Pin - Frame	1
22	214447	Groove Pin	1	67	204446	Cotter Pin	2
23	201090	Lockwasher	2	68	218841	Lifting Frame Assy.	1
24	212622	Cap Screw - Cross Frame	2	69	226581	Lifting Frame	1
25	204272	Washer	2	70	201090	Lockwasher	2
26	214605	Rear Bracket & Caster Assy.	2	71	220858	Screw - Rails	6
27	214086	Anchor Block	1	72	218839	Rail	2
28	214085	Elevating Link	2	73	212650	Cap Screw	4
29	214120	Lifting Arm Spacer	2	74	220677	Cradle & Roller Assy.	1
30	212652	Cap Screw	2	75	220754	"E" Ring - Roller Pins	8
31	204220	Washer	2	76	214071	Top Roller	4
32	209967	Lockwasher	2	77	220753	Fulcrum Pin - Top Roller	4
33	203346	Nut	2	78	220752	Fulcrum Pin - Bottom Roller	4
34	220751	Link Assy.	1	79	214072	Bottom Roller	4
35	214446	Stud	2	80	214010	Cradle	1
36	214447	Groove Pin	1	81	220860	Chain Assembly	
37	221565	Hand Knob - Heeling Screw	1	82	220194	Pick - Up Blade Assembly	2
38	214142	L.H. Sideplate Assy.	1	83	223405	Pick - Up Blade Assembly	4
39	214604	Front Bracket & Caster Assy.	2	84	214443	Pick - Up Blade Assembly	1
40	214141	Lifting Arm Assy.	1				
41	214613	Groove Pin	1				
42	214095	Handle	1				
43	214087	Pinion Shaft	1				
44	217460	Thrust Bearing	1				
45	209967	Lockwasher	2				

**ORDER BY PART NUMBER, NOT CODE NUMBER**  
**SEE BACK PAGE FOR COMPLETE NUMERICAL LISTING**

**MODEL 93711 SERIES "E"**

Part No.	Code No.	Part No.	Code No.	Part No.	Code No.	Part No.	Code No.
201090	6, 23, 70	214072	79	214447	19, 22, 36, 56	221002	60
201110	12	214074	65	214465	10	221231	17
203275	5	214075	61	214538	53	221232	15
203299	11	214076	66	214604	39	221565	37
203346	9, 33, 46, 48	214083	13	214605	26	221567	21
204220	31	214085	28	214613	41	223405	83
204222	16	214086	27	217460	44	226223	52
204272	25, 58	214087	43	217524	51	226571	59
204303	64	214089	57	217525	54	226572	14
204446	18, 63, 67	214093	20	217527	55	226581	69
209967	8, 32, 45, 49	214094	3	218839	72	226592	15
212622	24	214095	42	218841	68	226609	20
212638	4	214096	47	220194	82		
212640	1	214119	62	220667	74		
212650	73	214120	29	220751	34		
212651	50	214141	40	220752	78		
212652	30	214142	38	220753	77		
214010	80	214143	7	220754	75		
214015	2	214443	84	220858	71		
214071	76	214446	35	220860	81		

ORDER BY PART NUMBER, NOT CODE NUMBER

**PANZITTA SALES & SERVICE**  
 72 George Avenue  
 Wilkes-Barre, PA 18705  
 570-822-6720 800-822-6720  
 www.panzittasales.com