

WALKER

**SERVICE
DIVISION**

Jack Parts Sheet

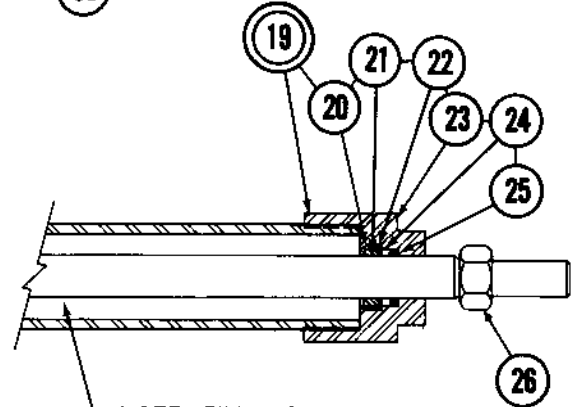
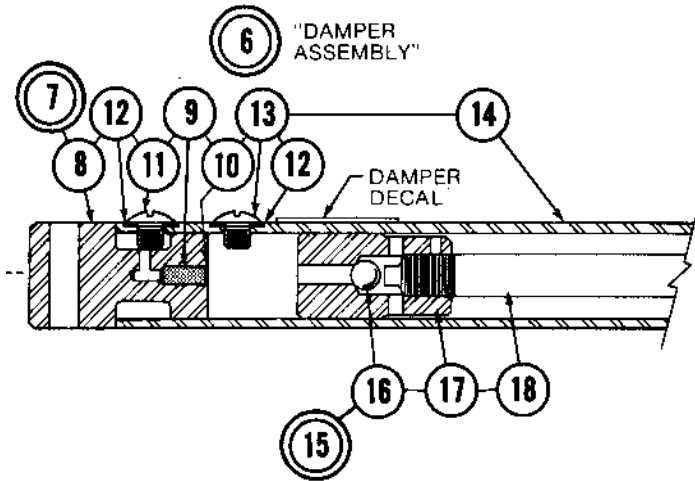
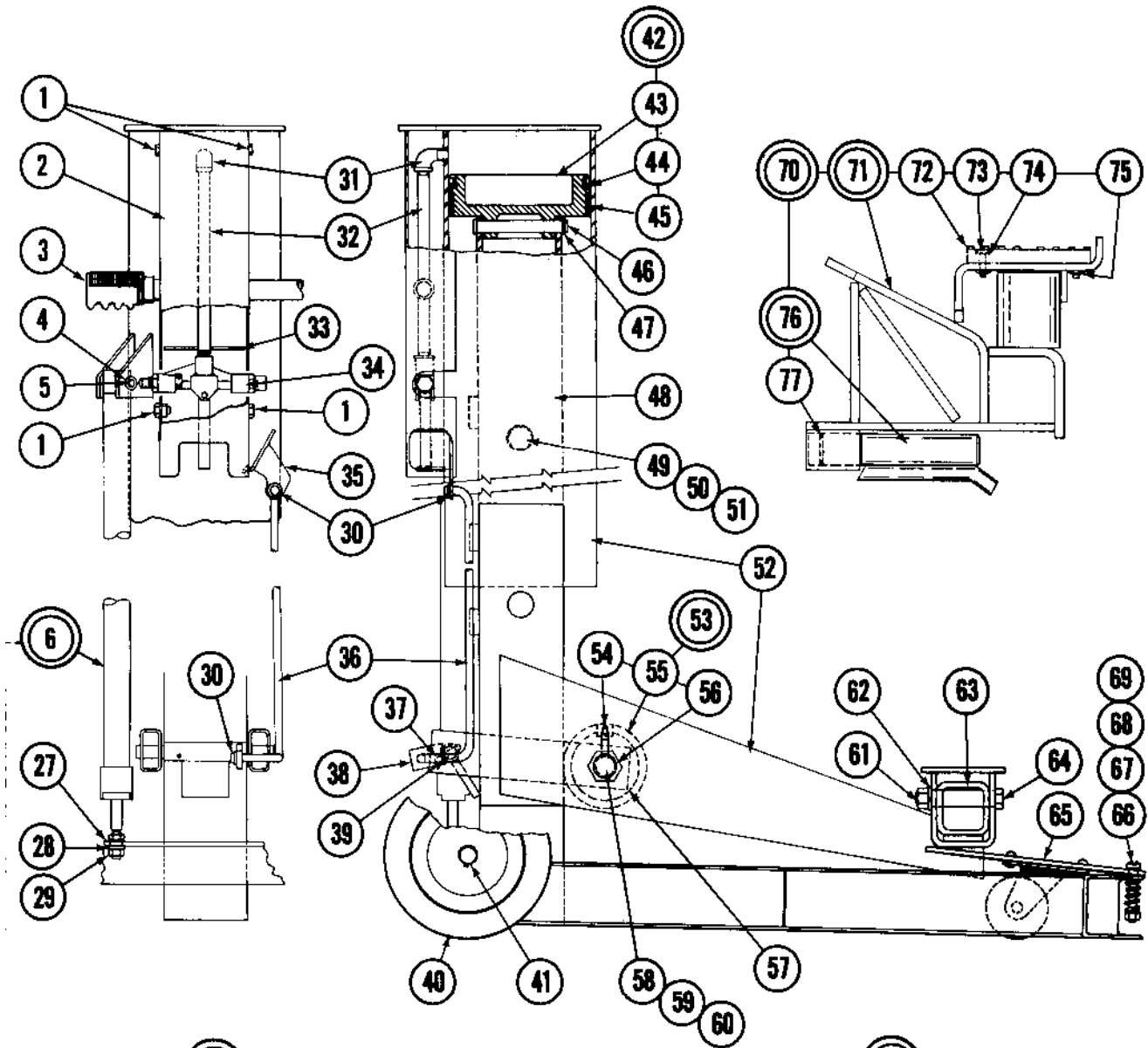
**MODEL 93696
SERIES "C"**

**2½ TON CAPACITY
AIR END-LIFT**



**PANZITTA SALES & SERVICE
72 George Avenue
Wilkes-Barre, PA 18705
570-822-6720 800-822-6720
www.panzittasales.com**

MODEL 93696



NOTE - FILL WITH 10W40 MOTOR OIL (11.75 oz.) SEE DECAL "E" ON BACK PAGE

ORDER BY PART NUMBER, **NOT** BY CODE NUMBER
SEE BACK PAGE FOR COMPLETE NUMERICAL LISTING

PANZITTA SALES & SERVICE
72 George Avenue
Wilkes-Barre, PA 18705
570-822-6720 800-822-6720
www.panzittasales.com

MODEL 93696

Code No.	Part No.	Description	No. Req'd.	Code No.	Part No.	Description	No. Req'd.
1	229511	Hex Screw	4	41	214557	Retaining Ring	2
2	231455	Shroud & Handle Assy.	1	42	231566	Piston Assy.	1
3	221809	Handle Grip	2	43	229504	Piston	1
4	220018	Retaining Ring	1	44	223575	"U" Cup	1
5	230533	Headed Pin	1	45	229506	Wiper Ring	1
6	230433	Damper Assy.	1	46	219962	Pin	1
7	230434	Cylinder Plug Assy.	1	47	211436	Retaining Ring	1
8	230435	Cylinder Plug	1	48	231451	Column & Base Assy.	1
9	226354	Felt - Air Vent	1	49	229509	Bolt	1
10	214993	Washer	1	50	201110	Lockwasher	3
11	212562	Screw - Air Vent	1	51	203353	Nut	1
12	200003	Gasket	2	52	231448	Cyl. & Lifting Frame Assy.	1
13	212540	Screw - Filler	1	53	229479	Roller & Bearing Assy.	1
14	230436	Cylinder	1	54	226318	Grease Fitting	1
15	230439	Piston & Rod Assy.	1	55	229481	Roller	1
16	203202	Ball	1	56	229480	Needle Bearing	2
17	230441	Piston	1	57	229508	Washer	2
18	230440	Piston Rod	1	58	229502	Roller Shaft	1
19	230437	Bottom Cap Assy.	1	59	229507	Jam Nut	2
20	216258	Gland Cover	1	60	229513	Lockwasher	2
21	213149	Packing Ring	1	61	203273	Nut	2
22	204281	Washer	1	62	201099	Lockwasher	2
23	230438	Bottom Cap	1	63	231462	Lifting Beam	2
24	231241	Quad Ring	1	64	223641	Bolt	2
25	212374	Back-Up Washer	1	65	230179	Caster & Bracket Assy.	1
26	203273	Nut	1	66	200472	Screw	2
27	214120	Spacer	1	67	204271	Washer	2
28	209967	Lockwasher	1	68	223707	Spring	2
29	203273	Nut	3	69	207169	Nut	2
30	229491	Push Nut	2	70	231245	Complete Saddle Assy.	2
31	229497	Elbow	1	71	226123	Lifting Saddle	2
32	231457	Air Tube	1	72	225956	Lifting Pad	2
33	229500	Spacer	1	73	225957	Screw	8
34	229499	Air Valve	1	74	204236	Washer	8
35	229487	Safety Dog Lever	1	75	225958	Nut	8
36	231458	Safety Dog Handle Note 1	1	76	228117	Finger & Ring Assy.	2
37	224304	Rollpin	1	77	227015	Retaining Ring	2
38	229483	Safety Dog Assy.	1				
39	229503	Safety Dog Pin	1				
40	221623	Wheel	2				

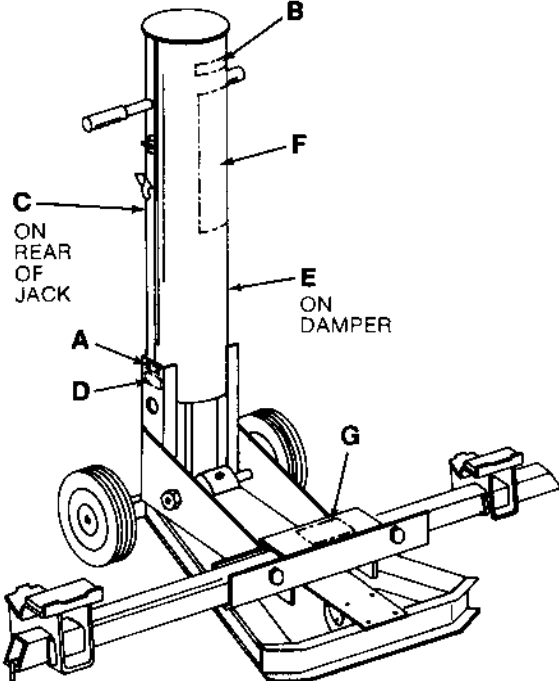
Note 1 - Series "A" & "B" Jacks used A 229488 Safety Dog Handle.

MODEL 93696

NUMERICAL LISTING OF PARTS

Part No.	Code No.	Part No.	Code No.	Part No.	Code No.	Part No.	Code No.
200003	12	216258	20	229483	38	230437	19
200472	66	219962	46	229487	35	230438	23
201099	62	220018	4	229491	30	230439	15
201110	50	221623	40	229497	31	230440	18
203202	16	221809	3	229499	34	230441	17
203273	26, 29, 61	223575	44	229500	33	230533	5
203353	51	223641	64	229502	58	231241	24
204236	74	223707	68	229503	39	231245	70
204271	67	224304	37	229504	43	231448	52
204281	22	225956	72	229506	45	231451	48
207169	69	225957	73	229507	59	231455	2
209967	28	225958	75	229508	57	231457	32
211436	47	226123	71	229509	49	231458	36
212374	25	226318	54	229511	1	231462	63
212540	13	226354	9	229513	60	231566	42
212562	11	227015	77	230179	65		
213149	21	228117	76	230433	6		
214120	27	229479	53	230434	7		
214557	41	229480	56	230435	8		
214993	10	229481	55	230436	14		

Label Locations



A SERIAL NUMBER
B 696 J11005
2 1/2 TONS CAP.

B 93696

C **CAUTION**
1. This jack is designed for lifting purposes only - not for supporting loads. Use jack stands to support vehicle before getting under it.
2. To prevent jack from toppling lowered car, be sure that:
A. Jack and car are on level surface and car can roll freely.
B. Brakes are released.
C. Transmission is in neutral.
D. Wheels are not obstructed.
3. Do not use this jack to raise and/or car when either end is on jack stands since the car cannot roll the jack or the stands might topple.
4. Do not use top of cylinder for lifting loads.

OPERATING INSTRUCTIONS
1. Place lift at center of bumper and position the lifting saddles as required for correct bumper support brackets or other suitable lifting points. Do not lift with one saddle only.
2. To raise: Connect air hose to the air valve and operate the valve as required. The speed of rise is controlled by varying the position of the valve handle.
3. To lower: Holding dog must be in the disengaged position. Operate the air valve to release air at the desired speed.
Maintenance: Lubricate moving joints once each month. If cylinder should need lubrication, use 90 gear lube or STP oil treatment.

AIR PRESSURE AT JACK (PSI)	JACK CAPACITY (LBS.)
150	5000
100	4000
50	3000

D **WALKER**
MODEL RANGE
SERIES TONS CAP.
WALKER MANUFACTURING MADISON WISCONSIN

E **HYDRAULIC DAMPER**
1. Before operating, loosen upper "air vent" screw.
2. Keep filled to the lower hole with 10W40 motor oil.
(Fill when jack is fully lowered.)
230443

F **WALKER**

G **CAUTION CENTER LOAD**
DO NOT EXCEED CENTER LOAD
NOTE: SET 4 WHEEL BLOCKS UP AND DOWN ALSO BY THE SETTING SADDLES FOR THE JACK