

WALKER

**SERVICE
DIVISION**

Jack Parts Sheet
MODEL 93667
SERIES "A"

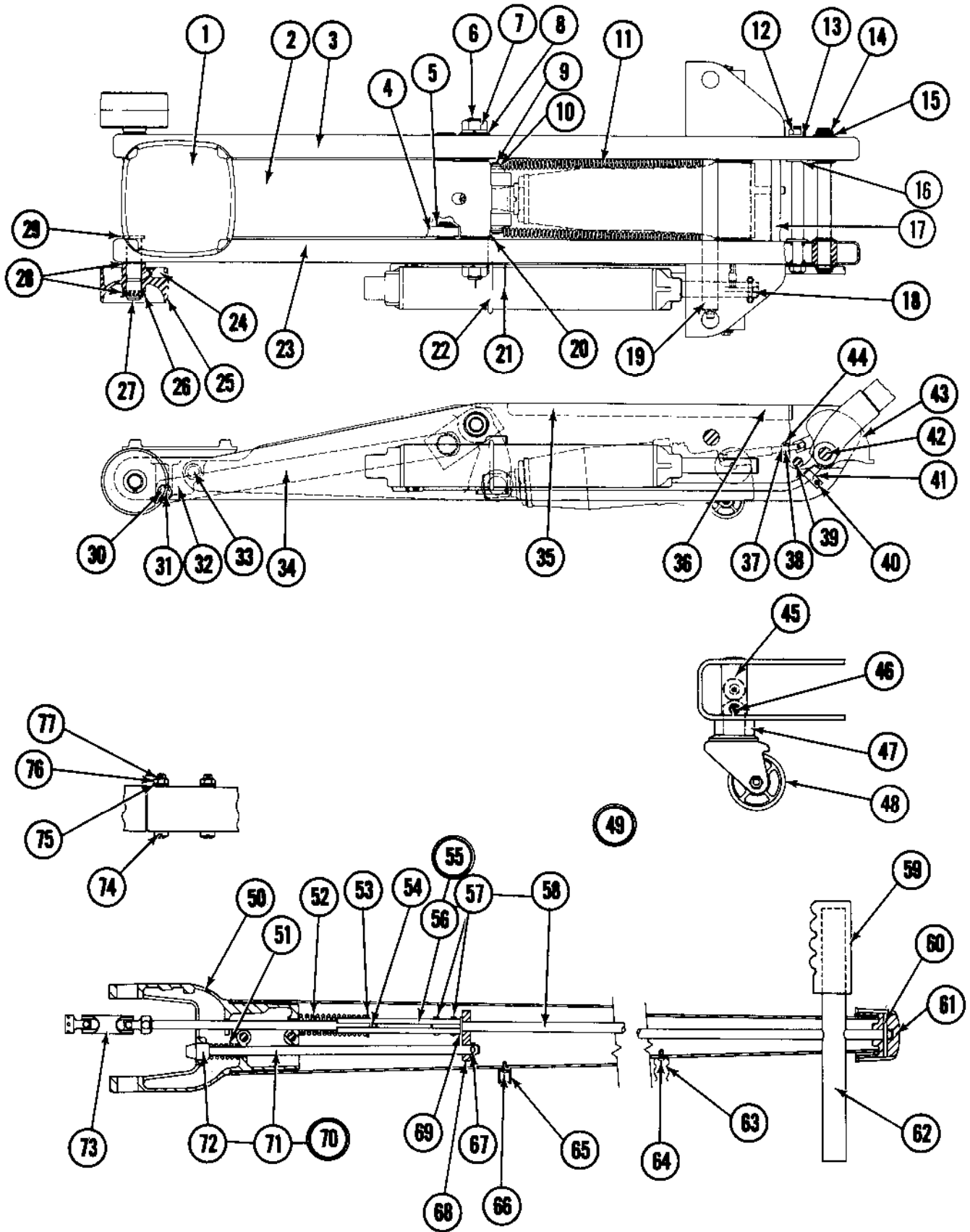
4 TON CAPACITY

AIR-HYDRAULIC SERVICE JACK

PANZITTA SALES & SERVICE
72 George Avenue
Wilkes-Barre, PA 18705
570-822-6720 800-822-6720
www.panzittasales.com



**MODEL 93667
SERIES "A"**



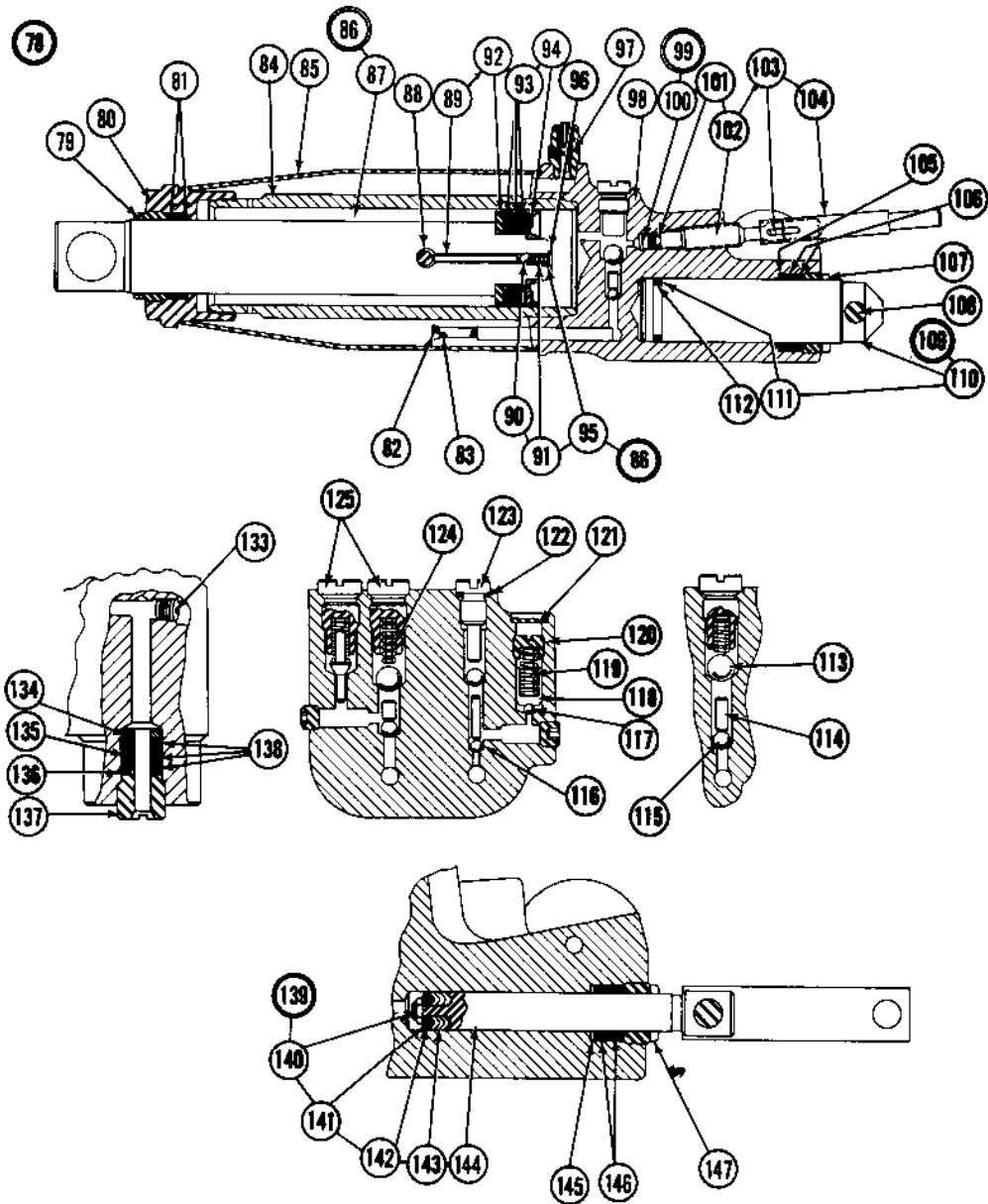
**MODEL 93667
SERIES "A"**

PANZITTA SALES & SERVICE
72 George Avenue
Wilkes-Barre, PA 18705
570-822-6720 800-822-6720
www.panzittasales.com

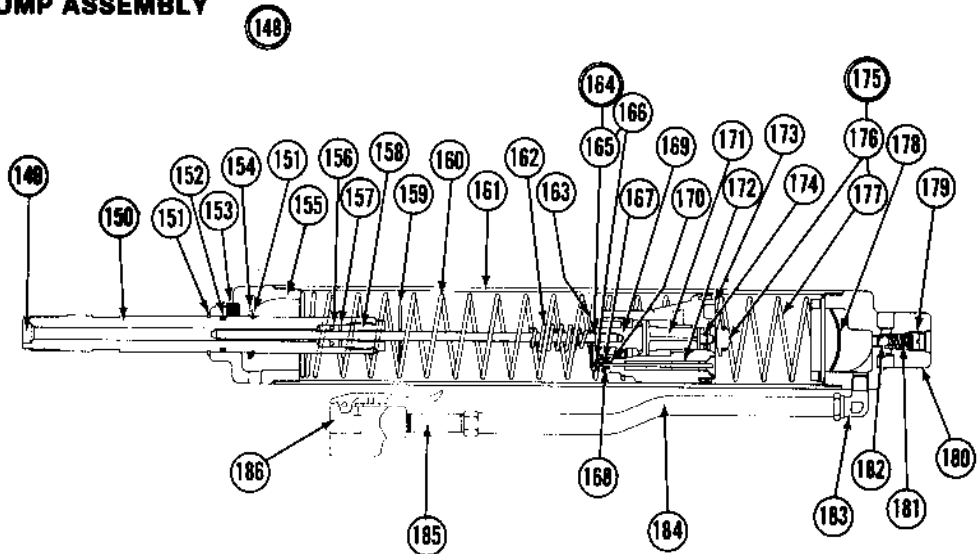
CODE NO.	PART NO.	DESCRIPTION	NO. REQ.	CODE NO.	PART NO.	DESCRIPTION	NO. REQ.
1	226755	Lifting Cap	1	41	223179	Hose Clip	1
2	222091	Bell Crank Assy.	1	42	221795	Fulcrum Pin	1
3	229762	R.H. Side Plate Assy.	1	43	214700	Handle Segment & Bushing Assy.	1
4	204343	Washer	2	44	226366	Bolt	1
5	221798	Retaining Ring	2	45	229760	Sleeve	2
6	221822	Fulcrum Pin	1	46	226120	Set Screw	2
7	203313	Nut	2	47	229759	Spacer	2
8	201479	Lock Washer	2	48	229761	Caster	2
9	221829	Pin	1	49	227441	Complete Handle Assy.	1
10	224414	Retaining Ring	1	50	227394	Handle Socket	1
11	221800	Pull Back Spring	2	51	226372	Plunger Spring	1
12	203299	Nut	2	52	228875	Spring	1
13	201110	Lock Washer	2	53	204303	Washer	1
14	221798	Retaining Ring	2	54	218988	Roll Pin	2
15	204343	Washer	2	55	227436	Turning Rod Assy.	1
16	221828	Washer	2	56	227398	Slide Rod	2
17	221799	Universal Support	1	57	202294	Rivet	2
18	229767	Hanger	1	58	227400	Rod	1
19	229766	Compression Bar	1	59	228881	Handle Grip	2
20	226019	Lock Nut	4	60	221938	Roll Pin	1
21	225906	Bracket	1	61	221937	Release Knob	1
22	223222	Hanger	1	62	223220	Handle & Crossbar Assy.	1
23	229763	L.H. Side Plate Assy.	1	63	223172	Hose Clip	1
24	226318	Grease Fitting	3	64	224081	Screw	1
25	226615	Wheel	2	65	223179	Hose Clip	1
26	204465	Cotter Pin	2	66	224081	Screw	1
27	221819	Front Axle	1	67	204461	Cotter Pin	1
28	221778	Washer	4	68	227397	Link	1
29	219509	Roll Pin	2	69	204277	Washer	1
30	221817	Retaining Ring	2	70	227442	Plunger Rod & Head Assy.	1
31	221825	Pin	1	71	227396	Plunger Rod	1
32	226295	Cap Housing	1	72	226303	Plunger Head	1
33	226319	Pin	1	73	228358	Universal Assy.	1
34	221823	Parallel Link	2	74	200472	Bolt	2
35	230395	Unit Cover	1	75	204270	Washer	2
36	223706	Screw	2	76	209964	Lock Washer	2
37	203332	Nut	1	77	203344	Nut	2
38	201784	Lock Washer	1				
39	221796	Bumper Pin	1				
40	224081	Screw	1				

**MODEL 93667
SERIES "A"**

HYDRAULIC UNIT



AIR-HYDRAULIC PUMP ASSEMBLY



ORDER BY PART NUMBER, NOT BY CODE NUMBER

**MODEL 93667
SERIES "A"**

HYDRAULIC UNIT

CODE NO.	PART NO.	DESCRIPTION	NO. REQ.	CODE NO.	PART NO.	DESCRIPTION	NO. REQ.
78	Note 1	Complete Hydraulic Unit	1	113	203205	Valve	1
79	222066	Gland Nut	1	114	224344	Spacer	1
80	222067	Tank Nut	1	115	203200	Valve	1
81	226002	Packing Ring	2	116	203198	Valve	1
82	222533	Screen	2	117	203196	Valve	1
83	222088	Screen	1	118	226376	Adapter	1
84	221766	Cylinder	1	119	226379	Spring	1
85	221765	Oil Tank	1	120	226373	Adjusting Nut	1
86	230583	Ram Assy.	1	121	201733	Expansion Plug	1
87	229750	Ram	1	122	204842	Gasket	1
88	226329	Cross Pin	1	123	226324	Plug	1
89	229751	Pin	1	124	222201	Spring	2
90	203199	Ball	1	125	222257	Plug	3
91	226331	Spring	1	126	226353	Spring	1
92	229749	Back-Up Washer	1	127	221739	Poppet	1
93	229748	Heel Plate	3	128	203205	Valve	1
94	228257	Ram Cup	1	129	221740	Spacer	1
95	210411	Washer	1	130	203200	Valve	1
96	223166	Screen	1	131	203201	Valve	1
97	227095	Filler Plug	1	132	221742	Spacer	1
98	230493	Base	1	133	210311	Pipe Plug	4
99	222095	Release Stem Assy.	1	134	223211	Adapter	1
100	212227	Release Valve	1	135	223218	"V" Packing	1
101	214555	"O" Ring	1	136	223210	Adapter	1
102	212875	Release Stem	1	137	223213	Gland Nut	1
103	220769	Cross Pin	1	138	223214	"V" Packing	3
104	226327	Scotted Tube	1	139	222089	Pressure Pump Assy.	1
105	204372	Washer	1	140	224725	Nut	1
106	213171	Packing Ring	2	141	218544	Washer	1
107	226326	Gland Nut	1	142	218542	Adapter	1
108	216646	Pump Pin	1	143	201827	"V" Packing	3
109	222098	Speed Pump Assy.	1	144	221744	Pressure Pump	1
110	221770	Speed Pump	1	145	204301	Washer	1
111	221771	Washer	1	146	213152	Packing Ring	2
112	221772	Quad Ring	1	147	226314	Gland Nut	1

AIR-HYDRAULIC PUMP ASSEMBLY

CODE NO.	PART NO.	DESCRIPTION	NO. REQ.	CODE NO.	PART NO.	DESCRIPTION	NO. REQ.
148	Note 1	Air Hydraulic Pump Assy.	1	168	228813	Washer	1
149	210311	Pipe Plug	1	169	223183	Plug	1
150	229753	Pump Cylinder Assy.	1	170	222288	"O" Ring	1
151	221820	Retaining Ring	2	171	223678	Pump Packing & Piston Assy.	1
152	219861	"O" Ring	1	172	223187	Valve Plunger	1
153	226451	Set Screw	1	173	231347	Piston	1
154	224489	Washer	1	174	221013	"U" Cup	1
155	226450	End Block	1	175	223194	Spring & Rubber Cushion Assy.	1
156	228815	"U" Cup	1	176	22537	Rubber Cushion	1
157	228816	Back-Up Washer	1	177	226153	Spring	1
158	228814	Gland Nut	1	178	223680	Screen	1
159	223203	Trip Washer	1	179	226373	Adjusting Nut	1
160	223173	Return Spring	1	180	224155	Air Cylinder Cap	1
161	224034	Air Cylinder	1	181	224156	Spring	1
162	225384	Spring	1	182	203202	Valve	1
163	223203	Trip Washer	1	183	222202	Elbow	1
164	228930	Piston Assy.	1	184	230430	Hose	1
165	224038	Pump Rod	1	185	226483	Pipe Nipple	1
166	228235	Hair Pin Cotter	1	186	223180	Air Valve	1
167	223184	Spring	1				

MODEL 93667
SERIES "A"

A
**4
TON**

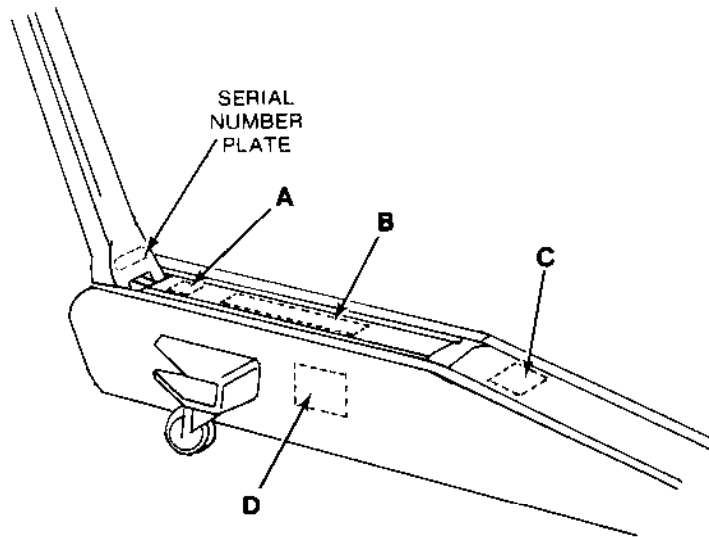
C
CAUTION
THIS JACK IS DESIGNED FOR RAISING & LOWERING LOADS ONLY. AFTER RAISING A LOAD, ALWAYS USE JACK STANDS TO SUPPORT IT BEFORE GETTING UNDERNEATH IT OR MAKING REPAIRS. DO NOT OVERLOAD THE JACK OR JACK STANDS BEYOND THEIR RATED CAPACITIES.
FOR YOUR SAFETY

B
WALKER®

D

WALKER	
MODEL	RANGE
<input type="text"/>	<input type="text"/>
SERIES	TONS CAP.
<input type="text"/>	<input type="text"/>
WALKER MANUFACTURING, RACINE, WISCONSIN	

Label Locations



**MODEL 93667
SERIES "A"**

NUMERICAL LISTING OF PARTS

Part No.	Code No.	Part No.	Code No.	Part No.	Code No.	Part No.	Code No.
200472	74	221740	129	223203	159, 163	226483	185
201110	13	221742	132	223210	136	226615	25
201479	8	221744	144	223211	134	226755	1
201733	121	221765	85	223213	137	227095	97
201784	38	221766	84	223214	138	227394	50
201827	143	221770	110	223218	135	227396	71
202294	57	221771	111	223220	62	227397	68
203196	117	221772	112	223222	22	227398	56
203198	116	221778	28	223678	171	227400	58
203199	90	221795	42	223680	178	227436	55
203200	115, 130	221796	39	223706	36	227441	49
203201	131	221798	5, 14	224034	161	227442	70
203202	182	221799	17	224038	165	228235	166
203205	113, 128	221800	11	224081	40, 64, 66	228257	94
203299	12	221817	30	224155	180	228358	73
203313	7	221819	27	224156	181	228813	168
203332	37	221820	151	224344	114	228814	158
203344	77	221822	6	224414	10	228816	157
204270	75	221823	34	224469	154	228815	156
204277	69	221825	31	224725	140	228875	52
204301	145	221828	16	225371	176	228881	59
204303	53	221829	9	225384	162	228930	164
204343	4, 15	221937	61	225906	21	229748	93
204372	105	221938	60	226002	81	229749	92
204461	67	222066	79	226019	20	229750	87
204465	26	222067	80	226120	46	229751	89
204482	122	222088	83	226153	177	229753	150
209964	76	222089	139	226295	32	229759	47
210311	133, 149	222091	2	226303	72	229760	45
210411	95	222095	99	226314	147	229761	48
212227	100	222098	109	226318	24	229762	3
212875	102	222201	124	226319	33	229763	23
213152	146	222202	183	226324	123	229766	19
213171	106	222257	125	226326	107	229767	18
214555	101	222288	170	226327	104	230395	35
214700	43	222533	82	226329	88	230430	184
216646	108	223166	96	226331	91	230493	98
218542	142	223172	63	226353	126	230583	86
218544	141	223173	160	226366	44	231347	173
218988	54	223179	41, 65	226372	51		
219509	29	223180	186	226373	120, 179		
219861	152	223183	169	226376	118		
220769	103	223184	167	226379	119		
221013	174	223187	172	226450	155		
221739	127	223194	175	226451	153		

PANZITTA SALES & SERVICE
72 George Avenue
Wilkes-Barre, PA 18705
570-822-6720 800-822-6720
www.panzittasales.com