
WALKER®

**SERVICE
DIVISION**

Jack Parts Sheet

MODEL 93660

SERIES A & B

10 TON CAPACITY

HYDRAULIC SERVICE JACK

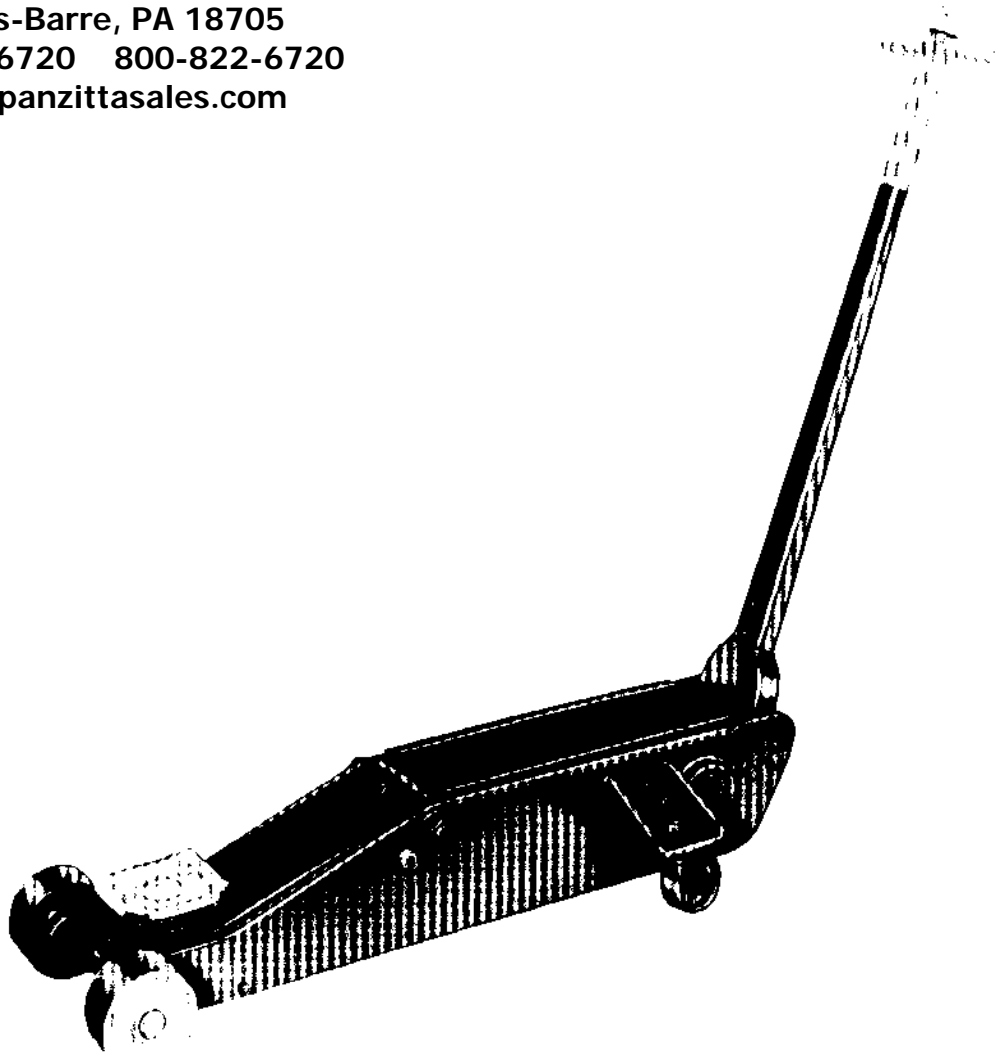
PANZITTA SALES & SERVICE

72 George Avenue

Wilkes-Barre, PA 18705

570-822-6720 800-822-6720

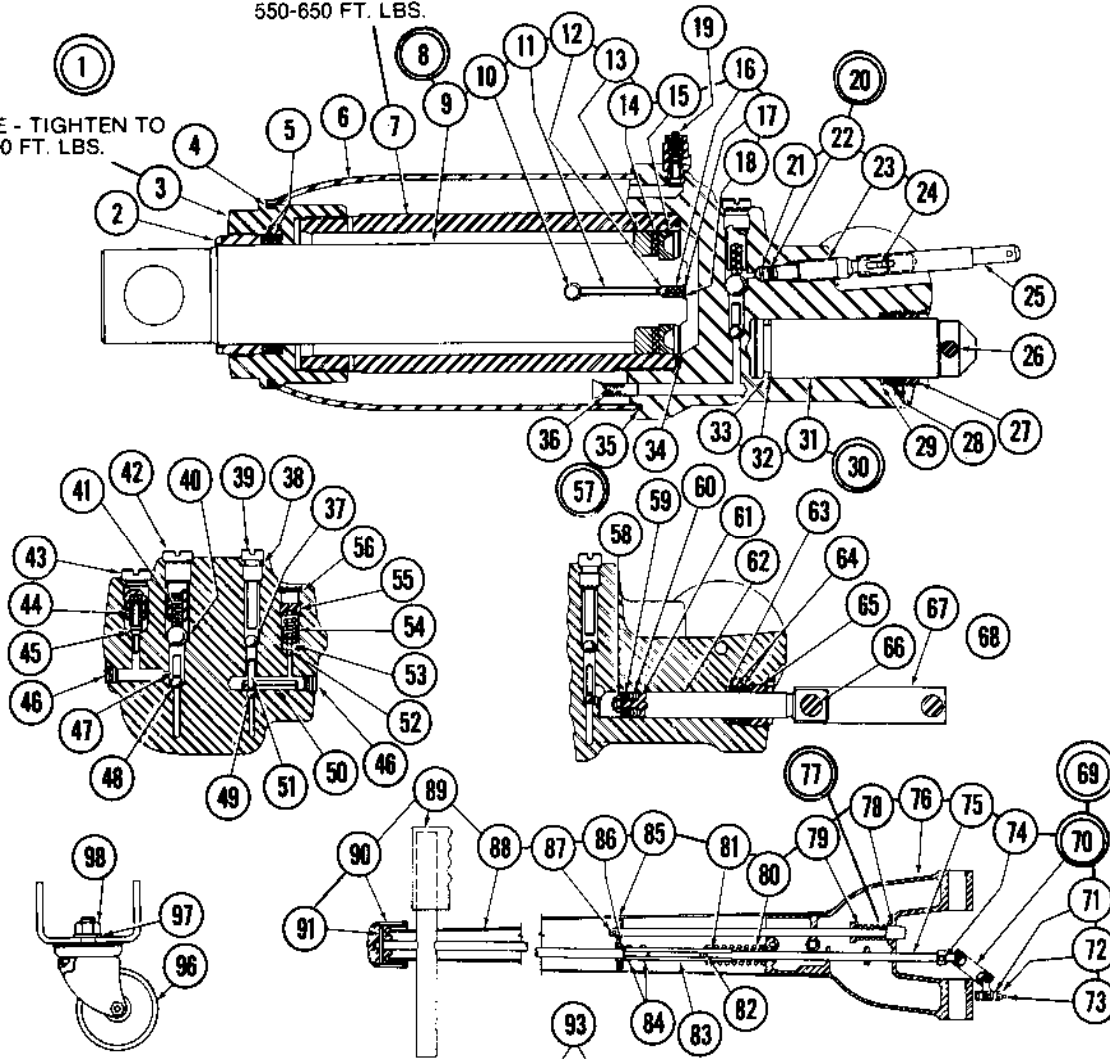
www.panzittasales.com



MODEL 93660

NOTE - TIGHTEN TO
550-650 FT. LBS.

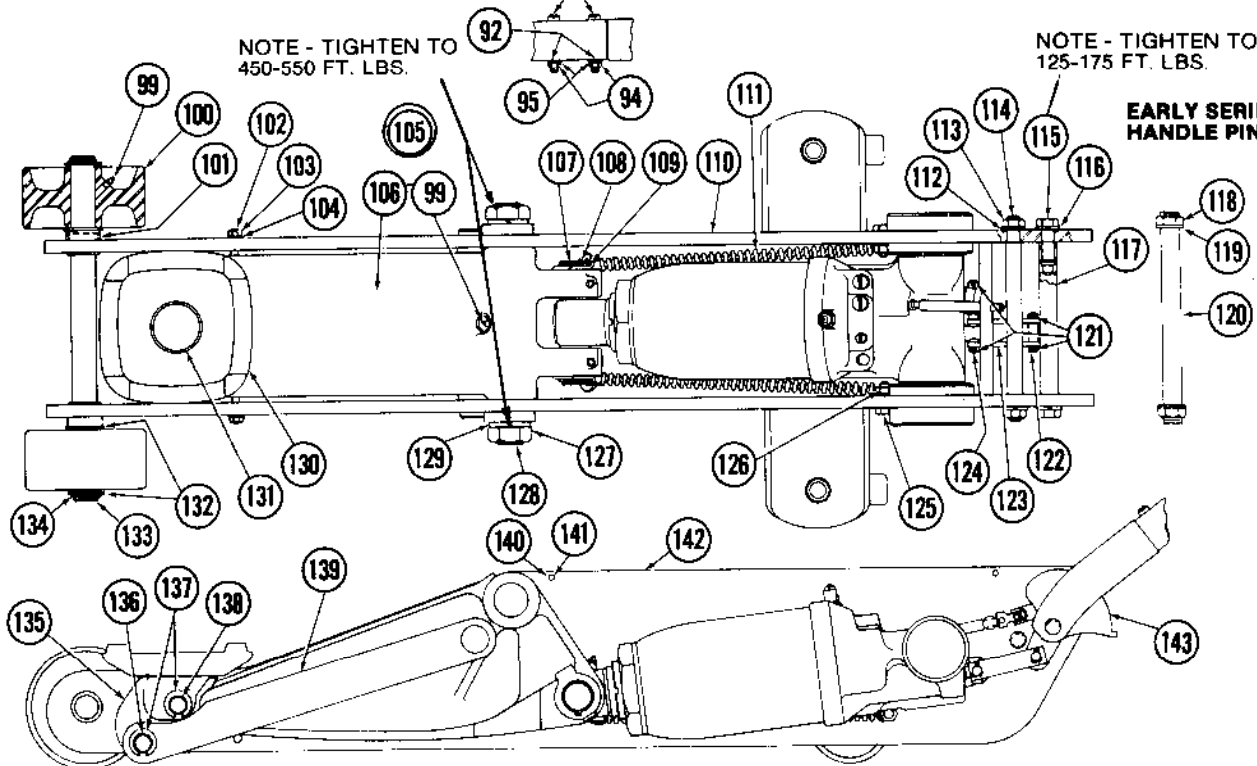
NOTE - TIGHTEN TO
75-100 FT. LBS.



NOTE - TIGHTEN TO
450-550 FT. LBS.

NOTE - TIGHTEN TO
125-175 FT. LBS.

EARLY SERIES
HANDLE PIN



ORDER BY PART NUMBER, NOT BY CODE NUMBER
SEE BACK PAGE FOR COMPLETE NUMERICAL LISTING

MODEL 93660

Code No.	Part No.	Description	No. Req'd.	Code No.	Part No.	Description	No. Req'd.
1	229886	Hydraulic Unit Assembly	1	76	229949	Handle Socket	1
2	229895	Gland Nut	1	77	229952	Plunger Rod & Head Assy.	1
3	229893	Tank Nut	1	78	226303	Plunger Head	1
4	229889	O'Ring	1	79	226372	Spring	1
5	229907	Ram Packing Ring	2	80	228875	Spring	1
6	229892	Oil Tank	1	81	204303	Washer	1
7	229898	Cylinder	1	82	218988	Rollpin	1
8	231945	Ram Assy.	1	83	227398	Slide Rods	2
9	229897	Ram	1	84	202294	Rivets	2
10	229902	Cross Pin	1	85	227397	Link	1
11	229903	Up-Stop Pin	1	86	204277	Washer	1
12	203199	Ball	1	87	204461	Cotter Pin	1
13	229956	Heel Plate	1	88	221781	Handle & Tube Assy.	1
14	229900	Back Up Washer	1	89	221809	Handle Grip	2
15	229899	'U' Cup	1	90	221937	Release Knob	1
16	226331	Spring	1	91	221938	Rollpin	1
17	223166	Screen	1	92	204270	Washer	2
18	210411	Washer	1	93	200472	Bolt	2
19	227095	Filler Plug	1	94	203344	Nut	2
20	222095	Release Stem Assy.	1	95	209964	Lockwasher	2
21	212227	Valve	1	96	229937	Caster	2
22	214555	'O' Ring	1	97	201115	Lock Washer	2
23	212875	Release Stem	1	98	203297	Nut 3/4	2
24	220769	Pin	1	99	226318	Grease Fittings	5
25	229909	Slotted Tube	1	100	231963	Wheel	2
26	216646	Pump Pin	1	101	217653	Roll Pin	2
27	226326	Packing Nut	1	102	229938	Pin	1
28	213171	Packing	2	103	207169	Nut	2
29	204372	Washer	1	104	201789	Lock Washer	2
30	222098	Speed Pump Assy.	1	105	231474	Lifting Arm Assy.	1
31	221770	Speed Pump	1	106	229913	Lifting Arm (Less Grease Fittings)	1
32	221771	Washer	1	107	229934	Ram Pin	1
33	221772	Quad Ring	1	108	229933	Pull Back Plate	2
34	229887	'O' Ring	1	109	229910	Retaining Ring	2
35	229888	'O' Ring	1	110	231416	R.H. Side Plate Assy.	1
36	222533	Screen	2	111	229932	Pull Back Spring	2
37	203201	Ball 5/16	1	112	201110	Lock Washer	2
38	204842	Gasket	1	113	203299	Nut	2
39	229905	Pressure Plug	1	114	229931	Bumper Pin	1
40	203207	Ball 1/2	1	115	231420	Bolt	2
41	222201	Spring	1	116	201110	Lock Washer	2
42	229904	Plug	1	117	231419	Handle Fulcrum Pin	1
43	222257	Plug	1	118	219451	Nut	2
44	226353	Spring	1	119	201477	Lock Washer	2
45	221739	Poppet	1	120	NOTE	Handle Pin	1
46	210311	Pipe Plug	2	121	204444	Cotter Pin	4
47	229908	Spacer	1	122	216645	Pin	1
48	203200	Ball 9/32	1	123	226325	Link	2
49	203198	Ball 7/32	1	124	216646	Pin	1
50	218991	Roll Pin	1	125	212689	Bolt	2
51	221742	Spacer	1	126	203272	Nut	2
52	203196	Ball 5/32	1	127	203323	Nut	2
53	226376	Adapter	1	128	226271	Fulcrum Pin	1
54	226375	Spring	1	129	201481	Lock Washer	2
55	226373	Adjusting Screw	1	130	229942	Lifting Cap	1
56	201733	Plug	1	131	229944	Swivel Pin	1
57	222089	Pressure Pump Assy.	1	132	229912	Washer	4
58	224725	Nut	1	133	229939	Axle	1
59	218544	Washer	1	134	229911	Retaining Ring	2
60	218542	Adapter	1	135	229927	Cap Housing	1
61	201827	'V' Packing	3	136	231431	Pin	1
62	221744	Pressure Pump	1	137	229947	Retaining Ring	4
63	204301	Washer	1	138	229946	Pin	1
64	213152	Packings	2	139	231430	Parallel Link	2
65	226314	Gland Nut	1	140	211567	Screw	4
66	216646	Pump Pin	1	141	201785	Lock Washer	4
67	226325	Pump Link	2	142	229954	Unit Cover	1
68	216645	Pump Pin	1	143	214700	Handle Segment	1
69	231962	Complete Handle Assy.	1				
70	213704	Universal Assy.	1				
71	201784	Lock Washer	1				
72	203332	Nut	1				
73	226366	Bolt	1				
74	211341	Rivet	1				
75	229951	Rod	1				

NOTE — When Early Series Handle Pin is needed, order 1 of part number 231419 and 2 each of part numbers 231420 and 201110.

PANZITTA SALES & SERVICE

72 George Avenue

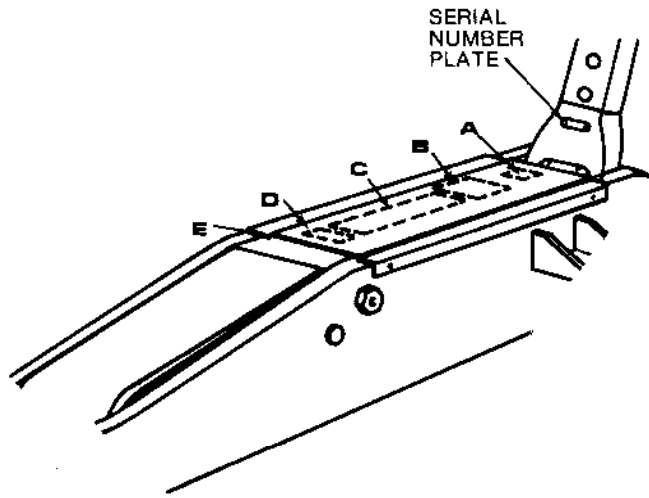
Wilkes-Barre, PA 18705

570-822-6720 800-822-6720

www.panzittasales.com

MODEL 93660

Label Locations



CAUTION
THIS JACK IS DESIGNED FOR RAISING & LOWERING LOADS ONLY. AFTER RAISING A LOAD, ALWAYS USE JACK STANDS TO SUPPORT IT BEFORE GETTING UNDERNEATH IT OR MAKING REPAIRS. DO NOT OVERLOAD THE JACK OR JACK STANDS BEYOND THEIR RATED CAPACITIES.
FOR YOUR SAFETY

**10
TON**

**W
A
L
K
E
R**

WALKER

MODEL RANGE

SERIES TONS CAP.

WALKER MANUFACTURING RACIN, WISCONSIN

93660

NUMERICAL LISTING OF PARTS

Part No.	Code No.	Part No.	Code No.	Part No.	Code No.	Part No.	Code No.
200472	93	211341	74	223166	17	229908	47
201110	112, 116	211567	140	224725	58	229909	25
201115	97	212227	21	226271	128	229910	109
201477	119	212689	125	226303	78	229911	134
201481	129	212875	23	226314	65	229912	132
201733	56	213152	64	226318	99	229913	106
201784	71	213171	28	226325	67, 123	229927	135
201785	141	213704	70	226326	27	229931	114
201789	104	214555	22	226331	16	229932	111
201827	61	214700	143	226353	44	229933	108
202294	84	216645	68, 122	226366	73	229934	107
203196	52	216646	26, 66, 124	226372	79	229937	96
203198	49	217653	101	226373	55	229938	102
203199	12	218542	60	226375	54	229939	133
203200	48	218544	59	226376	53	229942	130
203201	37	218988	82	227095	19	229944	131
203207	40	218991	50	227397	85	229946	138
203272	126	219451	118	227398	83	229947	137
203297	98	220769	24	228875	80	229949	76
203299	113	221739	45	229886	1	229951	75
203323	127	221742	51	229887	34	229952	77
203332	72	221744	62	229888	35	229954	142
203344	94	221770	31	229889	4	229956	13
204270	92	221771	32	229892	6	231416	110
204277	86	221772	33	229893	3	231419	117
204301	63	221781	88	229895	2	231420	115
204303	81	221809	89	229897	9	231430	139
204372	29	221937	90	229898	7	231431	136
204444	121	221938	91	229899	15	231474	105
204461	87	222089	57	229900	14	231945	8
204842	38	222095	20	229902	10	231962	69
207169	103	222098	30	229903	11	231963	100
209964	95	222201	41	229904	42		
210311	46	222257	43	229905	39		
210411	18	222533	36	229907	5		