



SERVICE DIVISION

PANZITTA SALES & SERVICE
72 George Avenue
Wilkes-Barre, PA 18705
570-822-6720 800-822-6720
www.panzittasales.com

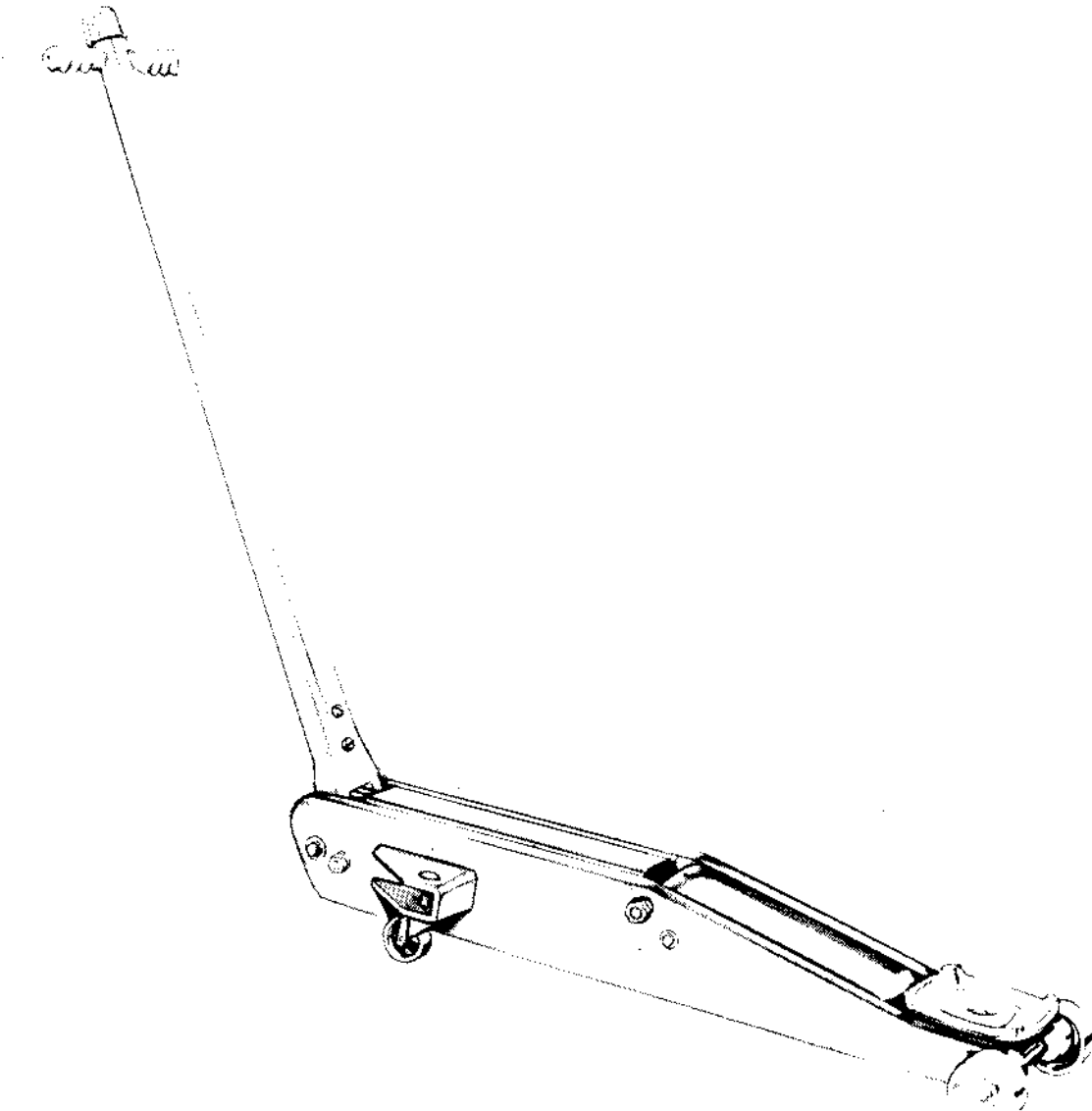
2 TON & 4 TON CAPACITY
SERVICE JACK

Jack Parts Sheet

MODEL 93655 (was J132)
SERIES "K"

MODEL 93656 (was J132R)
SERIES "K"

MODEL 93657 (was J134)
SERIES "J"



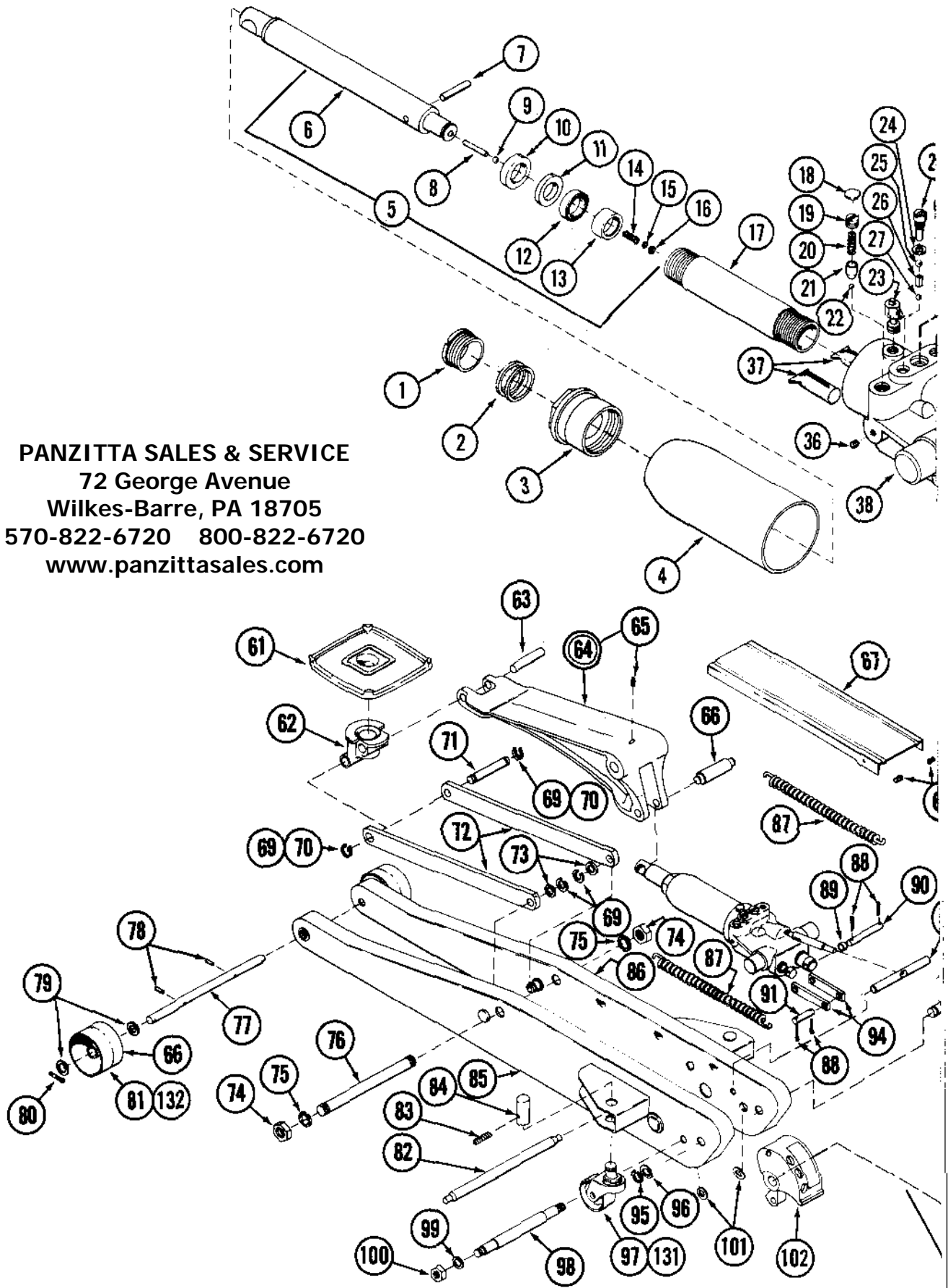
MODEL 93655 SERIES "K"
93656 SERIES "K"
93657 SERIES "J"

Code No.	Part No.		Description
	2 Ton	4 Ton	
1	222062	222066	Gland Nut - Ram
2	226001 (2)	226002 (2)	Packing Ring - Ram
3	222061	222067	Tank Nut
4	221749	221765	Oil Tank
5	224767	224782	Ram Assembly
6	224840	224841	Ram
7	226328	226329	Cross Pin
8	225481	225482	Up-Stop Pin
9	203199	203199	Valve - Ball
10	221752	221768	Heel Plate
11	224836	224837	Washer - Back-Up
12	228256	228257	"U" Cup
13	225643	225643	"U" Cup Retainer
14	226331	226331	Spring - Up-Stop
15	223166	223166	Screen
16	210411	210411	Washer - Ram Screen
17	221750	221766	Cylinder - Ram
18	201733	201733	Exp. Plug
19	226373	226373	Adj. Nut - Overload Valve
20	226375	226375	Spring - Overload Valve
21	226376	226376	Adapter - Overload Valve
22	203196	203196	Ball Valve - Overload
23	227095	227095	Filler Plug Assy.
24	204842	204842	Gasket - Pressure Plug
25	203201	203201	Ball Valve - Pressure
26	221742	221742	Plug
27	203198	203198	Ball Valve
28	226324	226324	Plug
29	222257 (2)	222257 (2)	Plug
30	222201	222201	Spring
31	203205	203205	Ball Valve
32	221740	221740	Plug
33	203200	203200	Ball Valve
34	221738	226353	Spring
35	221739	221739	Poppet Valve
36	210311 (3)	210311 (3)	Allen Plug - Pipe
37	222533 (2)	222533 (2)	Screen
38	229801	228283	Base
39	222095	222095	Release Stem Assy.
40	212227	212227	Release Valve
41	214555	214555	"O" Ring
42	212875	212875	Release Stem
43	220769	220769	Pin
44	226327	226327	Slotted Tube - Rel. Stem
45	222090	222098	Speed Pump Assy.
46	221758	221772	Quad Ring
47	221757	221771	Washer - Back Up
48	221756	221770	Speed Pump
49	204359	204372	Washer
50	213165 (2)	213171 (2)	Packing Ring
51	226315	226326	Gland Nut - Speed Pump
52	204402	204301	Washer (Gland) - Pressure Pump
53	222210 (2)	213152 (2)	Packing Ring - Pressure Pump
54	222209	226314	Gland Nut - Pressure Pump
55	222214	225528	Pressure Pump Assy.
56	224725	224725	Hex Nut
57	204235	218544	Washer
58	226397	218542	Rubber Washer
59	201826 (3)	201827 (3)	"V" Packing
60	222208	221744	Pressure Pump
61	226755	226755	Lifting Cap
62	221793	226295	Cap Housing
63	226319	221825	Pin - Lifting Cap
64	222091	222099	Bell Crank Assy.
65	226318 (3)	226318 (3)	Grease Fitting - Bell Crank/Front Wheels
66	221801	221829	Ram Pin

One (1) part required per code no. unless part no. is followed by () - which is number required.

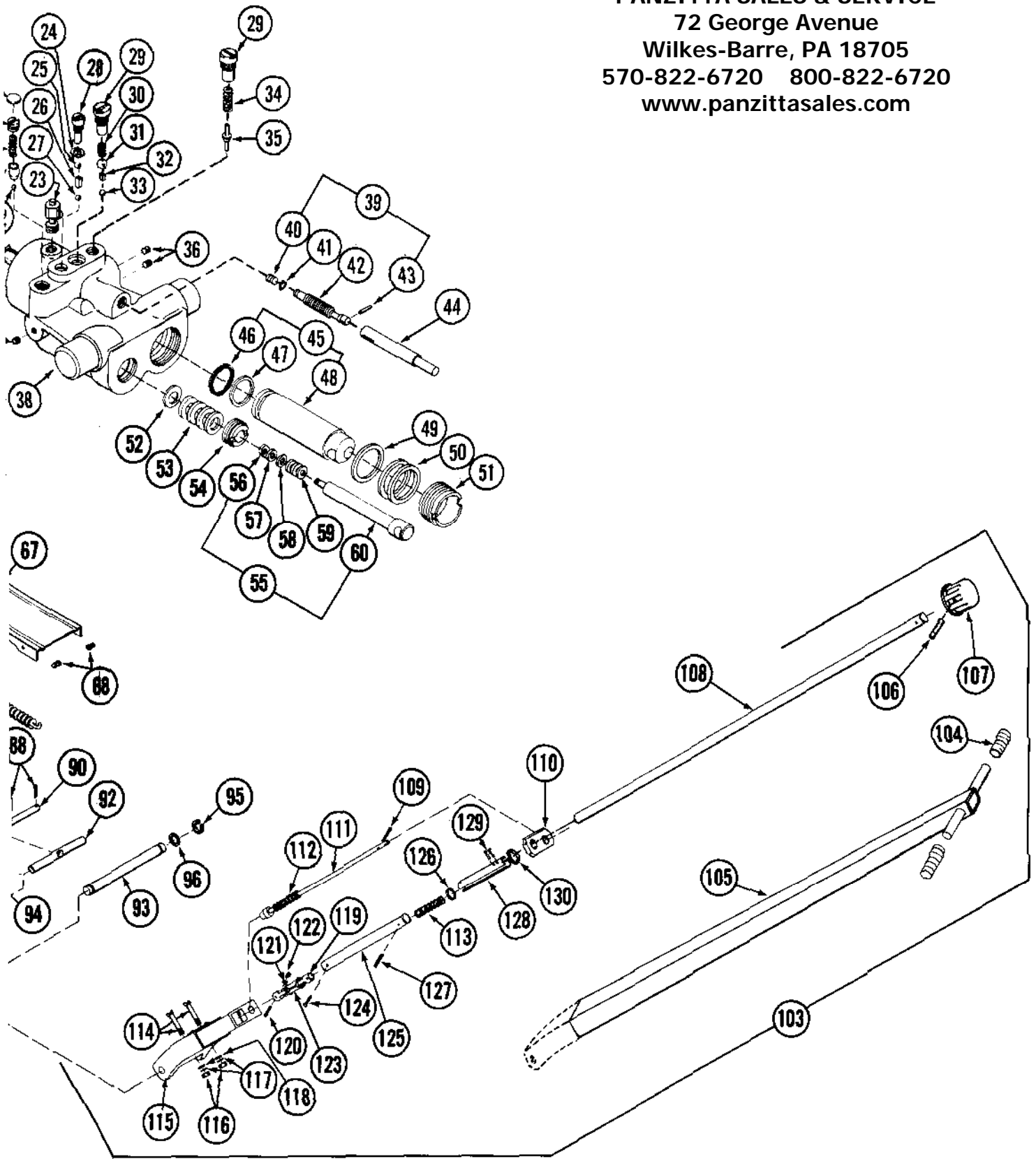
ORDER BY PART NUMBER, NOT BY CODE NUMBER
SEE BACK PAGE FOR COMPLETE NUMERICAL LISTING

PANZITTA SALES & SERVICE
72 George Avenue
Wilkes-Barre, PA 18705
570-822-6720 800-822-6720
www.panzittasales.com



ORDER BY PART NUMBER,
SEE BACK PAGE FOR COMPI

PANZITTA SALES & SERVICE
72 George Avenue
Wilkes-Barre, PA 18705
570-822-6720 800-822-6720
www.panzittasales.com



NUMBER, NOT BY CODE NUMBER
OR COMPLETE NUMERICAL LISTING

MODEL 93655 SERIES "K"
93656 SERIES "K"
93657 SERIES "J"

Code No.	Part No.		Description
	2 Ton	4 Ton	
67	230395	230395	Unit Cover
68	223706 (2)	223706 (2)	Screw - Unit Cover
69	213925 (4)	221798 (2)	Retaining Ring - Parallel Link
70	—	221817 (2)	Retaining Ring - Parallel Link
71	221794	226319	Pin - Cap Housing
72	221792 (2)	221823 (2)	Parallel Link
73	204303 (2)	204303 (2)	Washer - Parallel Link
74	203311 (2)	203313 (2)	Hex Nut
75	201478 (2)	201479 (2)	Washer - Fulcrum Pin
76	221790	221822	Fulcrum Pin
77	221787	221819	Front Axle
78	219509 (2)	219509 (2)	Roll Pin - Front Axle
79	204324 (4)	221778 (4)	Washer - Front Axle
80	204462 (2)	204465 (2)	Cotter Pin
81	226614 (2)	226615 (2)	Front Wheel (Steel)
82	221870	221869	Compression Bar
83	226120 (2)	226120 (2)	Set Screw - Caster
84	221865 (2)	221865 (2)	Sleeve - Caster
85	224370	224372	Side Plate - L.H.
86	224369	224371	Side Plate - R.H.
87	221800 (2)	221800 (2)	Spring - Pull Back
88	204444 (4)	204444 (4)	Cotter Pin - Pump Pin
89	221743	210225	Spacer
90	216646	216646	Pump Pin
91	216645	216645	Pump Pin
92	221799	221799	Universal Support Bearings
93	221795	221795	Handle Fulcrum Pin
94	226325 (2)	226325 (2)	Pump Link
95	221798 (2)	221798 (2)	Retaining Ring - Handle Fulcrum Pin
96	204343 (2)	204343 (2)	Washer - Handle Fulcrum Pin
97	226118 (2)	226119 (2)	Caster
98	221796	221796	Handle Bumper Pin
99	201110 (2)	201110 (2)	Lockwasher - Hdle. Bump. Pin
100	203299 (2)	203299 (2)	Hex Nut - Hdle. Bump. Pin
101	221828 (2)	221828 (2)	Washer - Hdle. Bumper
102	214700	214700	Handle Segment Assy.
103	227444	227444	Handle Assy.
104	221809 (2)	228881 (2)	Handle Grip
105	221781	221781	Handle & Cross Bar Assy.
106	221938	221938	Roll Pin - Knob
107	221937	221937	Release Knob
108	227400	227400	Turning Rod
109	204461	204461	Cotter Pin
110	227397	227397	Release Link
111	227442	227442	Plunger Rod Assy.
112	226372	226372	Spring - Plunger Rod
113	228875	228875	Spring - Univ. Extension
114	200472 (2)	200472 (2)	Bolt - Hdle. Socket
115	227394	227394	Handle Socket
116	203344 (2)	203344 (2)	Hex Nut - Hdle. Socket
117	209964 (2)	209964 (2)	Lockwasher - Hdle. Socket
118	204270 (2)	204270 (2)	Washer
119	213704	213704	Universal Assy.
120	226366	226366	Bolt - Univ. To Rod
121	201784	201784	Lockwasher - Univ. To Rod
122	203332	203332	Hex Nut - Univ. To Rod
123	228354	228354	Universal Assy.
124	202302	202302	Rivet - Univ. To Rod
125	227399	227399	Extension Rod
126	204303	204303	Washer - Univ. Ext. Spring Retainer
127	218987	218987	Roll Pin - Univ. Ext. Rod
128	227398	227398	Rod Connector
129	211341	211341	Rivet
130	204277	204277	Washer - Link
131	228026 (2)		Caster (For Model 9X-656)
132	228022 (2)		Wheel - Front (For Model 9X-656)

One (1) part required per code no. unless part no. is followed by () - which is number required.

ORDER BY PART NUMBER, NOT BY CODE NUMBER
SEE BACK PAGE FOR COMPLETE NUMERICAL LISTING

**MODEL 93655 SERIES "K"
93656 SERIES "K"
93657 SERIES "J"**

NUMERICAL LISTING OF PARTS

Part No.	Code No.	Part No.	Code No.	Part No.	Code No.	Part No.	Code No.
200472	114	213704	119	221819	77	226002	2
201110	99	213925	69	221822	76	226118	97
201478	75	214555	41	221823	72	226119	97
201479	75	214700	102	221825	63	226120	83
201733	18	216645	91	221828	101	226295	62
201784	121	216646	90	221829	69	226314	54
201826	59	218542	58	221865	84	226315	51
201827	59	218544	57	221869	82	226318	65
202302	124	218987	127	221870	82	226319	71
203196	22	219509	78	221937	107	226324	28
203198	27	220769	43	221938	106	226325	94
203199	9	221738	34	222061	3	226326	51
203200	33	221739	35	222062	1	226327	44
203201	25	221740	32	222066	1	226328	7
203205	31	221742	26	222067	3	226329	7
203299	100	221743	89	222090	45	226331	14
203311	74	221744	60	222091	64	226353	34
203313	74	221749	4	222095	39	226366	120
203332	122	221750	17	222098	45	226372	112
203344	116	221752	10	222099	64	226373	19
204235	57	221756	48	222201	30	226375	20
204270	118	221757	47	222208	60	226376	21
204277	130	221758	46	222209	54	226397	58
204301	52	221765	4	222210	53	226614	81
204303	73, 126	221766	17	222214	55	226615	81
204324	79	221768	10	222257	29	226755	61
204343	96	221770	48	222533	37	227095	23
204359	49	221771	47	223166	15	227394	115
204372	49	221772	46	223706	68	227397	110
204402	52	221778	79	224369	86	227398	128
204444	88	221781	105	224370	85	227399	125
204461	109	221787	77	224371	86	227400	108
204462	80	221790	76	224372	85	227442	111
204465	80	221792	72	224725	56	227444	103
204842	24	221793	62	224767	5	228022	132
209964	117	221794	71	224782	5	228026	131
210225	89	221795	93	224836	11	228256	12
210311	36	221796	98	224837	11	228257	12
210411	16	221798	95	224840	6	228283	38
211341	129	221798	69	224841	6	228354	123
212227	40	221799	92	225481	8	228875	113
212875	42	221800	87	225482	8	228881	104
213152	53	221801	66	225643	13	229801	38
213165	50	221809	104	226001	2	230395	67
213171	50	221817	70				

PANZITTA SALES & SERVICE
72 George Avenue
Wilkes-Barre, PA 18705
570-822-6720 800-822-6720
www.panzittasales.com