

---

**WALKER**

---

**SERVICE  
DIVISION**

**Jack Parts Sheet**

**MODEL 93652**

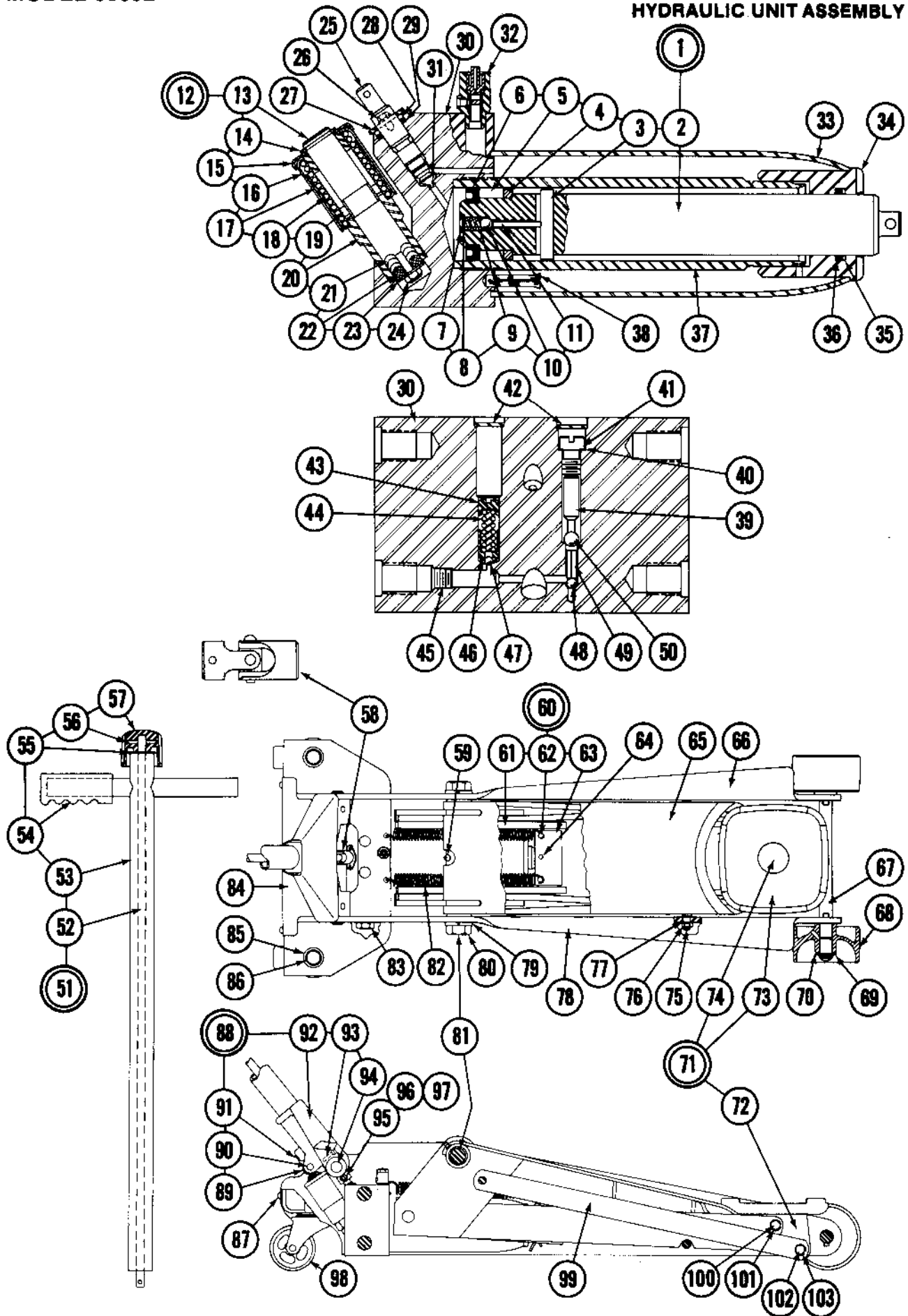
**SERIES "A"**

**2 TON CAPACITY  
HYDRAULIC SERVICE JACK**



**PANZITTA SALES & SERVICE**  
72 George Avenue  
Wilkes-Barre, PA 18705  
570-822-6720 800-822-6720  
[www.panzittasales.com](http://www.panzittasales.com)

HYDRAULIC UNIT ASSEMBLY



ORDER BY PART NUMBER, **NOT** CODE NUMBER  
SEE BACK PAGE FOR COMPLETE NUMERICAL LISTING

**PANZITTA SALES & SERVICE**  
**72 George Avenue**  
**Wilkes-Barre, PA 18705**  
**570-822-6720 800-822-6720**  
**www.panzittasales.com**

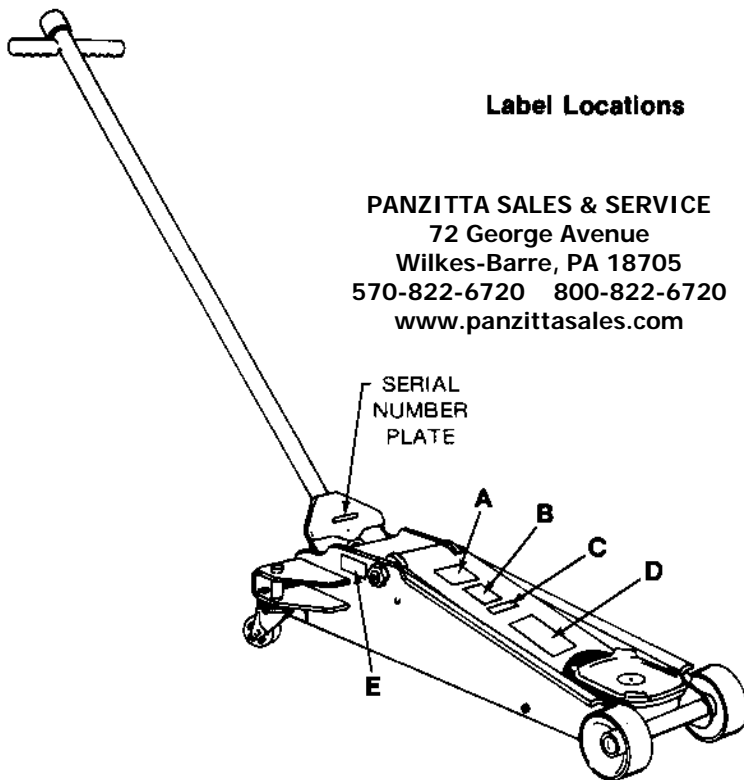
**MODEL 93652**

Code No.	Part No.	Description	No. Req'd.	Code No.	Part No.	Description	No. Req'd.
—	—	Hydraulic Unit Assy.		55	230328	Washer	1
1	230299	Ram Assy.	1	56	221938	Rollpin	1
2	230302	Ram	1	57	221937	Turning Knob	1
3	226328	Cross Pin	1	58	231567	Universal Assy.	1
4	230300	Back-up Washer	1	59	226318	Grease Fitting	1
5	230301	Heel Plate	1	60	230309	Cross Head & Link Assy.	1
6	228256	"U" Cup	1	61	230310	Pull Link	2
7	210411	Washer	1	62	226335	Stud	2
8	223166	Ram Screen	1	63	230311	Cross Head	1
9	226331	Spring	1	64	230399	Cotter Pin	1
10	203199	Ball	1	65	230303	Bell Crank	1
11	230824	Pin	1	66	230314	L. H. Sideplate Assy.	1
12	227045	Pump Assy.	1	67	221716	Front Axle	1
13	226350	Pump Piston	1	68	226614	Front Wheel	2
14	201803	Retainer	1	69	214557	Retaining Ring	2
15	226365	Cap	1	70	204324	Washer	2
16	226356	Pump Sleeve	1	71	221701	Cap Housing Assy	1
17	226357	Pump Sleeve - Bottom	1	72	226491	Cap Housing	1
18	226348	Spring	1	73	221702	Cap	1
19	201142	Cross Pin	1	74	226355	Stud	1
20	226339	Cylinder	1	75	221704	Spacer Pin	1
21	201828	"V" Packing	3	76	203275	Nut	2
22	226351	Adapter	1	77	201789	Lockwasher	2
23	204233	Washer	1	78	230417	R. H. Sideplate Assy.	1
24	224725	Nut	1	79	201478	Lockwasher	2
25	218413	Release Stem	1	80	203311	Nut	2
26	222940	Screw	2	81	210700	Fulcrum Pin	1
27	218414	Retaining Plate	1	82	230312	Spring	2
28	212374	Back-up Washer	1	83	226364	Bolt	4
29	212375	"O" Ring	1	84	221723	Shroud	1
30	230416	Unit Block	1	85	204324	Washer	2
31	218043	Release Valve	1	86	214557	Retaining Ring	2
32	227095	Filter Plug/Vent	1	87	221724	Drive Screw	2
33	230298	Oil Tank	1	88	230322	Handle Socket Assy.	1
34	225516	Tank Nut	1	89	226334	Roller	1
35	221747	Back-up Washer	1	90	213915	Roller Pin	1
36	221748	Quad Ring	1	91	230323	Set Screw	1
37	230823	Cylinder	1	92	230400	Handle Socket	1
38	221318	Screen	1	93	202359	Rivet	2
39	211014	Spacer	1	94	226336	Pin	2
40	204842	Gasket	1	95	226366	Boit	1
41	211013	Pressure Plug	1	96	201784	Washer	1
42	201733	Expansion Plug	2	97	203352	Nut	1
43	226373	Adj. Nut	1	98	225602	Caster	2
44	226375	Spring	1	99	230315	Parallel Link	2
45	210311	Plug	1	100	221703	Pin	1
46	226376	Adapter	1	101	201801	Retaining Ring	2
47	203196	Ball	1	102	226349	Pin	1
48	203198	Ball	1	103	201801	Retaining Ring	2
49	226330	Spacer	1				
50	203201	Ball	1				
51	231568	Handle Assy.	1				
52	230325	Handle Rod	1				
53	230327	Tube and Cross Bar	1				
54	221809	Grip	2				

**MODEL 93652**

**NUMERICAL LISTING OF PARTS**

Part No.	Code No.	Part No.	Code No.	Part No.	Code No.	Part No.	Code No.
201142	19	212375	29	226328	3	230298	33
201478	79	213915	90	226330	49	230299	1
201733	42	214557	69 & 86	226331	9	230300	4
201784	96	218043	31	226334	89	230301	5
201789	77	218413	25	226335	62	230302	2
201801	101 & 103	218414	27	226336	94	230303	65
201803	14	221318	38	226339	20	230309	60
201828	21	221701	71	226348	18	230310	61
202359	93	221702	73	226349	102	230311	63
203196	47	221703	100	226350	13	230312	82
203198	48	221704	75	226351	22	230314	66
203199	10	221716	67	226355	74	230315	99
203201	50	221723	84	226356	16	230322	88
203275	76	221724	87	226357	17	230323	91
203311	80	221747	35	226364	83	230325	52
203352	97	221748	36	226365	15	230327	53
204233	23	221809	54	226366	95	230328	55
204324	70 & 85	221937	57	226373	43	230399	64
204842	40	221938	56	226375	44	230400	92
210311	45	222940	26	226376	46	230416	30
210411	7	223166	8	226491	72	230417	78
210700	81	224725	24	226614	68	230823	37
211013	41	225516	34	227045	12	230824	11
211014	39	225602	98	227095	32	231567	58
212374	28	226318	59	228256	6	231568	51



**A**

**INSTRUCTIONS**

1. This jack is designed for use only on level, firm surfaces. Do not use on soft, uneven, or slippery surfaces. Do not use on uneven or soft surfaces. Do not use on uneven or soft surfaces. Do not use on uneven or soft surfaces.

**CAUTION**

Do not use on uneven or soft surfaces. Do not use on uneven or soft surfaces. Do not use on uneven or soft surfaces. Do not use on uneven or soft surfaces.

**FOR YOUR SAFETY**

**B**

**2**

**TON**

**C**

**93652**

**D**

**WALKER**

**E**

**WALKER**

MODEL  RANGE

SERIES  TONS CAP.

WALKER MANUFACTURING FACILITY WISCONSIN