

**WALKER**

**SERVICE  
DIVISION**

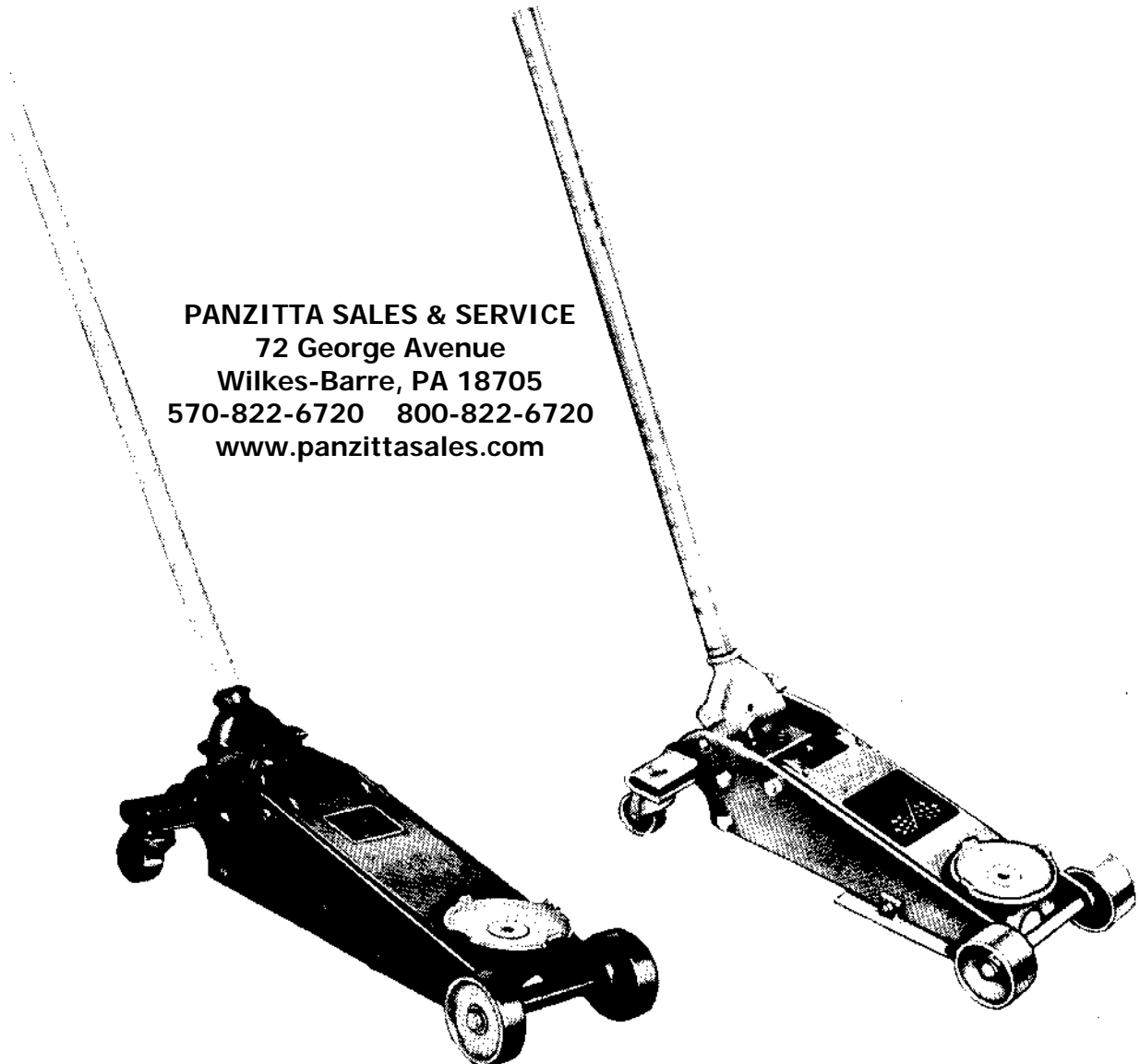
## Jack Parts Sheet

**MODEL 93633** (was J-121)  
SERIES "A, B & C"

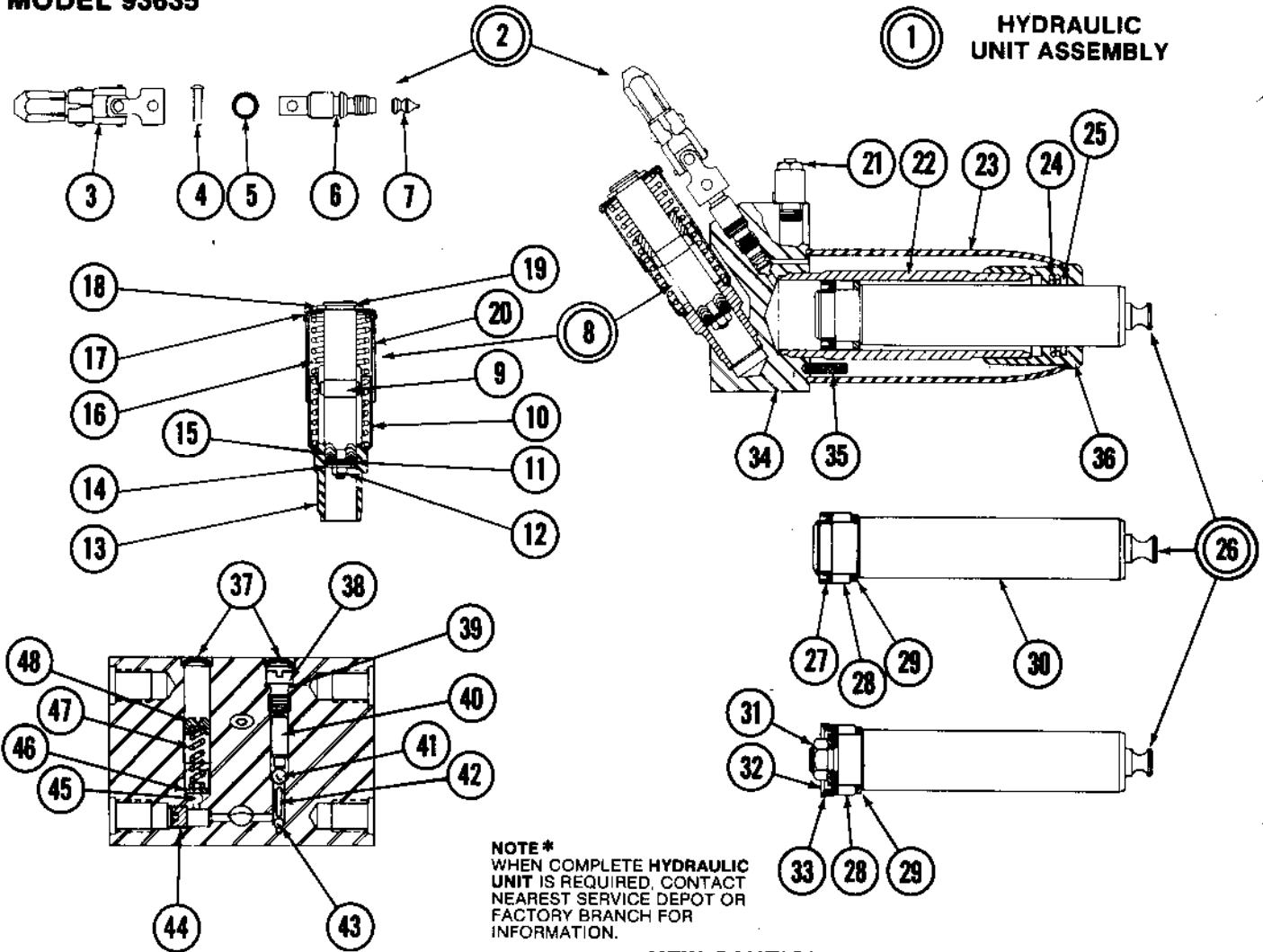
**MODEL 93635**  
SERIES "A"

**1¼ TON CAPACITY**  
HYDRAULIC SERVICE JACK

PANZITTA SALES & SERVICE  
72 George Avenue  
Wilkes-Barre, PA 18705  
570-822-6720 800-822-6720  
[www.panzittasales.com](http://www.panzittasales.com)



**MODEL 93633 (was J-121)**  
**MODEL 93635**



**NOTE \***  
 WHEN COMPLETE HYDRAULIC UNIT IS REQUIRED, CONTACT NEAREST SERVICE DEPOT OR FACTORY BRANCH FOR INFORMATION.

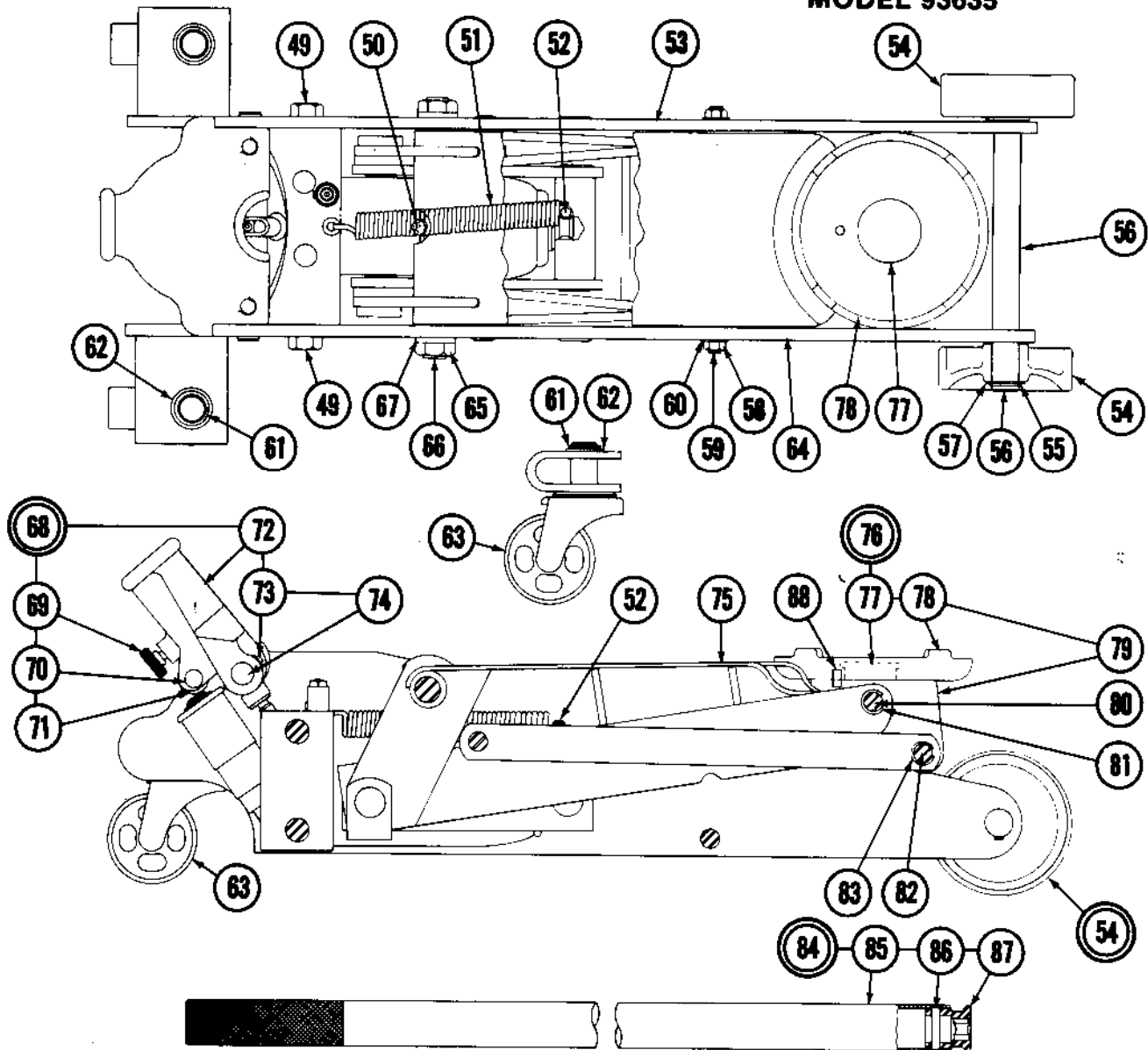
**NEW CAUTION and INSTRUCTION PLATES, must be replaced on every repair.**

**ORDER BY PART NUMBER, NOT CODE NUMBER**  
**SEE BACK PAGE FOR COMPLETE NUMERICAL LISTING**

Code No.	93633 A	93633 B	93633 C	93635 A	Description	No. Req'd.	Code No.	93633 A	93633 B	93633 C	93635 A	Description	No. Req'd.
1					Hydraulic Unit Assembly	1	25	221747	221747	221747	221747	Back-Up Washer	1
2	227874	227874	227874	227874	Universal Assy. & Release Valve	1	26	224863	224863	224863	227056	Ram Assembly	1
3	228349	228349	228349	228349	Universal Assembly	1	27	227919	—	227919	228794	"U" Cup	1
4	211341	211341	211341	211341	Rivet	1	28	224760	—	224760	227059	Heel Plate	1
5	216143	216143	216143	216143	"O" Ring	1	29	224867	—	224867	None	Back-Up Washer	1
6	224869	224869	224869	224869	Release Stem	1	30	224864	Note 1	224864	227058	Ram	1
7	218043	218043	218043	218043	Release Valve	1	31	—	203287	—	—	Nut	1
8	227045	227045	227045	227048	Pump Assembly	1	32	—	204286	—	—	Washer	1
9	201142	201142	201142	201142	Cross Pin	1	33	—	200501	—	—	Leather Cup	1
10	226357	226357	226357	226357	Bottom Sleeve	1	34	224871	224871	224871	224871	Unit Block	1
11	226351	226351	226351	226351	Adapter	1	35	210180	210180	210180	210180	Screen	1
12	212170	212170	212170	224342	Nut	1	36	224862	224862	224862	224862	Tank Nut	1
13	226339	226339	226339	227050	Pump Cylinder	1	37**	201733	201733	201733	201733	Expansion Plug	2
14	204233	204233	204233	227052	Washer	1	38	211013	211013	211013	211013	Plug	1
15	201828	201828	201828	228793	"V" Packing	3	39	204842	204842	204842	204842	Gasket-Pressure Plug	1*
16	226348	226348	226348	226348	Spring	1	40	211014	211014	211014	211014	Spacer-Discharge	1
17	226365	226365	226365	226365	Cover	1	41	203201	203201	203201	203201	Valve-Discharge	1
18	201803	201803	201803	201803	Retaining Washer	1	42	226330	226330	226330	226330	Spacer-Suction	1
19	226350	226350	226350	227049	Piston	1	43	203198	203198	203198	203198	Valve-Suction	1
20	226356	226356	226356	226356	Top Sleeve	1	44	210311	210311	210311	210311	Plug	1
21	227095	227095	227095	227060	Filler Plug Assembly	1	45**	203196	203196	203196	203196	Valve-Safety	1
22	224870	224870	224870	227055	Cylinder	1	46**	226376	226376	226376	226376	Adapter-Safety	1
23	224861	224861	224861	224861	Oil Tank	1	47**	226375	226375	226375	226375	Spring-Safety	1
24	221748	221748	221748	221748	Quad Ring	1	48**	226373	226373	226373	226373	Adj. Nut-Safety	1

Note 1 - If Ram is Required, order complete Ram Assembly.  
 \*\* - Repairs not recommended without required special tools & test equipment.  
 \* - Racing Jack requires two gaskets.

**MODEL 93633 (was J-121)  
MODEL 93635**



**ORDER BY PART NUMBER, NOT CODE NUMBER  
SEE BACK PAGE FOR COMPLETE NUMERICAL LISTING**

Code No.	93633 A	93633 B	93633 C	93635 A	Description	No. Req'd.	Code No.	93633 A	93633 B	93633 C	93635 A	Description	No. Req'd.
49	226364	226364	226364	226364	Shoulder Bolt	4	70	213915	213915	213915	213915	Pin	1
50	226318	226318	226318	226318	Lube Fitting	1	71	226334	226334	226334	226334	Roller	1
51	225924	225924	225924	225924	Pull Back Spring	1	72	224887	224887	224887	224887	Handle Socket	1
52	224888	224888	224888	224888	Pin	1	73	202359	202359	202359	202359	Rivet	2
53	224893	224893	224893	224893	L.H. Side Plate Assy.	1	74	226336	226336	226336	226336	Pin	2
54	224899	224899	224899	226614	Front Wheels	2	75	224872	224872	224872	224872	Bell Crank Assy.	1
55	214557	214557	214557	214557	Retaining Rings	2	76	224884	224884	224884	228107	Cap Housing Assy.	1
56	224900	224900	224900	227069	Front Axle	1	77	226355	226355	226355	226355	Pin	1
57	204324	204324	204324	204324	Washer	2	78	226298	226298	226298	228108	Lifting Cap	1
58	203275	203275	203275	203275	Nut	2	79	226491	226491	226491	226491	Cap Housing	1
59	224886	224886	224886	227076	Spacer Pin	1	80	226338	226338	226338	226338	Pin-Cap to Bell Crank	1
60	201789	201789	201789	201789	Lockwasher	2	81	201801	201801	201801	201801	Retaining Ring	2
61	214557	214557	214557	214557	Retaining Ring	2	82	224889	224889	224889	224889	Pin	1
62	204324	204324	204324	204324	Washer	2	83	201801	201801	201801	201801	Retaining Ring	2
63	224885	224885	224885	224885	Caster	2	84	226110	226110	226110	227743	Handle Assembly	1
64	224892	224892	224892	224892	R.H. Side Plate Assy.	1	85	226111	226111	226111	227745	Handle Tube	1
65	203299	203299	203299	203299	Nut	2	86	212908	212908	212908	212908	Groove Pin	1
66	224901	224901	224901	224901	Fulcrum Pin	1	87	226112	226112	226112	226112	Lower End	1
67	201110	201110	201110	201110	Lockwasher	2	88	†	†	†	207490	Set Screw	1
68	226537	226537	226537	226537	Handle Socket Assy.	1	89	†	†	†	227070	Skid Plate	1
69	226341	226341	226341	226341	Thumb Screw	1							

† - Repairs not recommended without required special tools & test equipment.

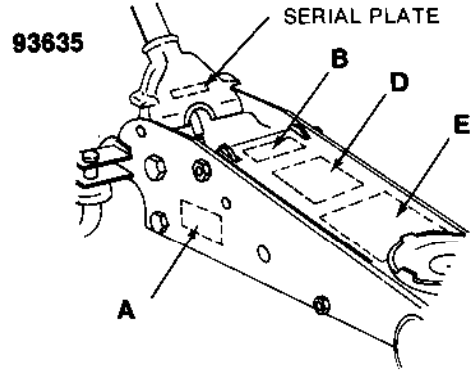
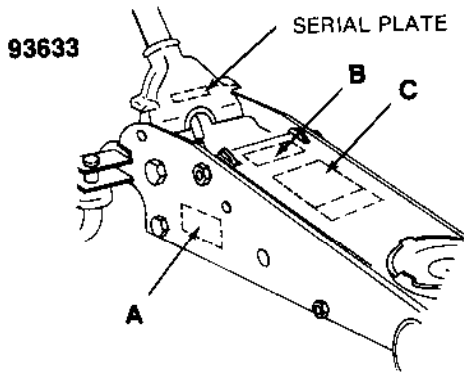
† - Not used.

**MODEL 93633 (was J-121)**  
**MODEL 93635**

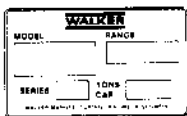
**NUMERICAL LISTING OF PARTS**

Part No.	Code No.	Part No.	Code No.	Part No.	Code No.	Part No.	Code No.
200501	33	212908	86	224899	54	226491	79
201110	67	213915	70	224900	56	226537	68
201142	9	214557	55, 61	224901	66	226614	54
201733	37	216143	5	225924	51	227045	8
201789	60	218043	7	226110	84	227048	8
201801	81, 83	221747	25	226111	85	227049	19
201803	18	221748	24	226112	87	227050	13
201828	15	224342	12	226298	78	227052	14
202359	73	224760	28	226318	50	227055	22
203196	45	224861	23	226330	42	227056	26
203198	43	224862	36	226334	71	227058	30
203201	41	224863	26	226336	74	227059	28
203275	58	224864	30	226338	80	227069	21
203287	31	224867	29	226339	13	227069	56
203299	65	224869	6	226341	69	227070	89
204233	14	224870	22	226348	16	227076	59
204286	32	224871	34	226350	19	227095	21
224324	57, 62	224872	75	226351	11	227743	84
204842	39	224884	76	226355	77	227745	85
207490	88	224885	63	226356	20	227874	2
210180	35	224886	59	226357	10	227919	27
210311	44	224887	72	226364	49	228107	76
211013	38	224888	52	226365	17	228108	78
211014	40	224889	82	226373	48	228349	3
211341	4	224892	64	226375	47	228793	15
212170	12	224893	53	226376	46	228794	27

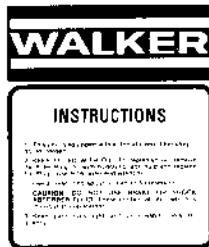
**Label Locations**



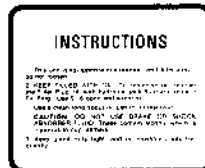
**A**



**C**



**D**



**E**



**B**



**PANZITTA SALES & SERVICE**  
 72 George Avenue  
 Wilkes-Barre, PA 18705  
 570-822-6720 800-822-6720  
 www.panzittasales.com