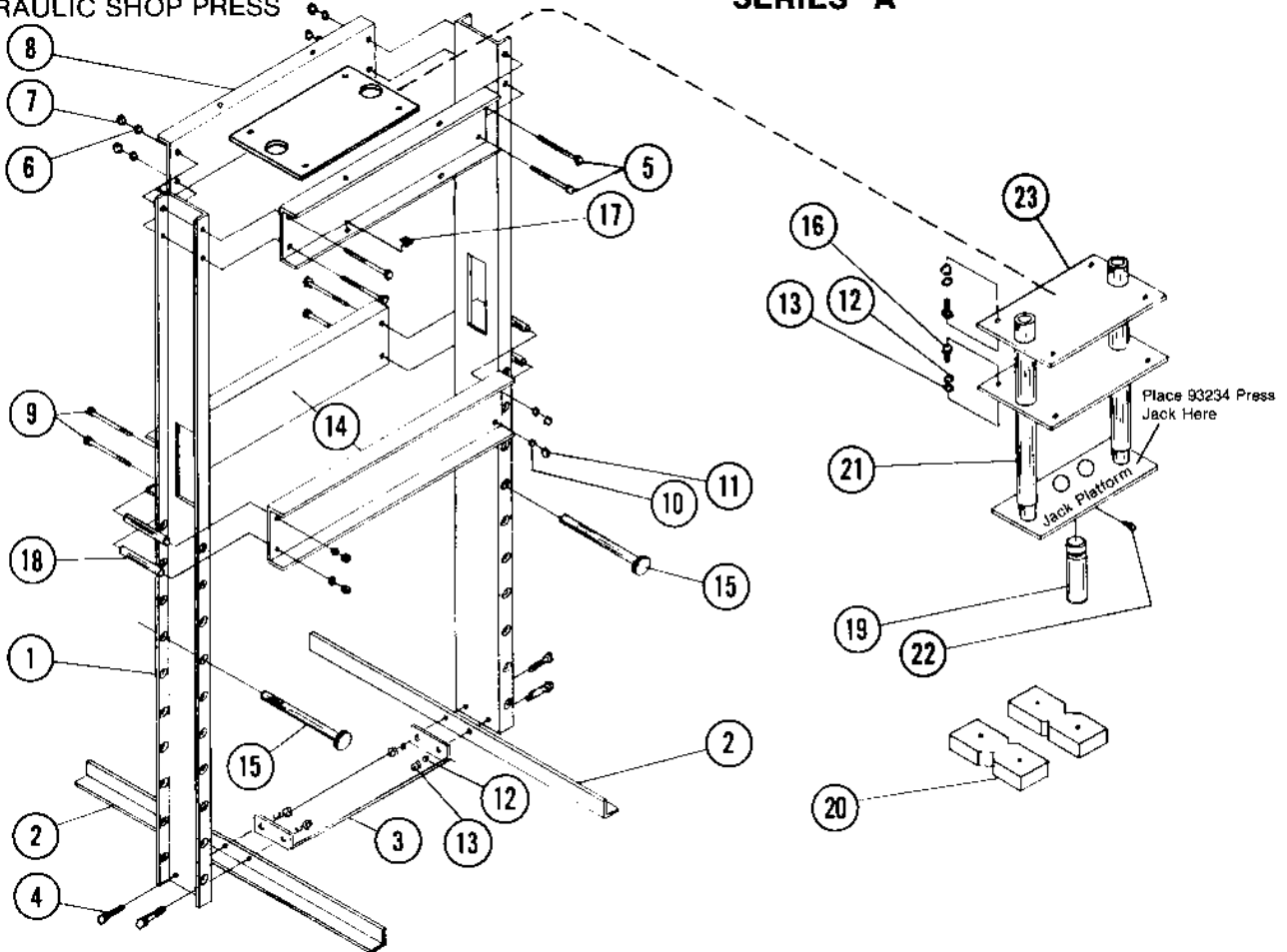


WALKER

SERVICE DIVISION

Jack Parts Sheet MODEL 93618 (was J842) SERIES "A"

25 TON CAPACITY
HYDRAULIC SHOP PRESS



Code No.	Part No.	Description	No. Req'd.	Code No.	Part No.	Description	No. Req'd.
1	227310	Sidepost	2	13	203348	Nut 1/2-13	12
2	227305	Base	2	14	227299	Bed Channel	2
3	225308	Link Strap	1	15	227303	Pin	2
4	225225	Bolt 1/2-13 x 1-1/4	4	16	212675	Bolt 1/2-13 x 1-1/2	8
5	227298	Bolt 5/8-11 x 6-1/2	4	17	225469	Washer - Beveled	8
6	201110	Lockwasher 5/8	4	18	227302	Spacer	4
7	203352	Nut 5/8-11	4	19	227332	Stud	1
8	227296	Cross Member	2	20	227307	Arbor Plate Assembly	2
9	227301	Bolt 3/8-24	4	21	227284	Head Assembly	1
10	209964	Lockwasher 3/8	4	22	205374	Set Screw 5/16-18 x 7/8	1
11	203275	Nut 3/8-24	4	23	227294	Top Plate	1
12	225254	Lockwasher 1/2	12				

ORDER BY PART NUMBER, NOT BY CODE NUMBER

PANZITTA SALES & SERVICE

72 George Avenue

Wilkes-Barre, PA 18705

570-822-6720 800-822-6720

www.panzittasales.com