



SERVICE DIVISION

PANZITTA SALES & SERVICE
 72 George Avenue
 Wilkes-Barre, PA 18705
 570-822-6720 800-822-6720
 www.panzittasales.com

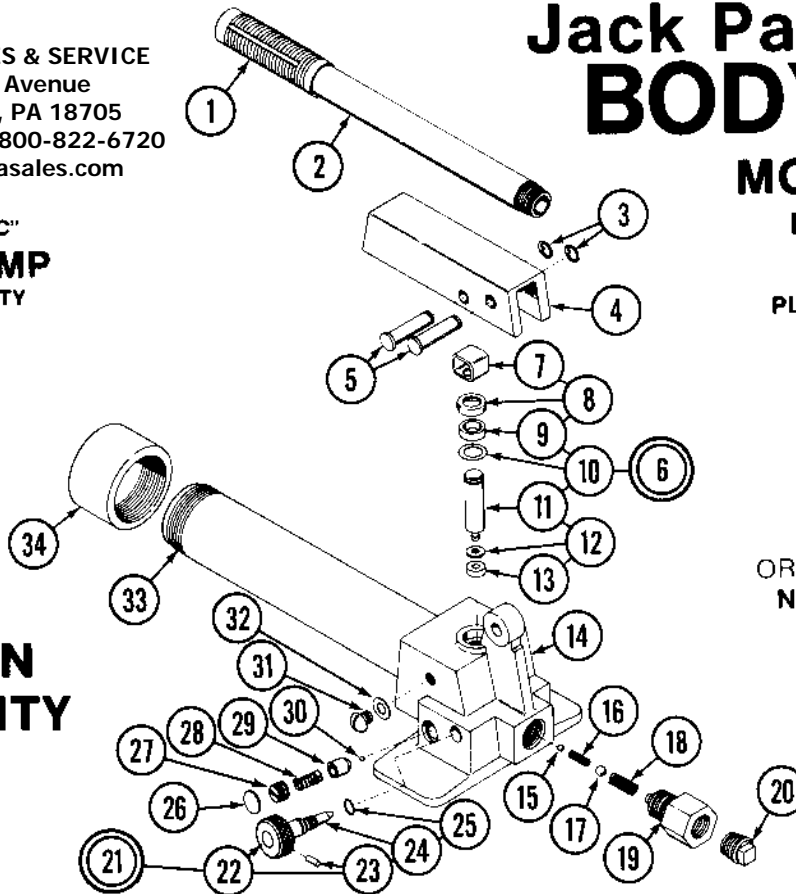
93102 SERIES "C"
HAND PUMP
 10 TON CAPACITY

Jack Parts Sheet **BODY-JAK™**

MODEL 93535-C

PUMP, RAM & HOSE
 93102-C PUMP
 93111-C STD. RAM
 PLUS—93110-C SHORT RAM
 93108-B SPREADER*

*Can be used with 93101
 and 93102 Pumps.



**10 TON
 CAPACITY**

ORDER BY PART NUMBER,
 NOT BY CODE NUMBER

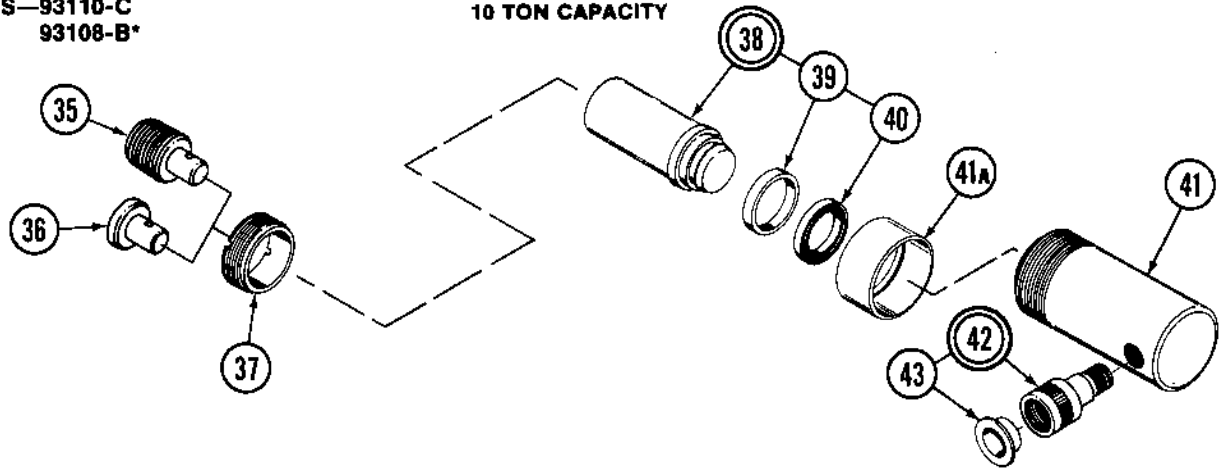
Code No.	Part No.	Description	No. Req'd.	Code No.	Part No.	Description	No. Req'd.
1	230665	Handle Grip	1	18	222201	Spring	1
2	230676	Handle	1	19	230675	Plug	1
3	220018	Retaining Rings	2	20	230674	Pipe Plug	1
4	230656	Handle Socket	1	21	230650	Release Stem Assembly	1
5	230661	Pump & Fulcrum Pin	2	22	230653	Knob	1
6	226180	Pump Assembly	1	23	230651	Roll Pin	1
7	209910	Clip	1	24	230652	Stem	1
8	216258	Pump Cover	1	25	218776	'O'-Ring	1
9	213149	Pump Gland Packing	1	26	201733	Expansion Plug	1
10	204281	Washer	1	27	226373	Adjusting Screw - Safety Valve	1
11	226179	Pump Piston	1	28	226375	Spring	1
12	214161	Leather Washer	1	29	226376	Adapter	1
13	214154	"U"-Cup	1	30	203196	Ball (5/32)	1
14	230669	Base	1	31	212540	Filler Screw	1
15	203197	Ball (3/16)	1	32	200003	Gasket	1
16	217909	Spring	1	33	230673	Oil Tank	1
17	203201	Ball (5/16)	1	34	230671	End Cap	1

Items such as hoses, etc. are classified as accessories and are available through new equipment catalog only.

MODEL 93535-C

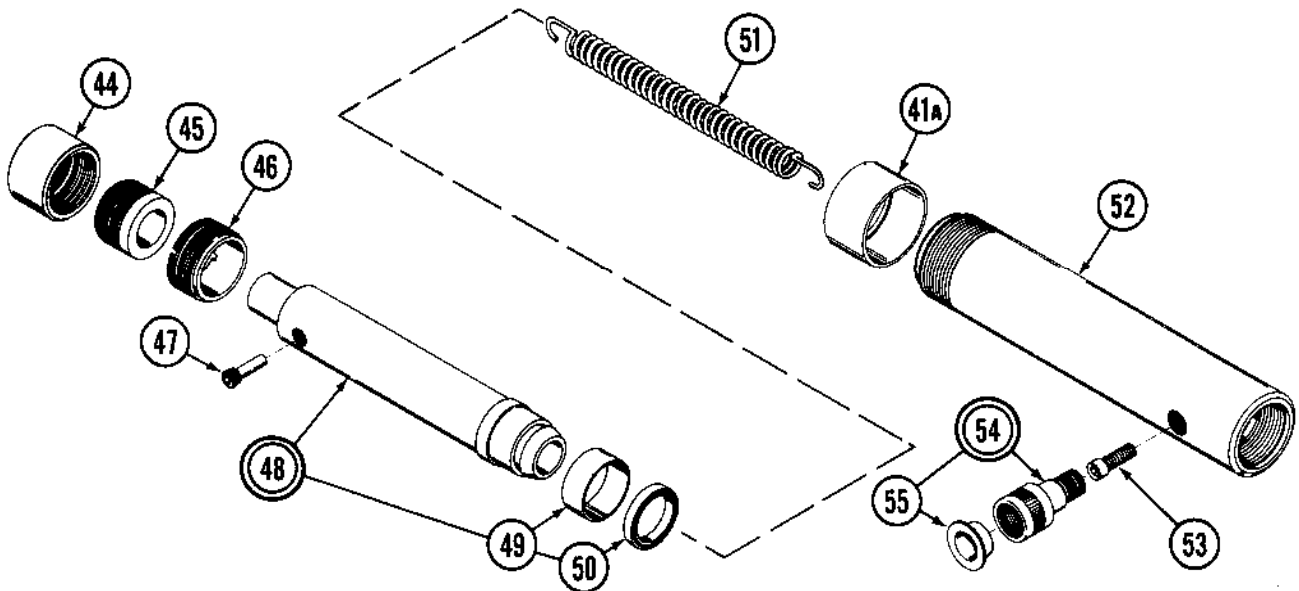
93102-C
93111-C
PLUS—93110-C
93108-B*

93110 SERIES "C"
SHORT RAM
10 TON CAPACITY



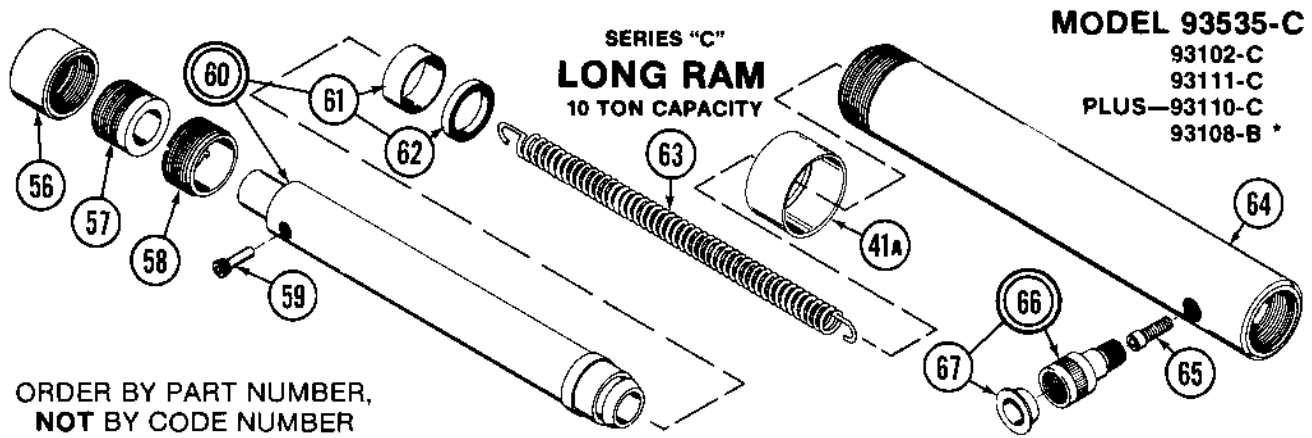
Code No.	Part No.	Description	No. Req'd.	Code No.	Part No.	Description	No. Req'd.
35	230727	Male Adapter	1	40	230733	"U"-Cup	1
36	230730	Lift Cap	1	41A	230737	Thread Protector	1
37	230735	Ram Nut	1	41	230736	Ram Housing	1
38	231807	Ram Assy.	1	42	93183	Ram Half Coupler**	1
39	230732	Heel Plate	1	43	230763	Dust Cap	1

93111 SERIES "C"
STANDARD RAM
10 TON CAPACITY



Code No.	Part No.	Description	No. Req'd.	Code No.	Part No.	Description	No. Req'd.
44	230745	Ram Head	1	50	230733	"U"-Cup	1
45	230744	Ram Cap	1	51	230750	Return Spring	1
46	230748	Ram Nut	1	52	230749	Ram Housing	1
47	230751	Retainer	1	53	230752	Screw	1
48	231810	Ram Assy.	1	54	93183	Ram Half Coupler	1
49	230746	Heel Plate	1	55	230763	Dust Cap	1

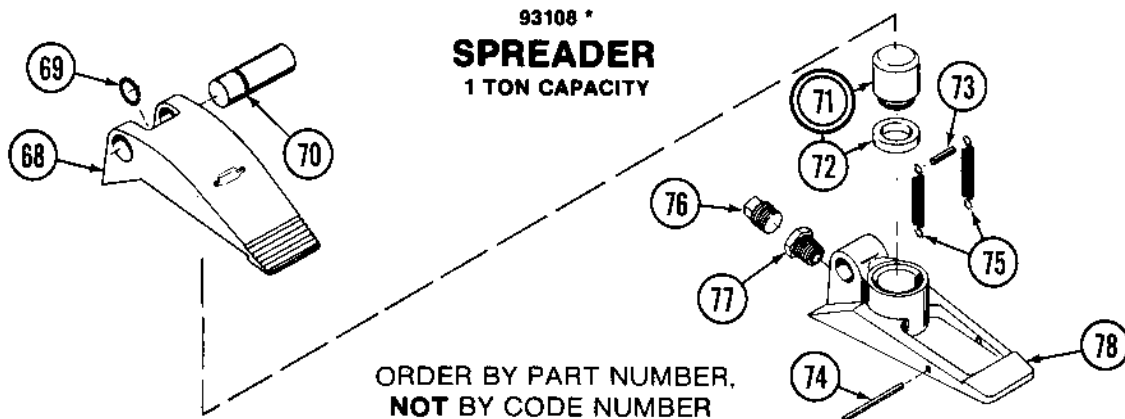
ORDER BY PART NUMBER, **NOT** BY CODE NUMBER



MODEL 93535-C
 93102-C
 93111-C
 PLUS—93110-C
 93108-B *

ORDER BY PART NUMBER,
 NOT BY CODE NUMBER

Code No.	Part No.	Description	No. Req'd.	Code No.	Part No.	Description	No. Req'd.
56	230745	Ram Head	1	62	230733	"U"-Cup	1
57	230744	Ram Cap	1	63	230766	Return Spring	1
58	230748	Ram Nut	1	64	230765	Ram Housing	1
59	230751	Retainer	1	65	230752	Screw	1
60	231811	Ram Assy.	1	66	93183	Ram Half Coupler**	1
61	230746	Heel Plate	1	67	230763	Dust Cap	1



93108 *
SPREADER
 1 TON CAPACITY

ORDER BY PART NUMBER,
 NOT BY CODE NUMBER

Code No.	Part No.	Description	No. Req'd.	Code No.	Part No.	Description	No. Req'd.
68	230786	Spreader - Upper Half	1	74	221938	Roll Pin - Return Spring	1
69	230792	Retaining Ring	1	75	230791	Return Spring	2
70	230790	Fulcrum Pin	1	76	230674	Pipe Plug	1
71	230782	Ram Assy.	1	77	230973	Reducer	1
72	230785	"U"-Cup	1	78	230788	Spreader - Lower Half	1
73	219960	Roll Pin - Return Spring	1				

NUMERICAL LISTING OF PARTS

Part No.	Code No.	Part No.	Code No.	Part No.	Code No.	Part No.	Code No.
93183	42, 54, 66	226180	6	230733	40, 50, 62	230791	75
200003	32	226373	27	230735	37	230792	69
201733	26	226375	28	230736	41	230973	77
203196	30	226376	29	230737	41A	231807	38
203197	15	230650	21	230744	45, 57	231810	48
203201	17	230651	23	230745	44, 56	231811	60
204281	10	230652	24	230746	49, 61		
209910	7	230653	22	230748	46, 58		
212540	31	230656	4	230749	52		
213149	9	230661	5	230750	51		
214154	13	230665	1	230751	47, 59		
214161	12	230669	14	230752	53, 65		
216258	8	230671	34	230763	43, 55, 67		
217909	16	230673	33	230765	64		
218776	25	230674	20, 76	230766	63		
219960	73	230675	19	230782	71		
220018	3	230676	2	230785	72		
221938	74	230727	35	230786	68		
222201	18	230730	36	230788	78		
226179	11	230732	39	230790	70		