



SERVICE DIVISION

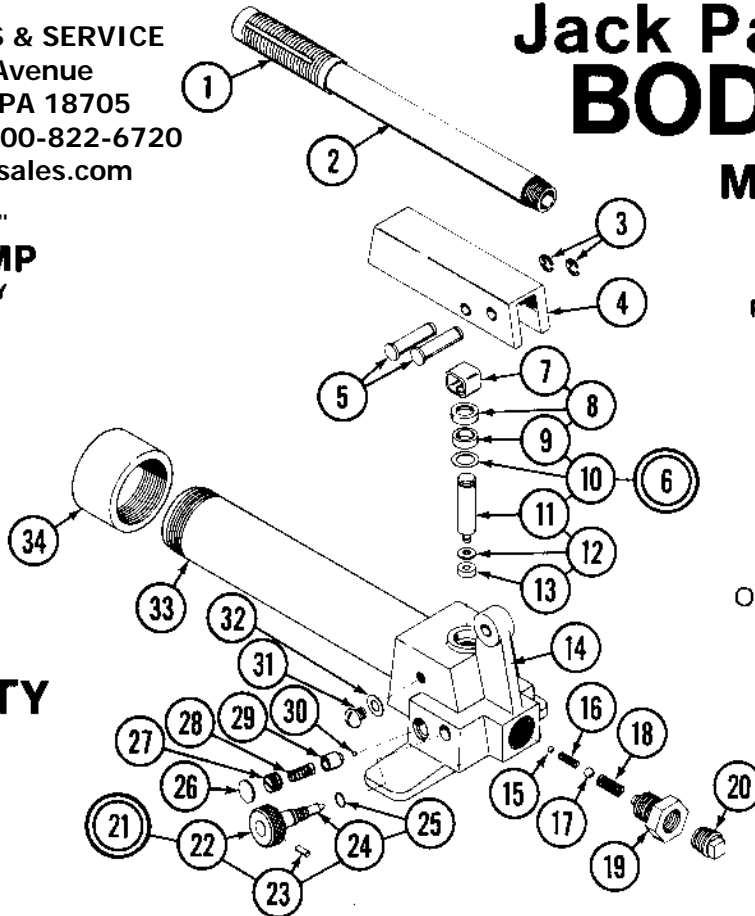
PANZITTA SALES & SERVICE
 72 George Avenue
 Wilkes-Barre, PA 18705
 570-822-6720 800-822-6720
 www.panzittasales.com

93101 SERIES "C"
HAND PUMP
 4 TON CAPACITY

Jack Parts Sheet **BODY-JAK**™

MODEL 93531-C
PUMP, RAM & HOSE
 93101-C PUMP
 93107-C STD. RAM
 PLUS—93106-C SHORT RAM
 93108-B* SPREADER*

*Can be used with 93101 and 93102 Pumps.



4 TON CAPACITY

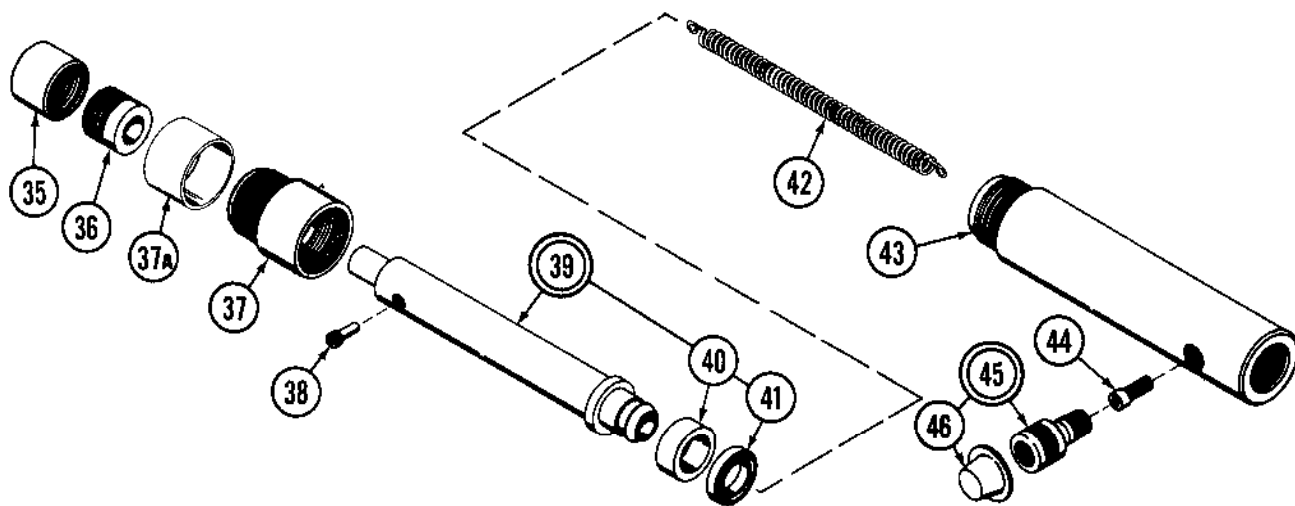
ORDER BY PART NUMBER,
 NOT BY CODE NUMBER

Code No.	Part No.	Description	No. Req'd.	Code No.	Part No.	Description	No. Req'd.
1	230665	Handle Grip	1	18	222201	Spring	1
2	230664	Handle	1	19	230663	Plug	1
3	220018	Retaining Rings	2	20	230662	Pipe Plug	1
4	230656	Handle Socket	1	21	230650	Release Stem Assembly	1
5	230661	Pump & Fulcrum Pin	2	22	230653	Knob	1
6	226180	Pump Assembly	1	23	230651	Roll Pin	1
7	209910	Clip	1	24	230652	Stem	1
8	216258	Pump Cover	1	25	218776	O-Ring	1
9	213149	Pump Gland Packing	1	26	201733	Expansion Plug	1
10	204281	Washer	1	27	226373	Adjusting Screw - Safety Valve	1
11	226179	Pump Piston	1	28	226375	Spring	1
12	214161	Leather Washer	1	29	226376	Adapter	1
13	214154	"U"-Cup	1	30	203196	Ball (5/32)	1
14	230654	Base	1	31	212540	Filler Screw	1
15	203197	Ball (3/16)	1	32	200003	Gasket	1
16	217909	Spring	1	33	230660	Oil Tank	1
17	203201	Ball (5/16)	1	34	230658	End Cap	1

Items such as hoses, etc. are classified as accessories and are available through new equipment catalog only.

MODEL 93531-C
 93101-C
 93107-C
 PLUS—93106-C
 93108-B*

93107 SERIES "C"
STANDARD RAM
 4 TON CAPACITY

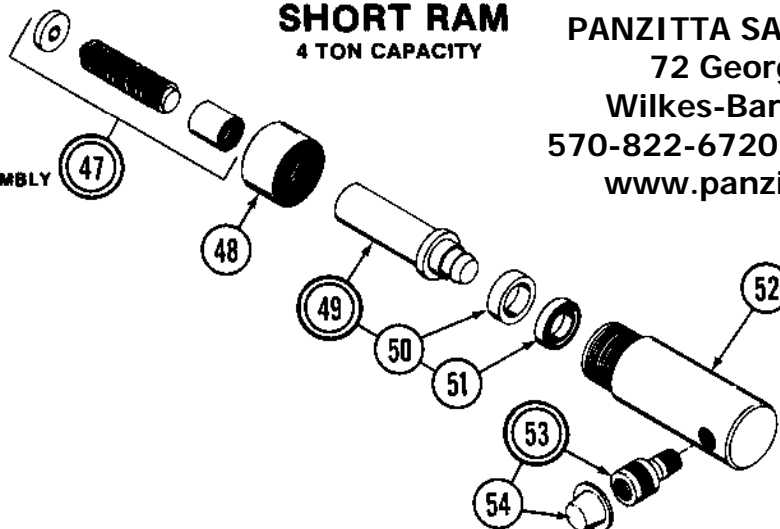


Code No.	Part No.	Description	No. Req'd.	Code No.	Part No.	Description	No. Req'd.
35	230712	Head	1	41	230700	"U"-Cup	1
36	230711	Ram Cap	1	42	230717	Return Spring	1
37A	230720	Thread Protector	1	43	230716	Ram Housing	1
37	230715	Housing Nut	1	44	230719	Screw	1
38	230718	Retainer	1	45	93138	Ram Half Coupler **	1
39	231808	Ram Assembly	1	46	230763	Dust Cap	1
40	230713	Heel Plate	1				

93106 SERIES "C"
SHORT RAM
 4 TON CAPACITY

PANZITTA SALES & SERVICE
 72 George Avenue
 Wilkes-Barre, PA 18705
 570-822-6720 800-822-6720
www.panzittasales.com

**NOT SERVICEABLE
 EXCEPT AS AN ASSEMBLY**



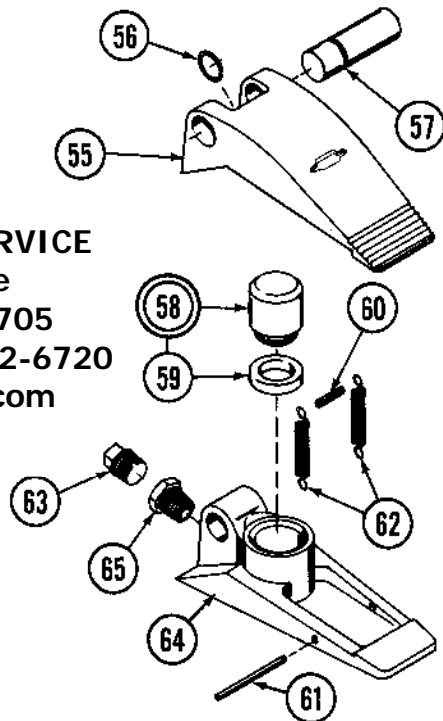
Code No.	Part No.	Description	No. Req'd.	Code No.	Part No.	Description	No. Req'd.
47	230695	Extension Screw & Cap Assy.	1	51	230700	"U"-Cup	1
48	230702	Housing Nut	1	52	230703	Ram Housing	1
49	231809	Ram Assembly	1	53	93138	Ram - Half Coupler	1
50	230699	Heel Plate	1	54	230763	Dust Cap	1

ORDER BY PART NUMBER, **NOT** BY CODE NUMBER

93108 *
SPREADER
 1 TON CAPACITY

MODEL 93531-C
 93101-C
 93107-C
 PLUS—93106-C
 93108-B*

PANZITTA SALES & SERVICE
 72 George Avenue
 Wilkes-Barre, PA 18705
 570-822-6720 800-822-6720
 www.panzittasales.com



Code No.	Part No.	Description	No. Req'd.	Code No.	Part No.	Description	No. Req'd.
55	230786	Spreader - Upper Half	1	61	221938	Rollpin - Return Spring	1
56	230792	Retaining Ring	1	62	230791	Return Spring	2
57	230790	Fulcrum Pin	1	63	230674	Pipe Plug	1
58	230782	Ram Assembly	1	64	230788	Spreader - Lower Half	1
59	230785	"U"-Cup	1	65	230973	Reducer	1
60	219960	Rollpin - Return Spring	1				

NUMERICAL LISTING OF PARTS

Part No.	Code No.	Part No.	Code No.	Part No.	Code No.	Part No.	Code No.
93138	45, 53	220018	3	230661	5	230717	42
200003	32	221938	61	230662	20	230718	38
201733	26	222201	18	230663	19	230719	44
203196	30	226179	11	230664	2	230720	37A
203197	15	226180	6	230665	1	230763	46, 54
203201	17	226373	27	230674	63	230782	58
204281	10	226375	28	230695	47	230785	59
209910	7	226376	29	230699	50	230786	55
212540	31	230650	21	230700	41, 51	230788	64
213149	9	230651	23	230702	48	230790	57
214154	13	230652	24	230703	52	230791	62
214161	12	230653	22	230711	36	230792	56
216258	8	230654	14	230712	35	230973	65
217909	16	230656	4	230713	40	231808	39
218776	25	230658	34	230715	37	231809	49
219960	60	230660	33	230716	43		

ORDER BY PART NUMBER, **NOT** BY CODE NUMBER