



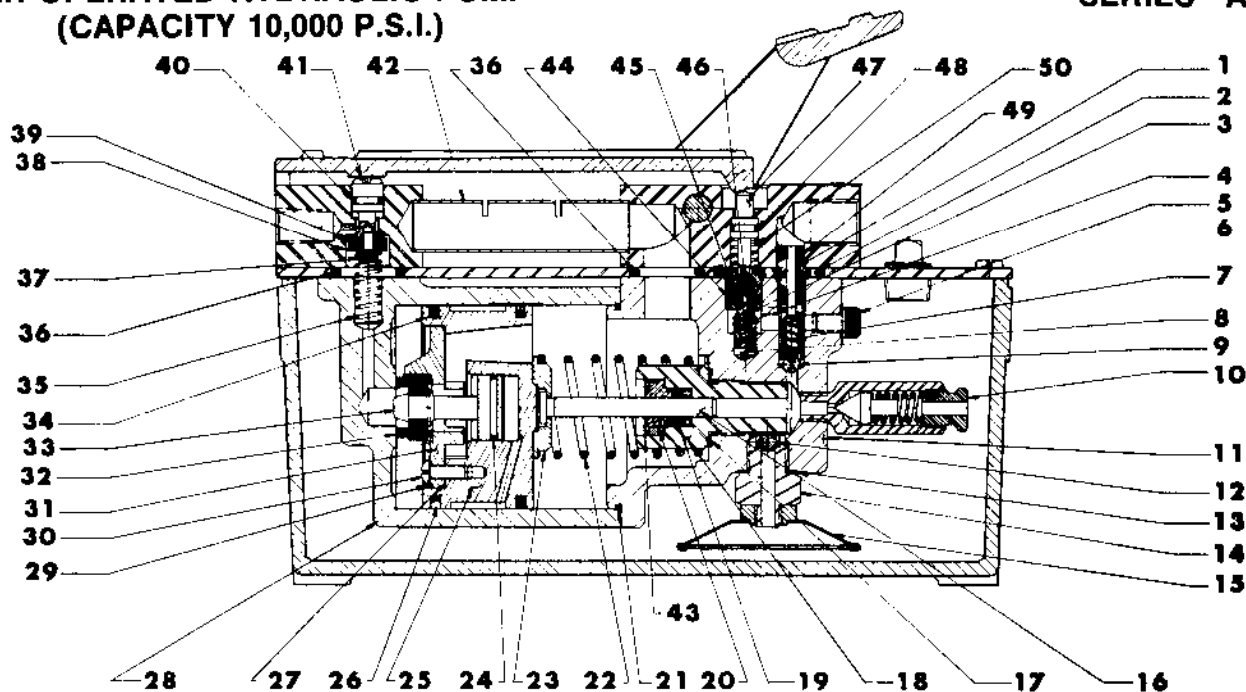
# SERVICE DIVISION

PANZITTA SALES & SERVICE  
 72 George Avenue  
 Wilkes-Barre, PA 18705  
 570-822-6720 800-822-6720  
 www.panzittasales.com

## Jack Parts Sheet MODEL 93103

SERIES "A"

### AIR-OPERATED HYDRAULIC PUMP (CAPACITY 10,000 P.S.I.)

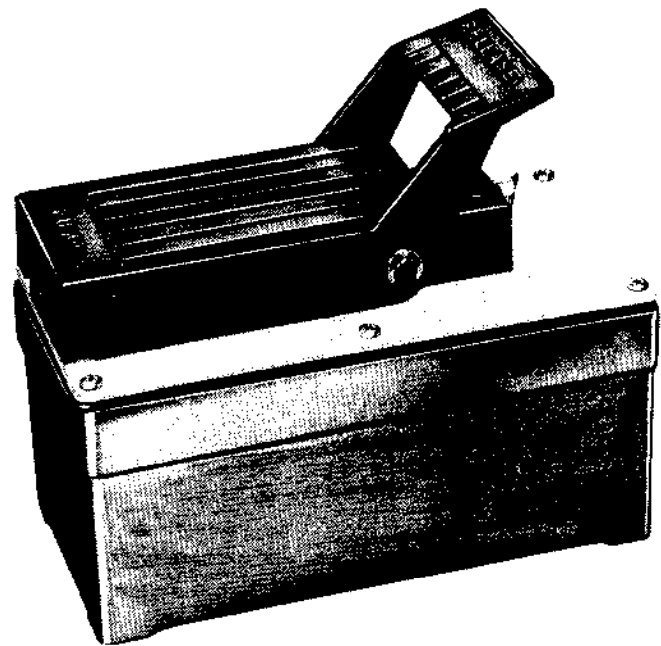
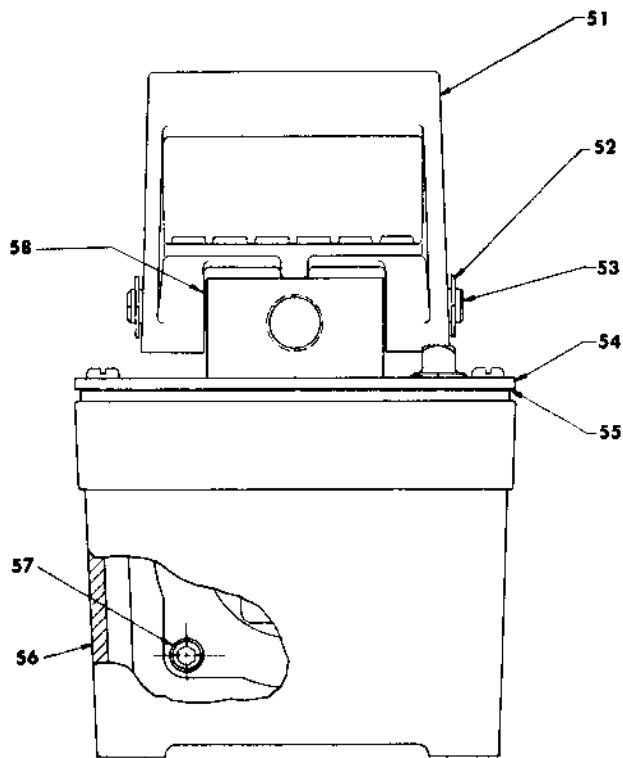


ORDER BY PART NUMBER, NOT BY CODE NUMBER

Item	Part No.	No. Req'd.	Description	Item	Part No.	No. Req'd.	Description
1	33852	1	Check Valve Body	26	14265	2	Piston Ring
2	10281	1	"O" Ring	27	28239	1	Gasket
3	28237	1	Release Valve Poppet	28	41302	1	Cylinder
4	10418	1	1/8" Steel Ball	29	11108	3	Lock Washer
5	10002	1	Soc. Hd. Cap Screw	30	10166	3	Mach. Screw
6	10442	1	Copper Washer	31	33822	1	Piston End Plate
7	10445	1	Comp. Spring	32	28183	1	Piston Poppet
8	13959	1	Comp. Spring	33	33845	1	Exhaust Valve Stem
9	10374	1	7/32" Steel Ball	34	12362	2	"O" Ring
10	21278	1	Relief Valve 10,000 P.S.I.	35	12691	1	Spring
11	50494	1	Pump Body	36	10276	2	"O" Ring
12	10375	1	1/4" Steel Ball	37	13936	1	Soc. Hd. Cap Screw
13	10261	1	Copper Washer	38	28198	1	Seal Guide
14	33848	1	Filter Adaptor	39	28182	1	Air Valve Poppet
15	27680	1	Filter	40	10267	1	"O" Ring
16	28226	1	Piston	41	33841	1	Actuator Button
17	10263	1	Copper Washer	42	28387	1	Muffer
18	33847	1	Cylinder	43	11034	1	Retaining Ring
19	13934	1	Packing "U" Cup	44	13943	1	"O" Ring
20	28224	1	Retainer	45	28236	1	Poppet Retainer
21	13935	1	"O" Ring	46	13937	1	Dowel Pin
22	13938	1	Comp. Spring	47	28227	1	Release Valve Button
23	28222	1	Spring Guide	48	10266	1	"O" Ring
24	10303	1	"O" Ring	49	12522	2	"O" Ring
25	33824	1	Piston Body	50	13944	1	Comp. Spring

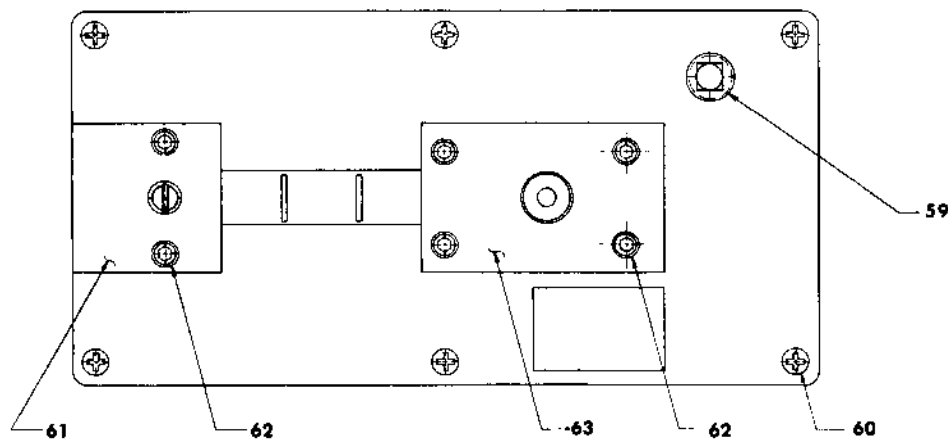
# MODEL 93103

SERIES "A"



Air-Operated Hydraulic Pump  
(Capacity 10,000 P.S.I.)

PANZITTA SALES & SERVICE  
72 George Avenue  
Wilkes-Barre, PA 18705  
570-822-6720 800-822-6720  
[www.panzittasales.com](http://www.panzittasales.com)



ORDER BY PART NUMBER, NOT BY CODE NUMBER

Item	Part No.	No. Req'd.	Description	Item	Part No.	No. Req'd.	Description
51	41322	1	Foot Pedal	57	10006	4	Soc. Hd. Cap Screw
52	11032	2	"E" Retaining Ring	58	12113	2	Wavy Washer
53	28386	1	Pin	59	28730	1	Filler Plug
54	41325	1	Cover Plate	60	14126	6	Thread Forming Screw
55	33853	1	Reservoir Gasket	61	33843	1	Intake Air Valve Body
56	41300	1	Reservoir	62	11151	6	Soc. Hd. Cap Screw
	-BL2			63	41323	1	Release Valve Body