

# ROTARY LIFT

WORLD LEADER IN LIFT SYSTEMS

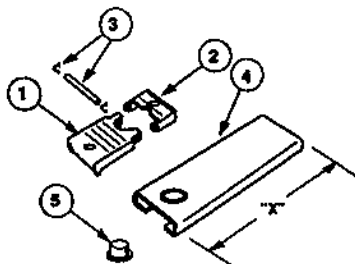


INDUSTRIES COMPANY

# MODEL DTO28H MK VI

## PARTS BREAKDOWN

Jack Serial Numbers 338207 And Above

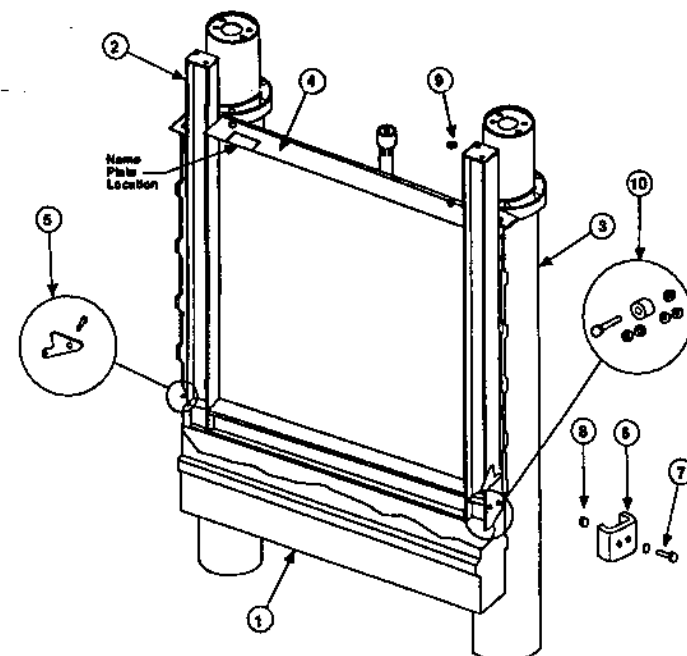
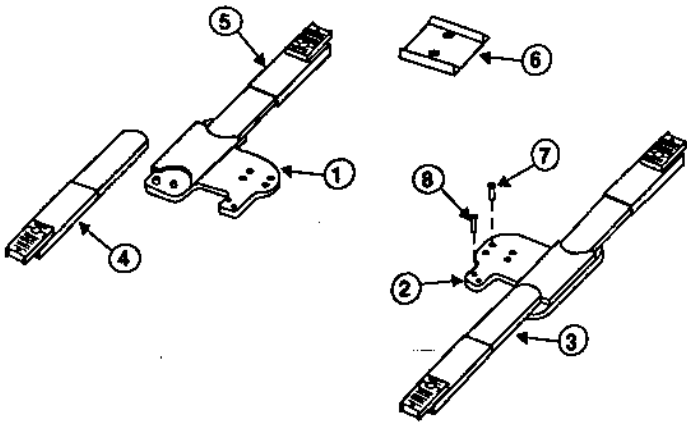


ADAPTER PARTS		
ITEM NO.	DESCRIPTION	PART NO.
1	Adapter High Step	FJ671-1
2	Adapter Low Step	FJ671-2
3	Adapter Pin W/Clips	FJ671-3
4	Adapter Base ("X" Dim 19")	FJ692-1
	Adapter Base ("X" Dim 24")	FJ693-1
5	Swivel Pin	FJ671-5

SUPERSTRUCTURE PARTS		
ITEM NO.	DESCRIPTION	PART NO.
1	Left Hand Yoke	FJ2231
2	Right Hand Yoke	FJ2232
3	Arm	FJ2199
4	Adapter (Rear)	FJ693
5	Adapter (Front)	FJ692
6	Wheel Spotting Dish	FF729
7	3/4"-10NC x 2 1/2" HHCS	8 Req'd
8	12"-13NC x 2 1/2" HHCS w/nut and lock washer	4 Req'd

IN-GROUND PARTS		
ITEM NO.	DESCRIPTION	PART NO.
1	Equalizer Housing	FJ38
2	Equalizer Frame	FJ37
3	Jack Assembly	JG188
4	Center Cover	FJ38-11
5	Replacement Latch Kit ( Includes 2 Latches )	FA279*
6	Slider Block	FJ321-5***
7	5/16"-18NC x 1" Lg. HHCS, & 5/16" Plain Washer	4 Req'd
8	5/16"-18NC Hex Nut	4 Req'd
9	1/4"-20NC Hex Nut	2 Req'd
10	Roller Assembly	FJ37-40**

\* NOTE: For Installation Details See Index 12.3.  
 \*\* NOTE: Roller Bearings Supplied On Equalizers Shipped Before \_\_\_ 88.  
 \*\*\* NOTE: Slider Blocks Supplied On Equalizers Shipped After \_\_\_ 88.



**IMPORTANT:** When ordering parts or requesting service, always give exact model and jack serial number. Model number is shown on nameplate attached to superstructure. Jack serial number is located on side of plunger at point of attachment to superstructure.

### OWNERS RECORD

Complete Information at right and keep in a safe place.

Date Installed \_\_\_\_\_  
 Installed In Bay # \_\_\_\_\_  
 Serial # \_\_\_\_\_ JG188  
 Serial # \_\_\_\_\_ JG188  
 Factory Order #  L

