

ROTARY LIFT

WORLD LEADER IN LIFT SYSTEMS

A **DOVER** INDUSTRIES COMPANY

MODEL AT70 H&E PARTS BREAKDOWN

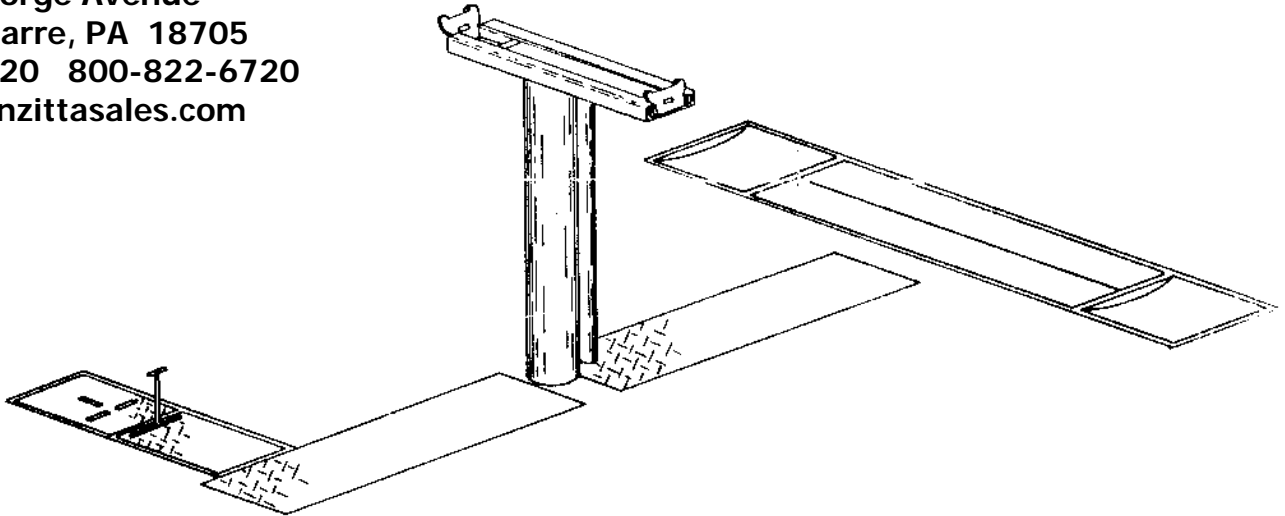
PANZITTA SALES & SERVICE

72 George Avenue

Wilkes-Barre, PA 18705

570-822-6720 800-822-6720

www.panzittasales.com



Identified by the 8¼" internal bolt circle, with a fixed type non-adjustable seal and gland assembly. Manufacture of Series JK1142 began in 1972.

Identified by the 8¼" internal bolt circle, with a fixed type non-adjustable seal and gland assembly. Manufacture of Series JK1160 began in 1975.

IMPORTANT: When ordering parts or requesting service, always give exact model and jack serial number. Model number is shown on nameplate attached to cover-plate. Jack serial number is located on side of plunger at point of attachment to superstructure.

OWNER'S RECORD

Complete information at right and keep in a safe place.

Date Installed ____ / ____ / ____

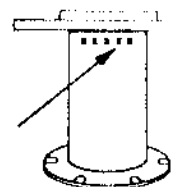
Installed in Bay # _____

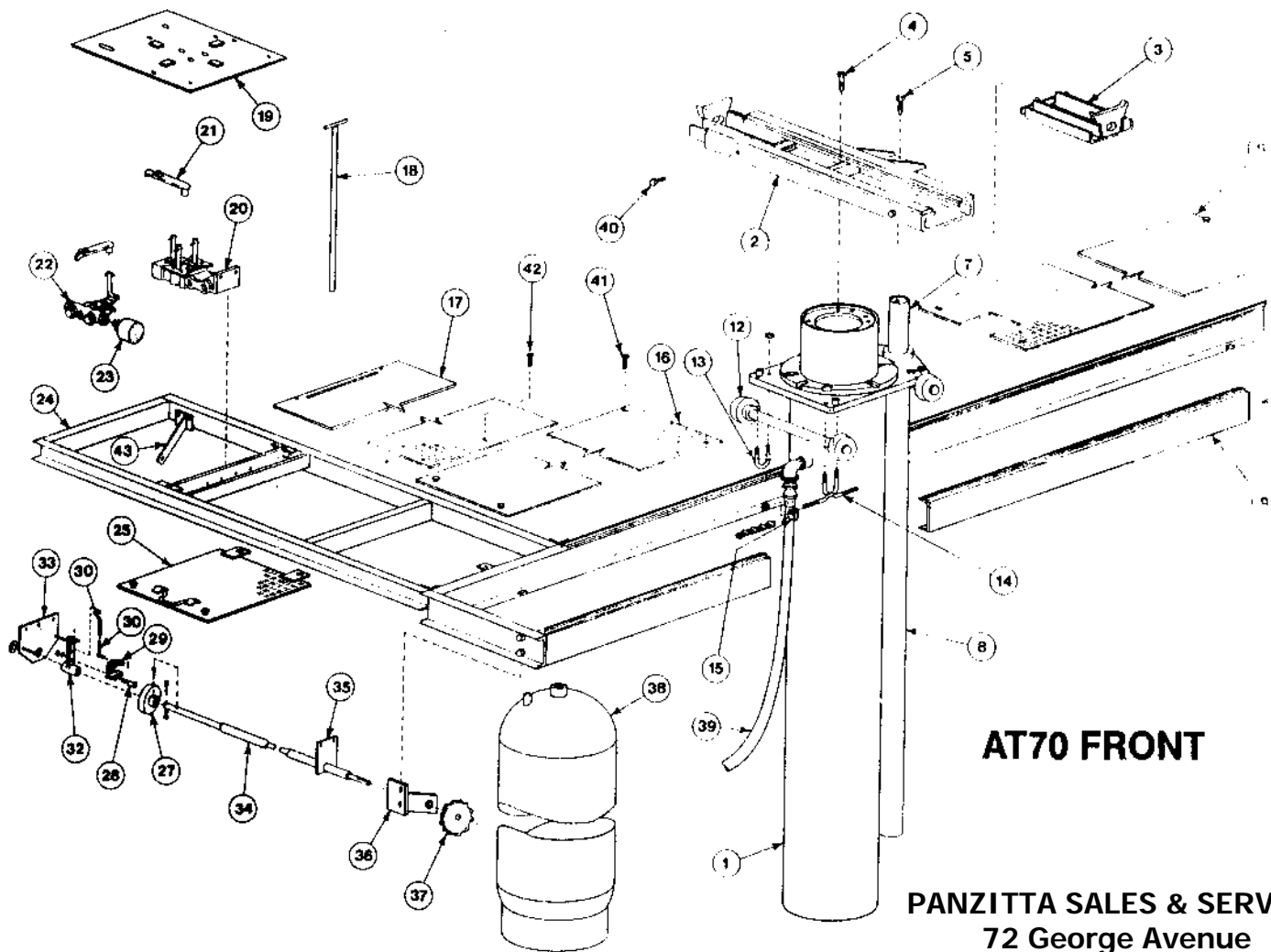
Serial # _____ JK1142

_____ JK1160

Factory Order # **L** _____

Jack Serial No.
Stamped on
Plunger





AT70 FRONT

PANZITTA SALES & SERVICE
 72 George Avenue
 Wilkes-Barre, PA 18705
 570-822-6720 800-822-6720
 www.panzittasales.com

AT70 Front Jack Components					
Manufacture of AT70 began in October 1985					
ITEM	DESCRIPTION	PART NO.	ITEM	DESCRIPTION	PART NO.
1	Front Jack Assembly	JK1162	22	Air Control Valve (Air Oil Only)	FA378
2	Front Superstructure	FD282	23	Arrow Bronze Muffler (Air Oil Only)	FD622
3	Front Sliding Adapter	FD268	24	Control Box Frame	FD6178
4	1/2"-8NC x 1 3/4" HHCS	(4) Req'd.	**25	Carry Around Cover Plate	FD746
5	3/4"-10NC x 3 1/4" HHCS	(1) Req'd.	26	Ratchet Assembly (Not Shown)	FD746-2
**6	Rear Cover Plate	FD643	27	Ratchet Wheel	FD70-10
*7	Front Locking Leg	FA267	28	Ratchet Dog Pin	DF70-9
8	Front Outer Pipe	FA290	29	Ratchet Dog	FD70-8
**9	Front Track Assembly	FD80	30	Ratchet Spring	FD70-7
**10	Ratchet Chain (Per Foot)	FD73	31	Ratchet Spring Guide Pin	FD70-6
11	Rear Sprocket Assembly	FD72	32	Ratchet Dog Lever	FD70-4
12	Carriage Axle Assembly	FD79	33	Ratchet Hanger Plate	FD746-4
13	Axle U-Bolt, LW & Nut	FD70-23	34	Ratchet Shaft	FD746-2
14	Chain Adjustment U-Bolt	FD70-22	35	Ratchet Shaft Guide	FD746-3
15	Chain Fastener	FD70-17	36	Front Sprocket Hanger	FD746-1
16	Front Cover Plate	FD644	37	Ratchet Shaft Sprocket	FD70-11
17	Intermediate Cover Plate	FD6178-2	38	Air Oil Tank (AT70H)	FA126
18	Ratchet & Adapter Lever	FD70-19	39	Front Jack Hoses	FD93
19	Control Box Cover Plate Air-Oil	FD6169	40	Slop Bolt	FD242-3
	Control Box Cover Plate Elec-Oil	FD6170	41	1/2"-13NC x 3/4" HHCS & LW	(4) Req'd.
20	Oil Control Valve Air-Oil	FA349	42	3/4"-18NC x 3/4" HHCS & LW	(4) Req'd.
	Oil Control Valve Elec-Oil	FA350	43	Air Valve Support Bracket	FD6179
21	Control Valve Handle	FF512			

*If unit is equipped with multi-position locking leg see index sheet 12.5.

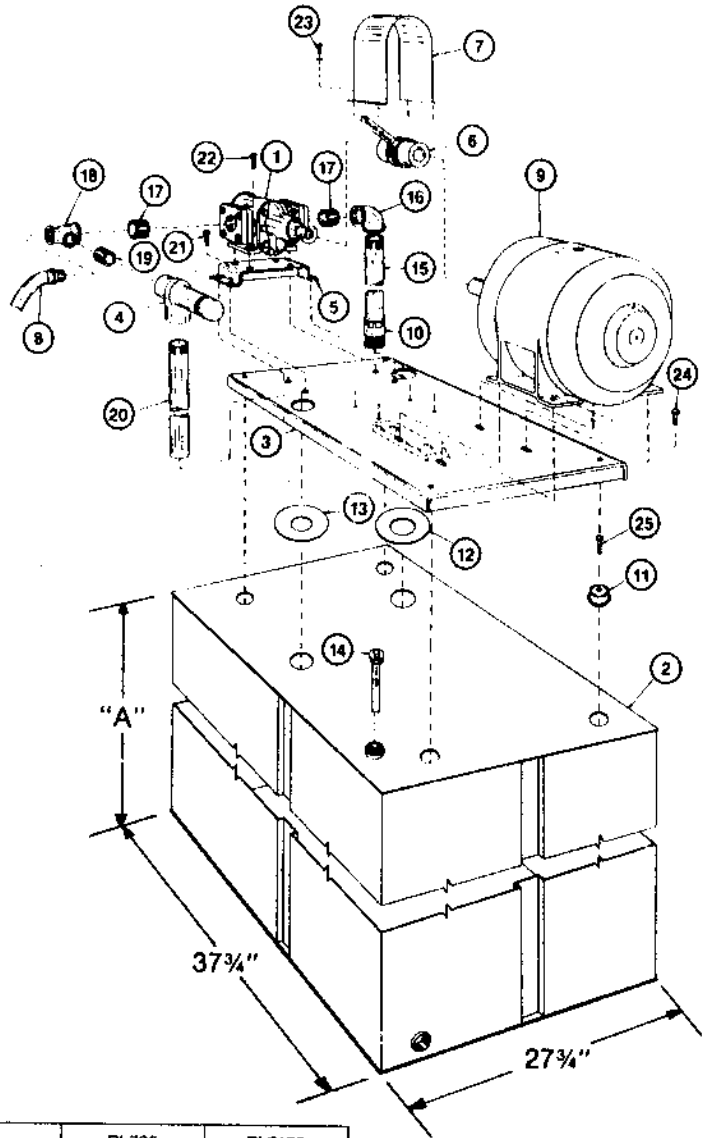
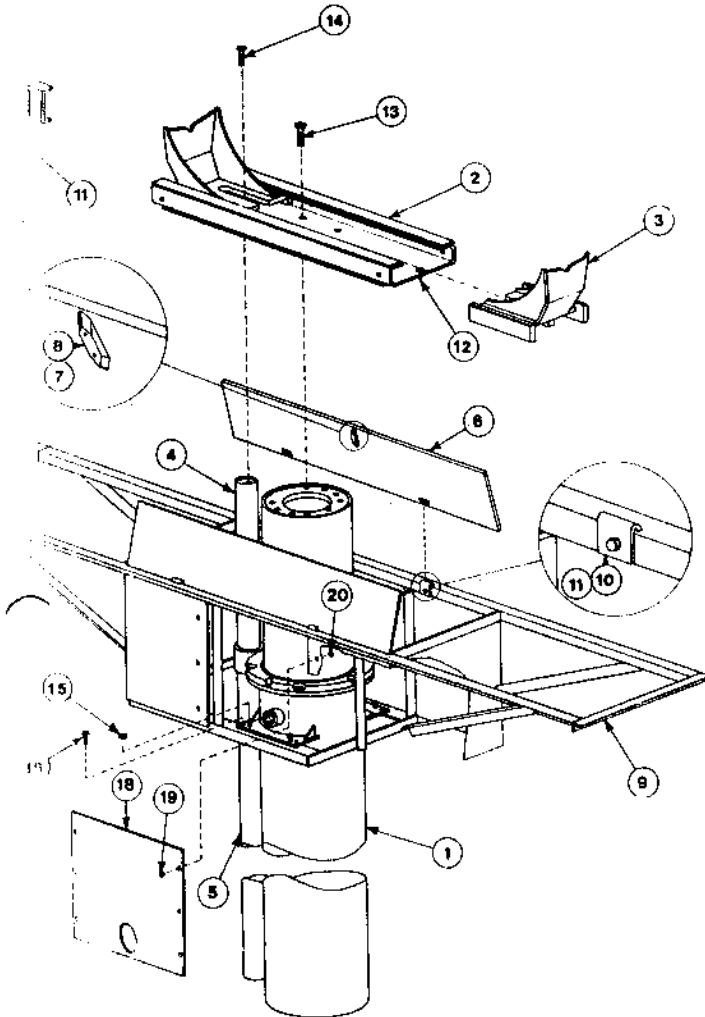
**These items supplied with standard 12'-0" Pit Frame. Part numbers vary with extension. Consult Factory for Part Numbers.

†If unit is equipped with hydraulic drive see index sheet 16.1.

PANZITTA SALES & SERVICE
 72 George Avenue
 Wilkes-Barre, PA 18705
 570-822-6720 800-822-6720
 www.panzittasales.com

AT70E POWER UNIT Parts

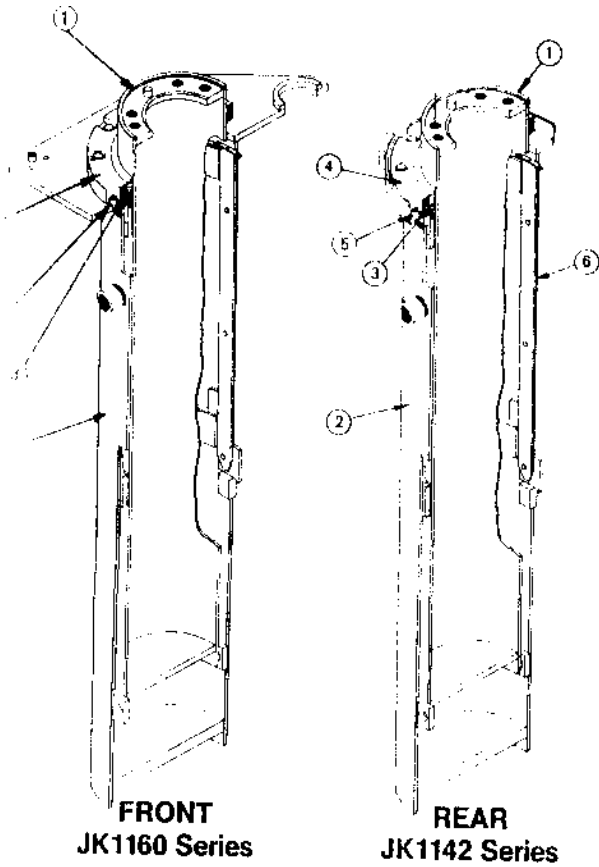
AT70 REAR



Dim	PL795	PL7170
A	25"	43 1/2"

AT70 Rear Jack Components	
DESCRIPTION	PART NO.
Rear Jack Assembly	JK1142
Rear Superstructure	FD255
Rear Axle Support	FD244
Rear Locking Leg	FA265
Rear Outer Pipe	FA2160
Housing Door	FD625-4
Door Rub Bar	FF634-9
#8-32NC Pan Hd. Tapping Screw	(4) Req'd.
Rear Superstructure Housing	FD6160
Door Retainer	FF634-7
3/8"-16NC x 1/4" HHCS	(4) Req'd.
3/8"-16NC x 1" HHCS	(2) Req'd.
1/2"-9NC x 2" HHCS	(4) Req'd.
1/2"-10NC x 3 1/2" HHCS	
1/2" Nut & LW	(4) Req'd.
1 1/2"-16NC x 3/4" HHCS & LW	(4) Req'd.
Door Support	
Oil Inlet Cover	FD6161
1/2"-20NC RHMS x 1/2" Lg.	
1/2" Hex Nut	

Parts Breakdown			
ITEM	DESCRIPTION		PART NO.
1	Pump		1AM27
2	Tank—95 Gal. Cap.		P413
	Tank—170 Gal. Cap.		P414
3	7 1/2 H.P. Motor		
4	Floating Base		
5	Relief Valve		VJ-6
6	Pump Base		P409-7
7	7 1/2 H.P. Motor		
	Flexible Coupling		F436
8	Coupling Guard		P409-8
9	Hose		P440
	7 1/2 H.P. Motor (213T Frame) Motor		RM75
10	Foot Valve		
11	Mounting Bushing		200XPRN60
12	Suction Pipe Guard Washer		P409-5
13	Relief Pipe Guard Washer		P409-6
14	Fill Plug & Gauge Assembly		P141-29
15	Suction Pipe		
16	2" x 1 1/2" 90° Elbow		
17	2" x 3" Lg. Nipple		
18	2" x 1 1/2" x 1 1/4" Pipe Tee		
19	1 1/4" Close Nipple		
20	95 Gal. Tank	Relief Return Pipe	
	175 Gal. Tank		
21	1/2" x 1 1/4" Lg. Hex. Cap Screw, LW & Nut		
22	1/2" x 1 1/2" Lg. Hex Cap Screw, LW & Nut		
23	3/8" x 1/2" Hex Cap Screw, CW & LW		
24	5 H.P. Motor 3/8" x 1 1/4" Machine Bolts, Nut & Washer		
	7 1/2 H.P. Motor 1/2" x 1 1/4" Machine Bolts, Nut & Washer		
25	3/8" x 2 1/4" Machine Bolts, Nut & Washer		

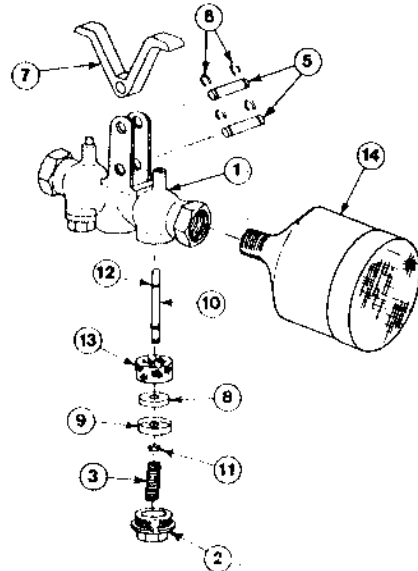


FRONT
JK1160 Series

REAR
JK1142 Series

Jack Component Parts

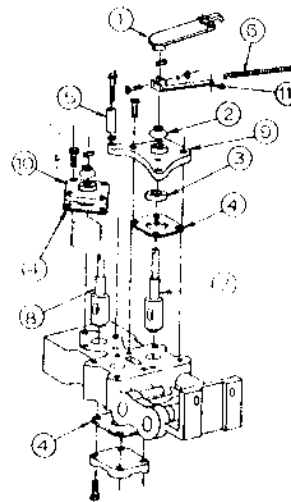
ITEM	DESCRIPTION	JACK PART NUMBER BY SERIES	
		JK1142	JK1160
1	Plunger	JK478	JK479
2	Outer Casing	JK792	JK7109
3	Seal	JK227	JK227
4	Gland	JK622	JK622
5	Bleeder Plug	JX207	JX207
6	Bayonet	JK789-2	JK789-2



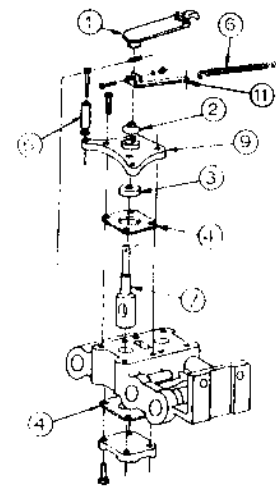
FA378 Locking Air Valve

ITEM	PART NO.	DESCRIPTION
1	FA376-1	Body
2	FA376-2	Cap
3	FA376-3	Spring
4	FA378-1	*Cam & Stem Assembly (Not Shown)
5	FA376-5	Pin
6	FA376-6	Snap Ring
7	FA376-7	Rocker Arm
8	FA376-8	Disc
9	FA376-9	Disc Cage
10	FA376-10	Stem
11	FA376-11	Stem Nut
12	FA376-12	"O" Ring
13	FA376-13	Screen
14	FA515	Muffer
Not Shown	FA376-15	Stem Assembly, Pcs 8, 9, 10, 11 & 12

FA350 Electric-Oil Operation



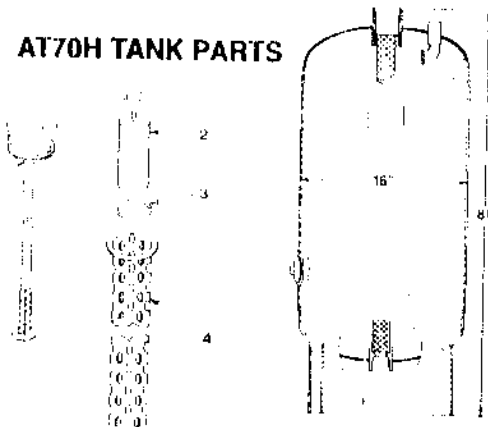
FA349 Air-Oil Operation



Unit Control Valve Assembly

ITEM	DESCRIPTION	PART NO.
1	Handle	FF512
2	Gland Packing Protector	FA349-2
3	Stem Seal	FA349-3
4	Control Valve Gasket	FA349-4
5	Spring Arm Rubber Bumper	FA349-5
6	Deadman Spring	FA349-6
7	Valve Core	FA349-7
8	Directional Core	FA350-3
9	Gland	FA349-13
10	Gland	FA350-13
11	Spring Arm	FA349-9

AT70H TANK PARTS



Tank Replacement Parts

ITEM NO.	DESCRIPTION	PART NO.
1	Oil Plug Gauge	FA125-1
2	Low Oil Control Kit	FA123-B
3	Lock Ring	
4	Float Guide	FA125-6

PANZITTA SALES & SERVICE

72 George Avenue

Wilkes-Barre, PA 18705

570-822-6720 800-822-6720

www.panzittasales.com

AT70 H&E.max