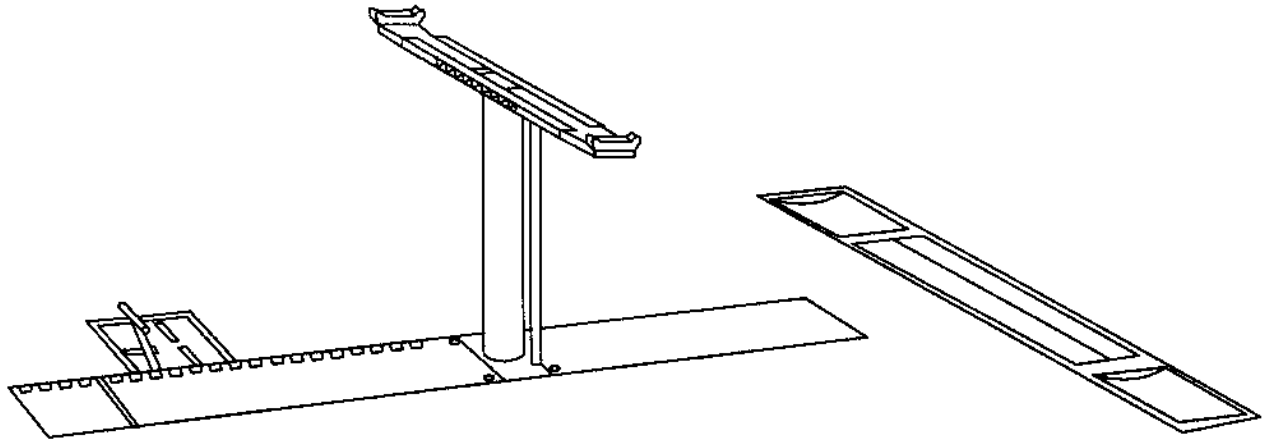


# ROTARY LIFT

WORLD LEADER IN LIFT SYSTEMS  
A **DOVER** INDUSTRIES COMPANY

# MODEL AP 50 H & E PARTS BREAKDOWN

PANZITTA SALES & SERVICE  
72 George Avenue  
Wilkes-Barre, PA 18705  
570-822-6720 800-822-6720  
www.panzittasales.com



**IMPORTANT:** When ordering parts or requesting service, always give exact model and Jack serial number. Model number is shown on nameplate attached to superstructure. Jack serial number is located on side of plunger at point of attachment to superstructure.

## OWNERS RECORD

Complete information at right and keep in a safe place.

Date installed \_\_\_\_\_

installed in Bay # \_\_\_\_\_

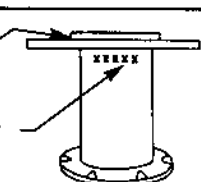
Serial # \_\_\_\_\_ JG176

\_\_\_\_\_ JG168

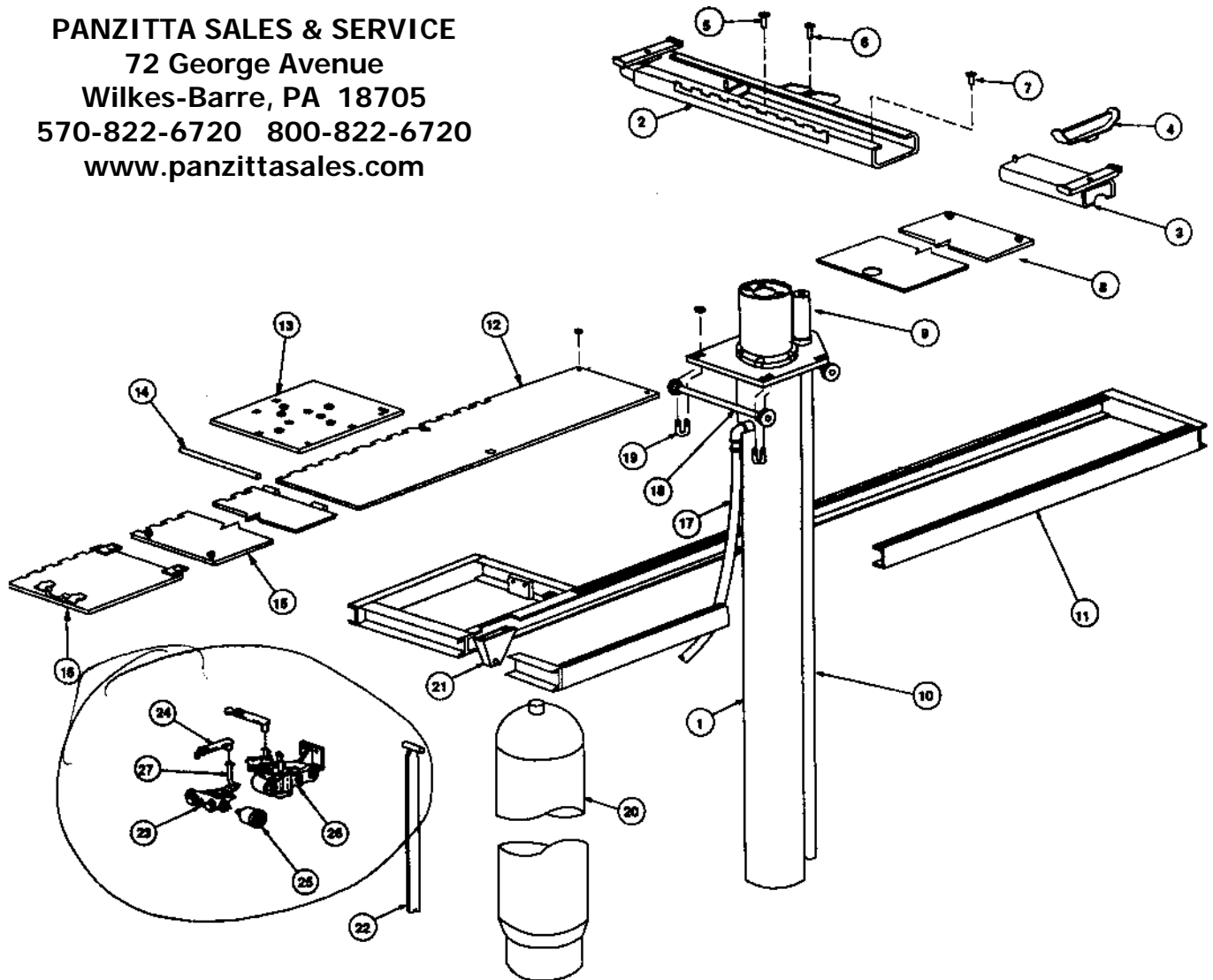
Factory Order # L \_\_\_\_\_

Lift Model No. Stamped on Superstructure Nameplate

Jack Serial No. Stamped on Plunger



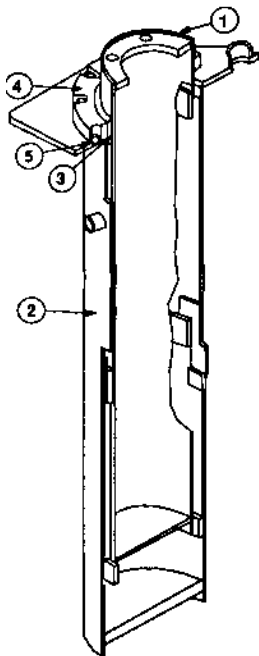
**PANZITTA SALES & SERVICE**  
 72 George Avenue  
 Wilkes-Barre, PA 18705  
 570-822-6720 800-822-6720  
 www.panzittasales.com



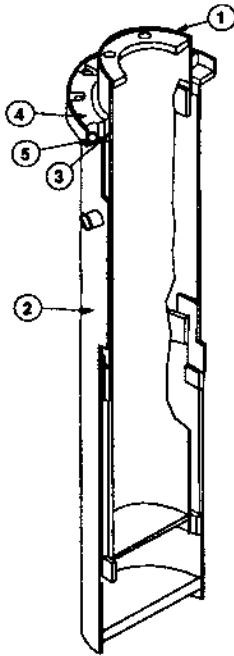
**AC60 Front Jack Components**

ITEM NO.	DESCRIPTION	PART NO.	ITEM NO.	DESCRIPTION	PART NO.
1	Front Jack Assembly	JG176	15	Hinged Cover Plate	FF619-3
2	Front Superstructure	FF241	*16	Carry Around Cover Plate	Varias w / wb
3	Front Sliding Adapter	FF242	*17	Front Jack Hose	FF55
4	Front Swivel Adapter	FD246	18	Carriage Axle Assembly	FF43
5	3/4"-10NC x 1 3/4" HHCS	4 Req'd	19	Axle U-Bolt, LW & Nut	FF40-11
6	3/4"-10NC x 3 1/2" HHCS	1 Req'd	20	Air Oil Tank	FA127
7	3/8"-16NC x 1/2" HHCS	2 Req'd	21	Shifting Lever Socket	FF621
*8	Rear Cover Plate	FF672	22	Adapter & Shifting Lever	FF620
9	Front Locking Leg	FA2107	23	Air Control Valve	FA378
10	Front Outer Pipe	FA2162	24	Control Valve Handle	FF512
*11	Front Track Assembly	FF690	25	Muffler	FA515
12	Front Cover Plate	FF673	26	Oil Control Valve	FA349
13	Control Box Cover Plate	FF637-7	27	Cam & Stem Assembly	FA378-1
14	Hinge Rod	FF619-4			

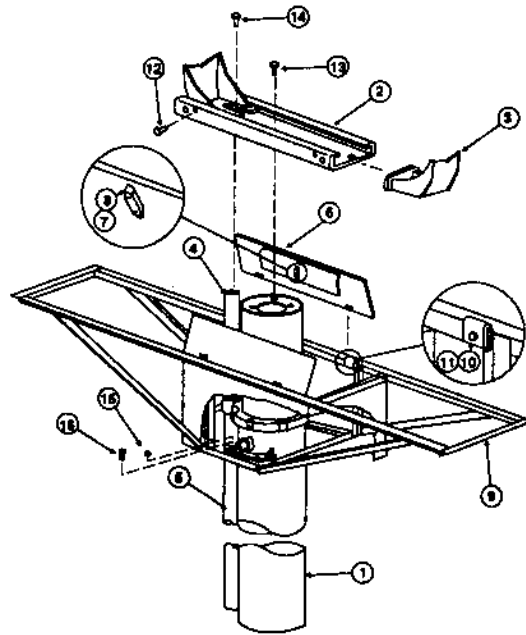
JACK COMPONENT PARTS			
ITEM NO.	DESCRIPTION	JG176	JG168
1	Plunger	JG437	JG436
2	Outer Casing	JG759	JG748
3	Seal	JG220	JG220
4	Gland	JG620	JG620
5	Bleeder Plug	JX207	JX207



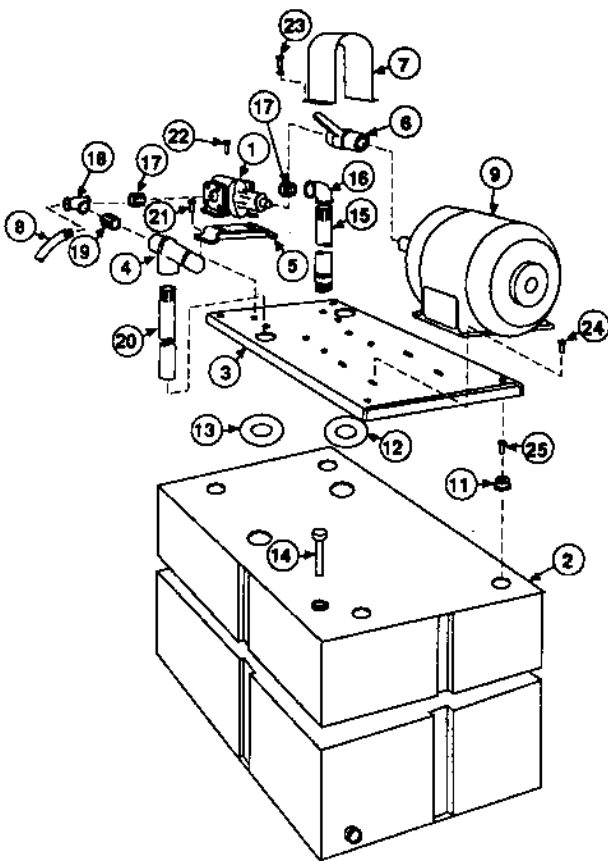
AP50 Front  
JG176 Series  
MANUFACTURE BEGAN  
IN 1981



AP50 Rear  
JG168 Series  
MANUFACTURE BEGAN  
IN 1974

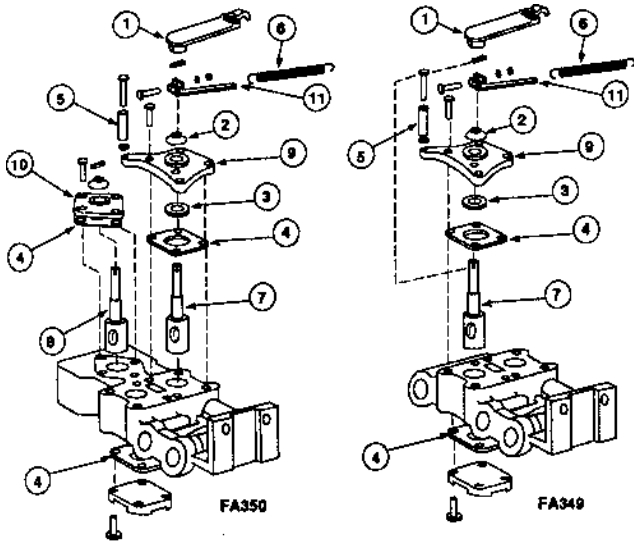


AP50 REAR JACK COMPONENTS		
ITEM NO.	DESCRIPTION	PART NO.
1	Rear Jack Assembly	JG168
2	Rear Superstructure	FF234
3	Rear Axle Support	FF202-2
4	Rear Locking Leg	FA2143
5	Rear Outer Pipe	FA2158
6	Housing Door	FF634-4
7	Door Rub Bar	FF634-9
8	#8 - 32NC Pan Hd. Tapping Screw	4 Req'd
9	Rear Superstructure Housing	FF649
10	Door Retainer	FF634-7
11	3/8" - 16NC x 5/8" HHCS	4 Req'd
12	3/8" - 16NC x 1/2" HHCS	2 Req'd
13	7/8" x 2" HHCS & LW	4 Req'd
14	3/4" - 16NC x 3 1/2" HHCS	1 Req'd
15	1/2" Nut & LW	4 Req'd
16	3/8" - 16NC x 5/8" HHCS & LW	4 Req'd



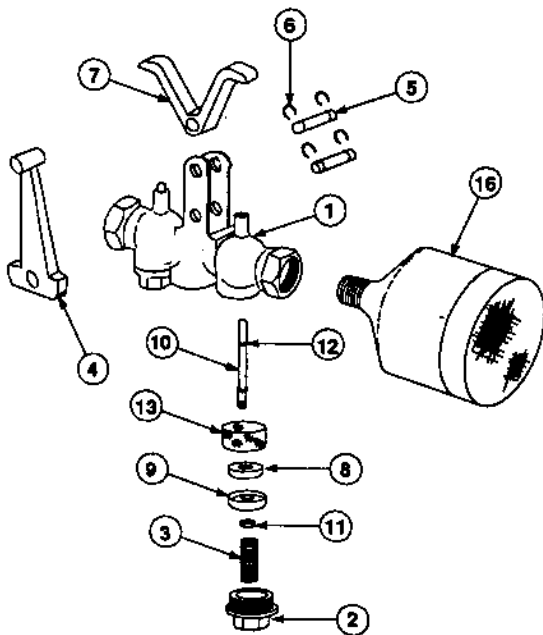
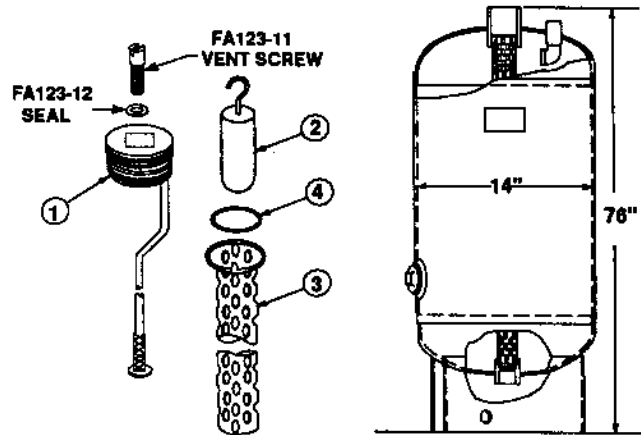
REPLACEMENT PARTS			
ITEM NO.	DESCRIPTION	PART NO.	
1	Pump	1AM27	
2	Tank-95 Gal. Cap.	P413	
	Tank-170 Gal. Cap.	P414	
3	Floating Base	7 1/2 H.P. Motor	P409-2-1
4	Relief Valve	P409-8	
5	Pump Base	P409-7	
6	Flexible Coupling	7 1/2 H.P. Motor	P436
7	Coupling Guard	P409-8	
8	Hose	P440	
9	Motor	7 1/2 H.P. Motor	RM75
10	Foot Valve	O.P.W. #95	
11	Mounting Bushing	200X PRN60	
12	Suction Pipe Guard Washer	P409-5	
13	Relief Pipe Guard Washer	P409-6	
14	Fill Plug & Gauge Assembly	P431	
15	95 Gal. Tank	Suction Pipe	P413-5-1
	175 Gal. Tank	Relief Return Pipe	P414-5-1
16	2" x 1 1/2" 90° Elbow	1 Req'd	
17	2" x 3" Lg. Nipple	2 Req'd	
18	2 x 1 1/2" x 1 1/4" Pipe Tee	1 Req'd	
19	1 1/4" Close Nipple	1 Req'd	
20	95 Gal. Tank	Relief Return Pipe	P413-5-4
	175 Gal. Tank	Relief Return Pipe	P414
21	1/2" x 1 1/4" Lg. HHCS, LW & Nut	4 Req'd	
22	1/2" x 1 1/2" Lg. HHCS, LW & Nut	4 Req'd	
23	3/8" x 1/2" HHCS, CW & LW	2 Req'd	
24	5 H.P. Motor-3/8" x 1 1/2" Machine Bolts, Nut & Washer	4 Req'd	
	7 1/2 H.P. Motor-1/2" x 1 1/2" Machine Bolts, Nut & Washer	4 Req'd	
25	3/8" x 2 3/4" Machine Bolts, Nut & Washer	4 Req'd	

PANZITTA SALES & SERVICE  
 72 George Avenue  
 Wilkes-Barre, PA 18705  
 570-822-6720 800-822-6720  
 www.panzittasales.com



UNIT CONTROL VALVE PARTS		
ITEM NO.	DESCRIPTION	PART NO.
1	Handle	FF512
2	Gland Packing Protector	FA349-2
3	Stem Seal	FA349-3
4	Control Valve Gasket	FA349-4
5	Spring Arm Rubber Bumper	FA349-5
6	Deadman Spring	FA349-6
7	Valve Core	FA349-7
8	Directional Core	FA350-3
9	Gland	FA349-8
10	Gland	FA350-13
11	Spring Arm	FA349-9

FA127 TANK PARTS		
ITEM NO.	DESCRIPTION	PART NO.
1	PLUG / GAUGE	FA123-15
2	LOW OIL CONTROL KIT	FA123-8
3	FLOAT GUIDE	FA127-6
4	LOCK RING	Installed at Factory



FA377 LOCKING AIR VALVE		
ITEM NO.	DESCRIPTION	PART NO.
1	Body	FA376-1
2	Cap	FA376-2
3	Spring	FA376-3
4	Locking Lever	FA377-1
5	Pin	FA376-5
6	Snap Ring	FA376-6
7	Rocker Arm	FA376-7
8	Disc	FA376-8
9	Disc Cage	FA376-9
10	Stem	FA376-10
11	Stem Nut	FA376-11
12	O Ring	FA376-12
13	Screen	FA376-13
15	Stem Assy. Pc.'s 8, 9, 10, 11 & 12	FA376-15
16	Muffler	FA515