

ROTARY LIFT

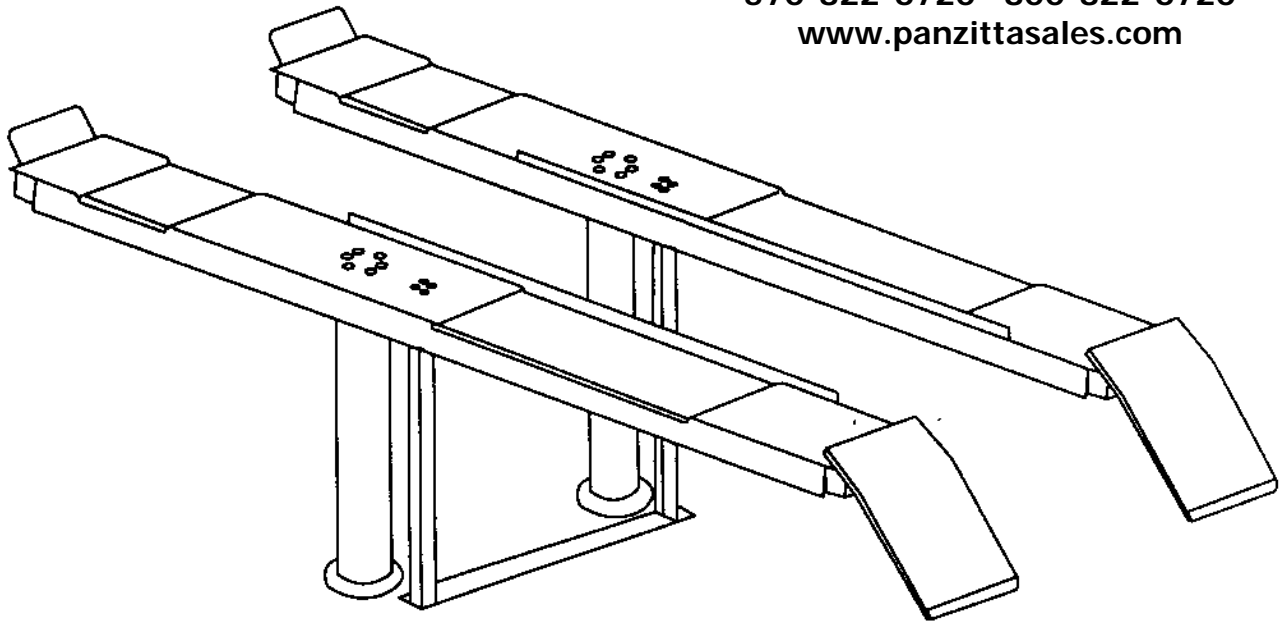
A **DOVER** INDUSTRIES COMPANY

MODEL 28HR

PARTS BREAKDOWN

Jack Serial Numbers 338707 & Above

PANZITTA SALES & SERVICE
 72 George Avenue
 Wilkes-Barre, PA 18705
 570-822-6720 800-822-6720
 www.panzittasales.com



NOTES:

1. Equalizer frame roller assemblies were replaced with slider blocks on 2-16-88.
2. Original lift design required JG166 babbit bearing jacks. On September 2, 1988 beginning with jack serial number 338707, factory order number L58987, the jack design was changed to a replaceable plastic bearing style.

IMPORTANT: When ordering parts or requesting service, always give exact model and jack serial number. Model number is shown on nameplate attached to superstructure. Jack serial number is located on side of plunger at point of attachment to superstructure.

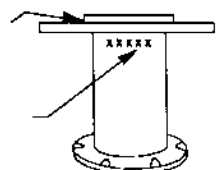
OWNERS RECORD

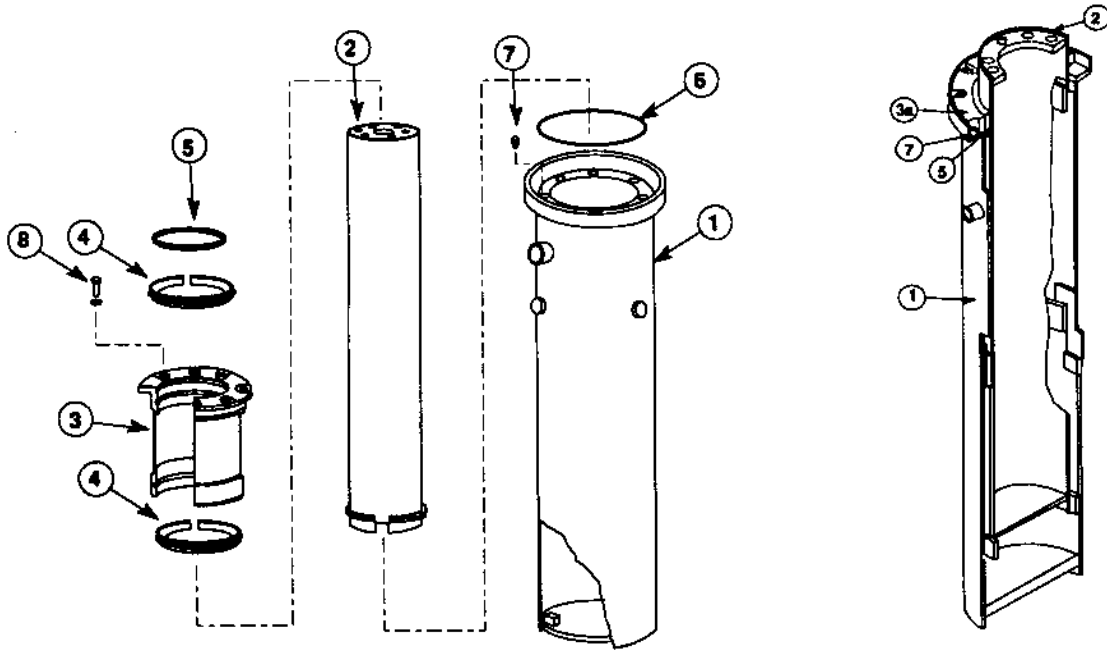
Complete Information
 at right and keep in
 a safe place.

Date Installed _____
 Installed In Bay # _____
 Serial # _____ JG189
 Serial # _____ JG189
 Factory Order # **L**

Lift Model No.
 Stamped On
 Superstructure
 Nameplate

Jack Serial No.
 Stamped On
 Plunger.



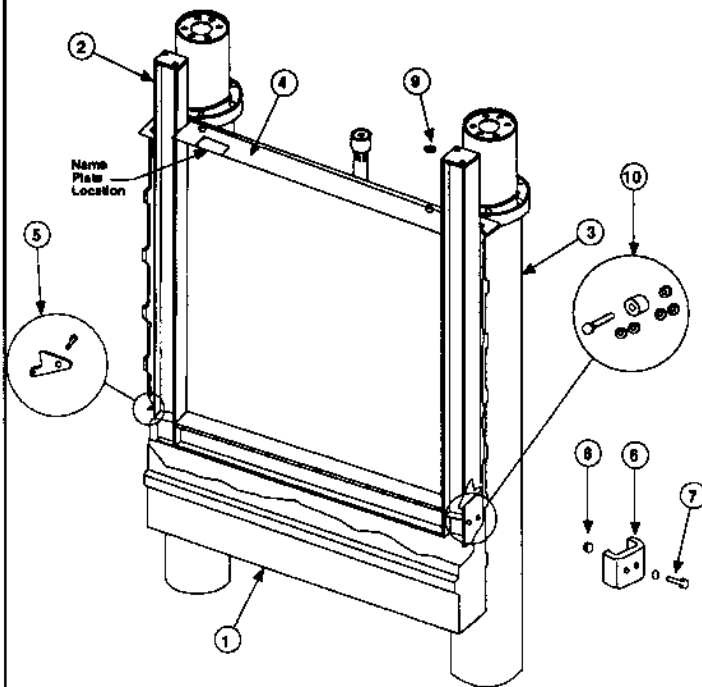


**JG189
(Plastic Bearing)**

**JG166
(Babbit Bearing)**

JACK PARTS			
ITEM NO.	DESCRIPTION	JG189 PART NO.**	JG166 PART NO.**
1	Casing Assembly	JG767	JG746
2	Plunger Assembly	JG446	JG438
3	Guide Assembly	JG513	N/A
3a	Packing Gland	N/A	JG620
4	Jack Bearing	JG766-6	N/A
5	Seal	JG227	JG220
6	"O" Ring	JG37	N/A
7	Bleeder Screw	JX207	JX207
8	1/2"-13NC HHCS GD 8 x 1 1/4" Lg. & Ext Tooth LW	8 Req'd	6 Req'd

** See Note 2 On Front Page



ITEM NO.	DESCRIPTION	PART NO.
1	Equalizer Housing	FJ38
2	Equalizer Frame	FJ314
3	Jack Assembly**	JG189
4	Center Cover	FJ38-24
5	Replacement Latch Kit (Includes 2 Latches)	FA279
6	Slider Block*	FJ321-5
7	5/16"-18NC x 1" Lg. HHCS, & 5/16" Plain Washer	4 Req'd
8	5/16"-18NC Hex Nut	4 Req'd
9	1/4"-20NC Hex Nut	2 Req'd
10	Roller Assembly	FJ37-40

* See Note 1 On Front Page

** See Note 2 On Front Page

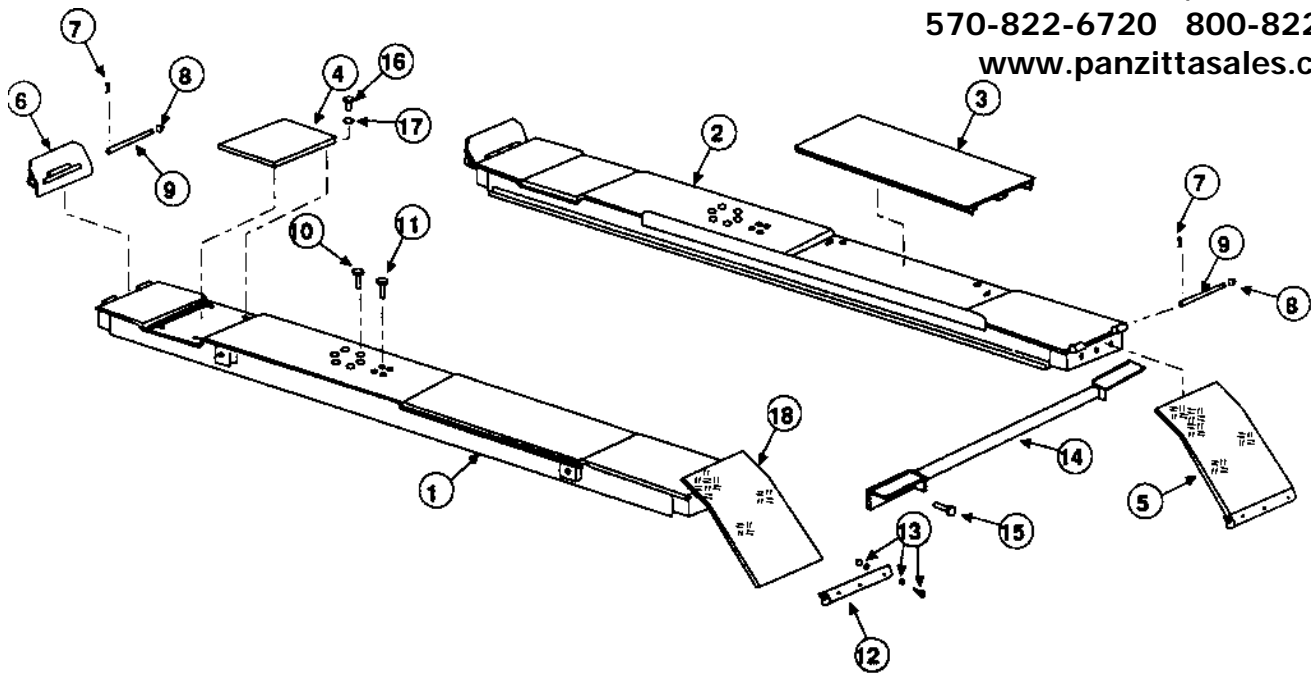
PANZITTA SALES & SERVICE

72 George Avenue

Wilkes-Barre, PA 18705

570-822-6720 800-822-6720

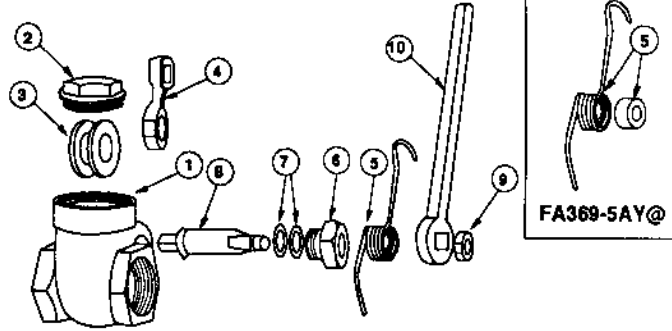
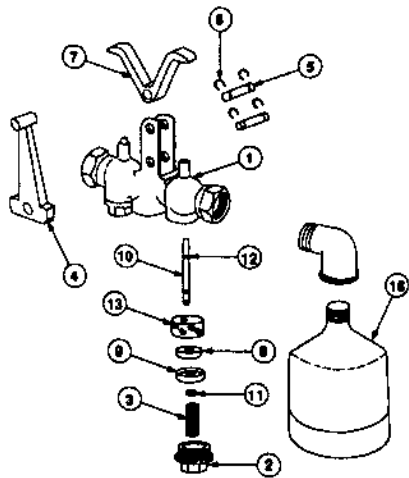
www.panzittasales.com



RUNWAY PARTS		
ITEM NO.	DESCRIPTION	PART NO.
1	L.H. Runway	FC135
2	R.H. Runway	FC134
3	Rear Filler Plate	FC5103-1
4	Front Filler Plate	FC5102-1
5	Ramp Chock	FC134-12
6	Wheel Stop	FC134-13
7	5/32" x 1" Cotter Pin	4 Req'd
8	5/8" Push Nut TRW #PZ002015 or Equal	4 Req'd
9	Hinge Pin	FC134-13-4
10	7/8" - 9NC x 6" Lg. SOCHDCS	12 Req'd
11	1/2" - 13NC x 6" Lg. HHCS	4 Req'd
12	Ramp Chock Slide	FC134-33
13	#10 PNHDMS 5" x 3/4" Lg., Plain Washer, and #10-24 Hex Nut	6 Screws & Nuts Req'd 12 Pl. Washers Req'd
14	Spacer Bar	FC134-15
15	1/2" x 1 3/4" Lg. HHCS	4 REQ'D
16	1/4"-20NC HHCS X 3/4" Lg.	8 Req'd
17	1/4" External Tooth Lockwasher	8 Req'd
18	Ramp Chock	FC134-65

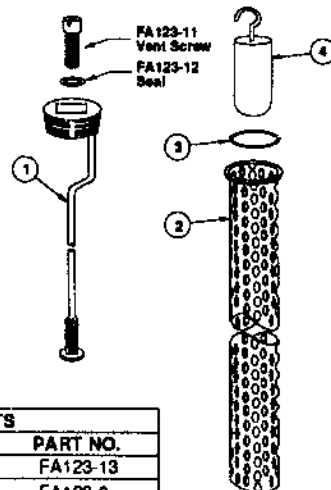
FA377 LOCKING AIR VALVE		
ITEM NO.	DESCRIPTION	PART NO.
1	Body@	N/A
2	Cap	FA376-2
3	Spring	FA376-3
4	Locking Lever	FA377-1
5	Pin	FA376-5
6	Snap Ring	FA376-6
7	Rocker Arm	FA376-7
8	Disc	FA376-8
9	Disc Cage	FA376-9
10	Stem	FA376-10
11	Stem Nut	FA376-11
12	"O" Ring	FA376-12
13	Screen	FA376-13
15	Stem Assy. Pc's 8, 9, 10, 11 & 12	FA376-15
16	Muffler (Includes 1/2" Street Elbow)	FA515

@ Valve Body Not Available As A Replacement Part. If Body Needs Replacing, Order A New FA377 Valve.



- * Valve body not available as a replacement part. If valve body needs replacing, order a new FA369 valve.
- ** Always give valve manufacturer when ordering parts. Valve manufacturer located on valve body or on lever. If valve is a MacDonald, order parts with the suffix of AY. (Example: FA369-5AY, FA369-10AY, FA369-2AY, Etc.)
- @ FA369-5AY spring also includes a nylon reducing bushing.

FA369 HAND OPERATED OIL VALVE PARTS		
ITEM NO.	DESCRIPTION	PART NO.**
1	Body*	N/A
2	Cap	FA369-2
3	Disc	FA369-3
4	Lever	FA369-4
5	Spring	FA369-5
6	"O" Ring Retainer	FA369-6
7	"O" Ring	FA369-7
8	Stem	FA369-8
9	Handle Nut	FA369-9
10	Lever Handle	FA369-10



FA123 TANK PARTS		
ITEM NO.	DESCRIPTION	PART NO.
1	Plug/Gauge	FA123-13
2	Float Guide	FA123-6
3	Lock Ring	Installed At Factory
4	Low Oil Control Kit	FA123-8

