

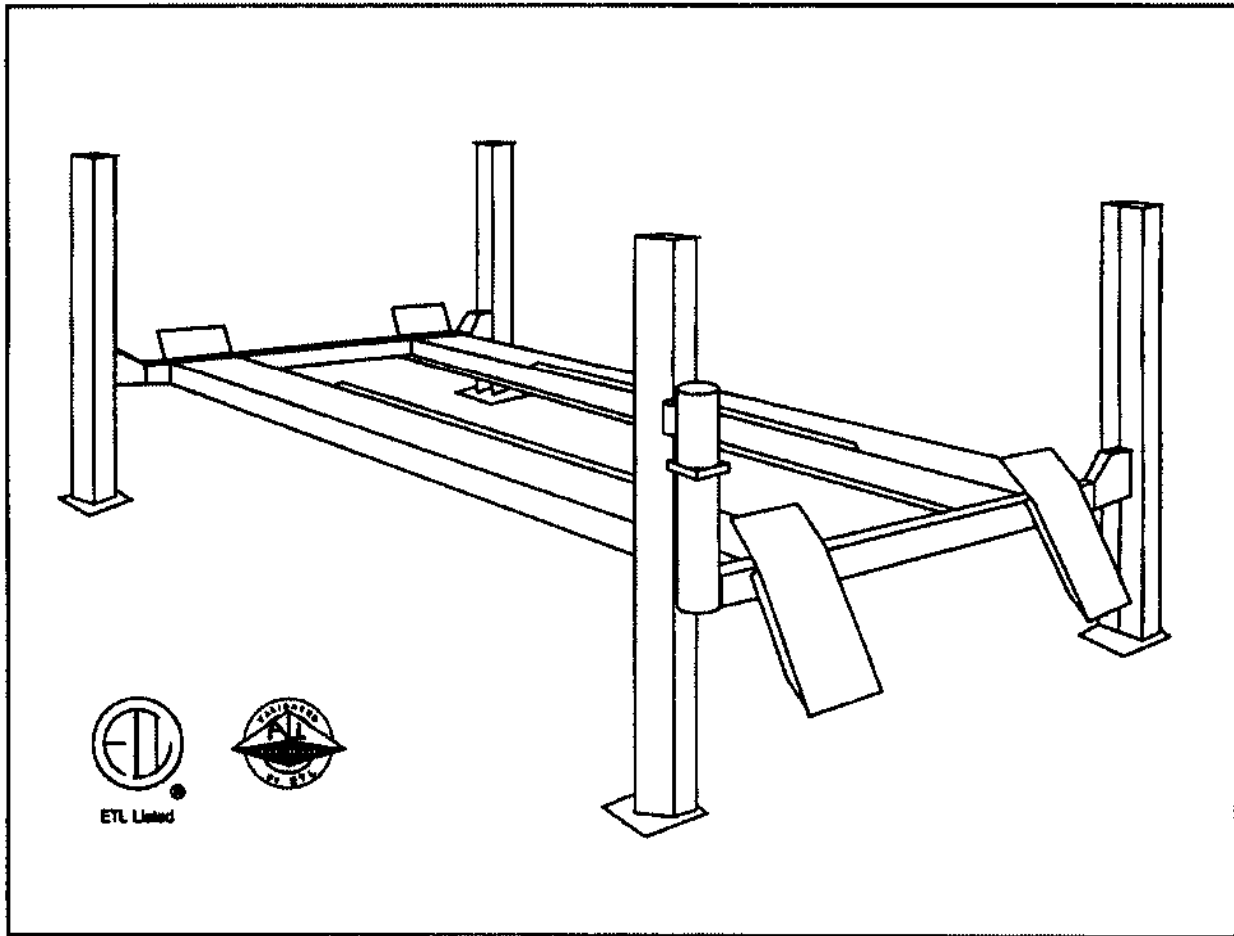
PANZITTA SALES & SERVICE  
72 George Avenue  
Wilkes-Barre, PA 18705  
570-822-6720 800-822-6720  
www.panzittasales.com

**ROTARY LIFT**  
P.O. Box 1560 Madison, WI 47250  
WORLD LEADER IN LIFT SYSTEMS  
A **DOVER** INDUSTRIES COMPANY

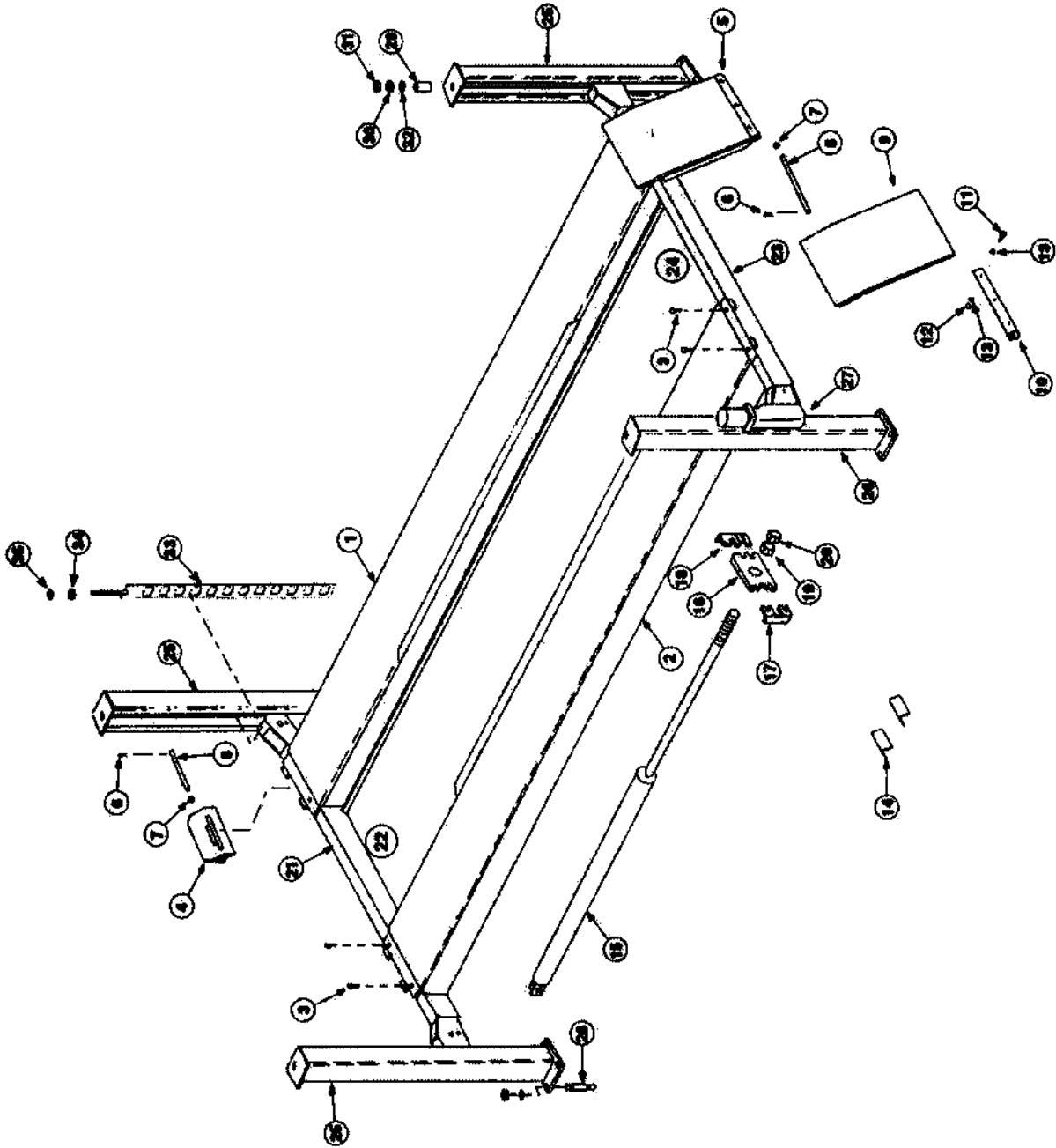
**Models**

**SM122S  
SM122L  
SM122EL2**

## Parts Breakdown



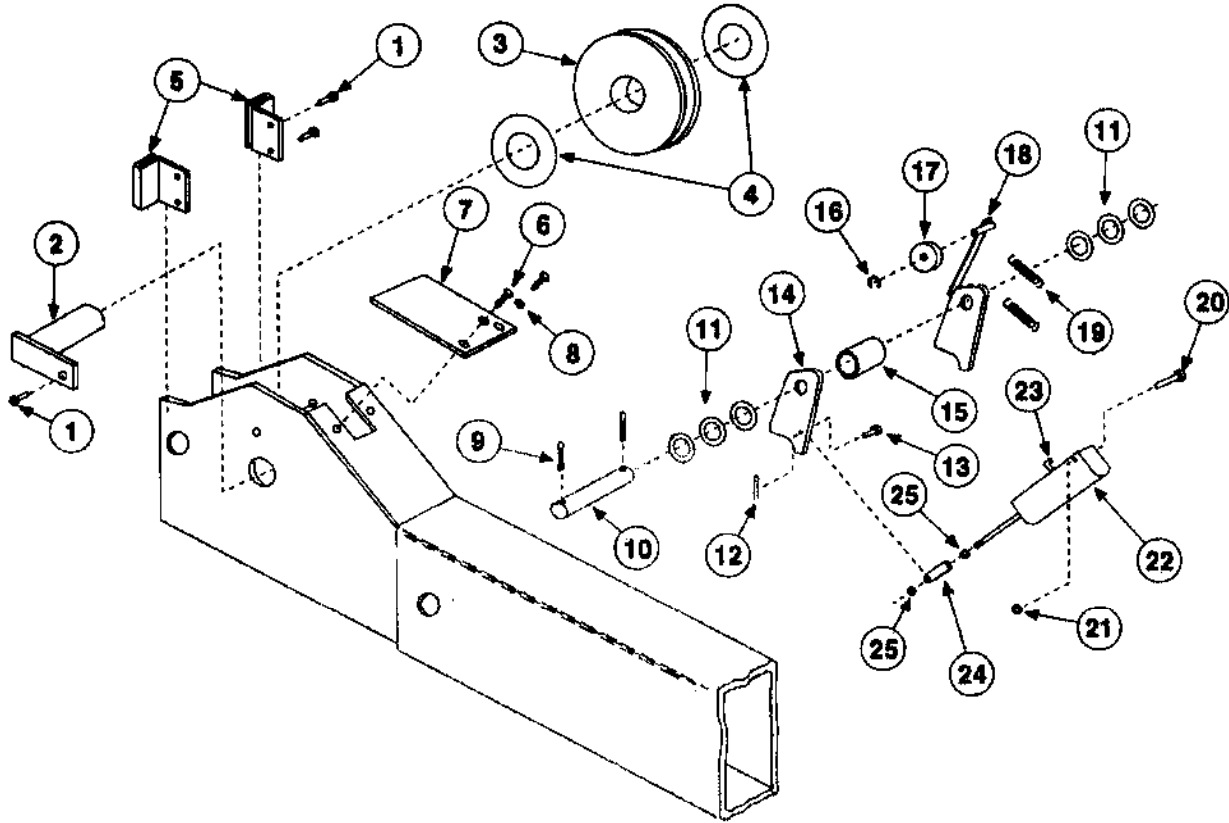
PANZITTA SALES & SERVICE  
72 George Avenue  
Wilkes-Barre, PA 18705  
570-822-6720 800-822-6720  
www.panzittasales.com



**PANZITTA SALES & SERVICE**  
**72 George Avenue**  
**Wilkes-Barre, PA 18705**  
**570-822-6720 800-822-6720**  
**www.panzittasales.com**

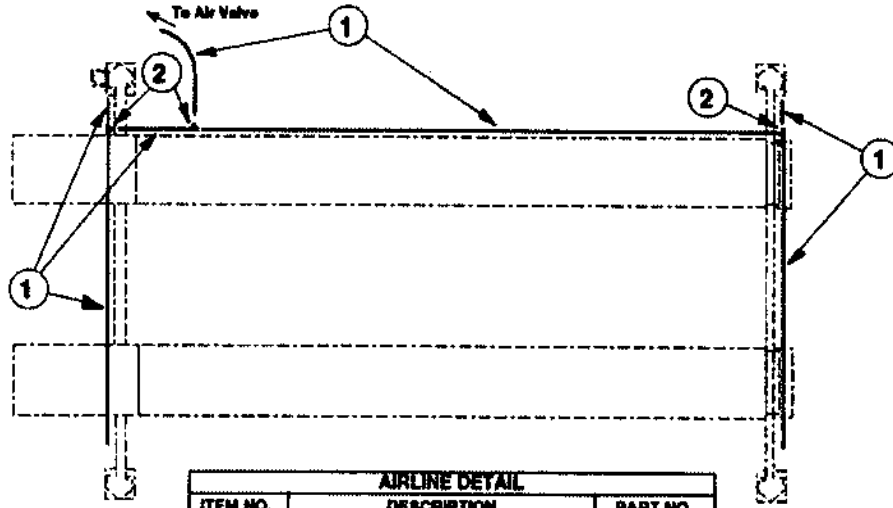
8M122 PARTS					
ITEM NO.	DESCRIPTION	PART NO.			
		8M101	8M122E	8M122L	8M122EL3
1	R.H. (Adjust.) Runway Assembly	FC9344-1	FC5616	FC5344	FC5551-1
2	L.H. (Fixed) Runway Assembly (Includes cylinder, cables and sheaves)	FC5345-1	FC5615	FC5348	FC5551-7
3	1/2" - 13NC x 1", Fig. Whiz Lock HHCS (High Strength)	40200			
4	Wheel Stop	FC134-13			
5	Ramp Chock Assembly	FC134-12			
6	5/32" x 1" Lg. Cotter Pin	41202			
7	5/8" Pushnut Fastener --- TRW #PW825019 Or Equal	FC5179-4			
8	Hinge Pin	FC134-98			
9	Ramp Chock	FC134-65			
10	Ramp Chock Slide	FC134-33			
11	#10-24 PNHMS x 3/4" Lg.	40030			
12	#10-24 Hex Nut	40630			
13	#10 Plain Washer	40786			
14	Triangular Wheel Chock	FC320			
15	Hydraulic Cylinder	FC5342			
16	Cable Pull Bar	FC543			
17	L.H. Cable Retaining Bar	FC543-3			
18	R.H. Cable Retaining Bar	FC543-2			
19	1 3/8"-6NC Hex Nut	40771			
20	1 3/8"-6NC Hex Jam Nut	40773			
21	Front Yoke	FC5707-1			
22	Front Yoke Assy (Including Latches)	FC5707			
23	Rear Yoke	FC5706-1			
24	Rear Yoke Assy (Including Latches)	FC5708			
25	Column	FC5704			
26	Power Unit Column	FC5705			
27	Power Unit Kit (includes power unit)	single phase	FA781		
		3-phase	FA783		
28	5/8" Anchor Bolt	FC5226			
29	Spacer	FC5287			
30	7/8"-9NC Hex Nut	40785			
31	7/8"-9NC Hex Jam Nut	40788			
32	7/8" Flat Washer	41073			
33	Latch Bar	FC5704-3			
34	3/4"-10NC Hex Jam Nut	1 Req'd.			
35	3/4"-10NC Hex Nut	40780			

**PANZITTA SALES & SERVICE**  
 72 George Avenue  
 Wilkes-Barre, PA 18705  
 570-822-6720 800-822-6720  
 www.panzittasales.com

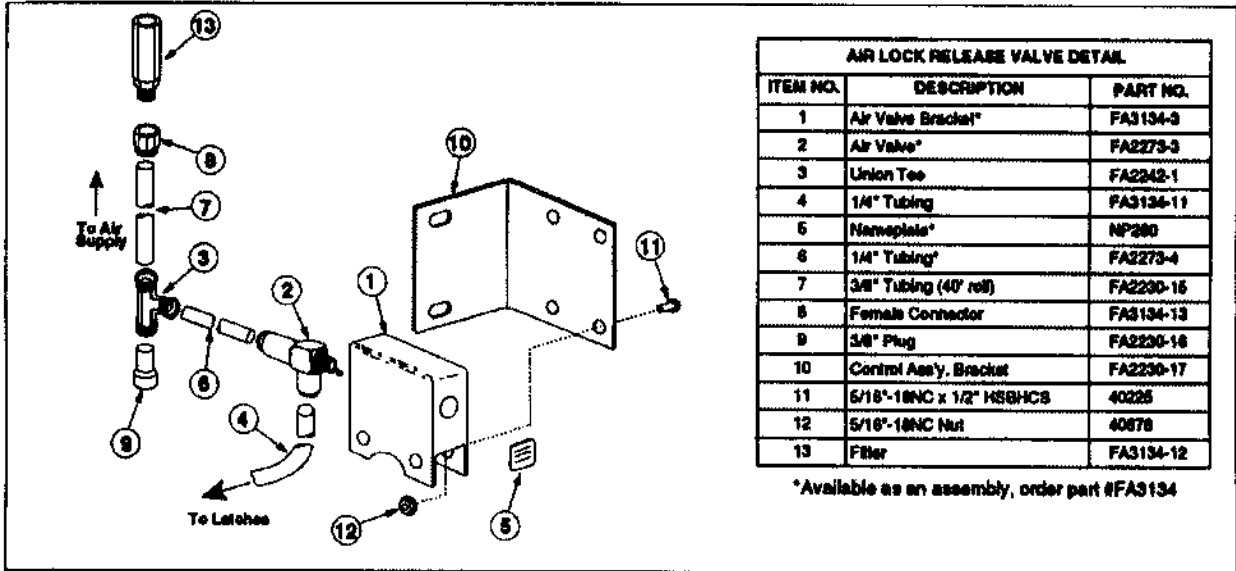


**YOKE END DETAIL**

ITEM	DESCRIPTION	PART NO.	ITEM	DESCRIPTION	PART NO.
1	5/16"-18NC HBSHCB x 1/2" Lg.	40225	14	Latch	FC5708-10
2	Sheave Pin	FC5224-21	15	Spacer	FC5708-9
3	Sheave	FC648	16	3/8" Snap Ring TRUARC #5304-37	41410
4	Plastic Bearing	FC548-5	17	Black Cable Roller	FC589-21
5	Slider	FC5708-18	18	Black Cable Latch	FC5708-8
6	1/4" 3040 HHTS x 1/2" Lg.	40067	19	Extension Spring	FC522-25
7	Rubber Guard	FC563-10	20	#10-24 HNCB X 1 1/2" Lg.	40088
8	1/4" Plain Washer	40780	21	#10-24 Hex Nut w/locking nylon insert	40833
9	Cotter Pin, 1/8" X 1 1/4"	41201	22	Air Cylinder	FC5708-6
10	Latch Shaft	FC5224-17	23	Elbow	FC5224-30
11	Washer	FC5301-88	24	Clevis	FC5708-7
12	1/4" Hairpin Cotter Pin (.05" dia. wire)	41801	25	1/4" 304NF Hex Nut	40822
13	Clevis Pin	FA2230-12			



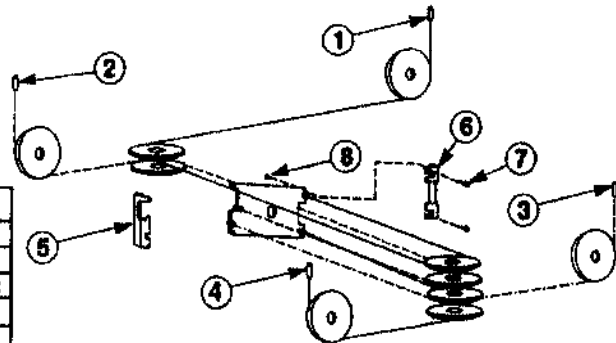
AIRLINE DETAIL		
ITEM NO.	DESCRIPTION	PART NO.
1	Airline Tubing (50' roll)	FA2230-2
2	Union Tee	FC5225-48

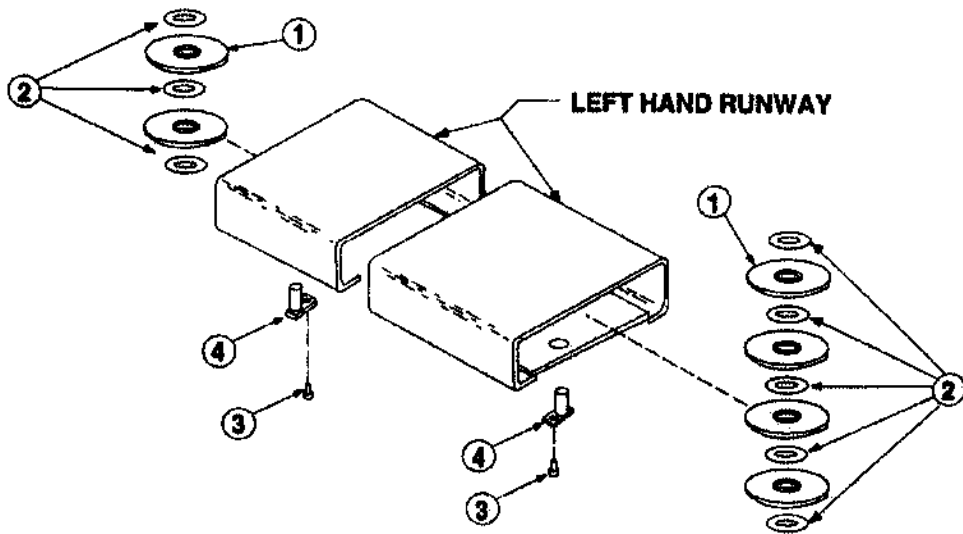


AIR LOCK RELEASE VALVE DETAIL		
ITEM NO.	DESCRIPTION	PART NO.
1	Air Valve Bracket*	FA3134-3
2	Air Valve*	FA2273-3
3	Union Tee	FA2243-1
4	1/4" Tubing	FA3134-11
5	Nameplate*	NP280
6	1/4" Tubing*	FA2273-4
7	3/8" Tubing (40' roll)	FA2230-15
8	Female Connector	FA3134-13
9	3/8" Plug	FA2230-16
10	Control Assy. Bracket	FA2230-17
11	5/16"-18NC x 1/2" HSBHCS	40225
12	5/16"-18NC Nut	40678
13	Filter	FA3134-12

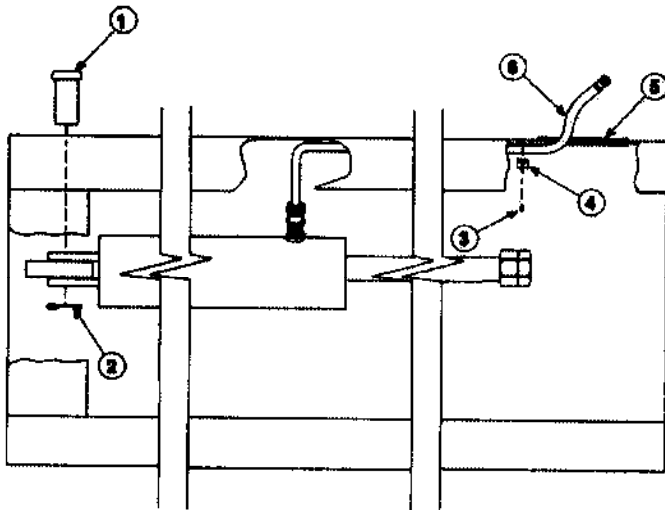
\*Available as an assembly, order part #FA3134

CABLES				
ITEM NO.	DESCRIPTION	PART NO.		
		SM1225	SM122L	SM122L2
1	Right Front Cable	FC5617	FC547	FC5551-12
2	Left Front Cable	FC5619	FC548	FC5551-11
3	Right Rear Cable		FC545	
4	Left Rear Cable		FC544	
5	Left Cable Retaining Bar		FC543-3	
6	Right Cable Retaining Bar		FC543-2	
7	1/4"-20NC HHCS x 1 3/4"		40682	
8	1/4"-20NC Hex Nut w/locking nylon		40642	





SHEAVE DETAIL		
ITEM	DESCRIPTION	PART NO.
1	Sheave	FC548
2	Spacer	FC5348-2 (Thick)
3	5/16"-18NC HSBHC6 x 1/2" Lg.	40225
4	Sheave Pin	FC555-1



HYDRAULIC HOSE DETAIL		
ITEM NO.	DESCRIPTION	PART NO.
1	Clevis Pin	FC5348-1
2	3/16" x 1 1/4" Lg. Cotter Pin	41247
3	#10 - 24NC Slotted N-TTS x 5/8" Lg.	40028
4	Clamp	FA2239-1
5	Strip Grommet	FC5317-12
6	Hose	FJ822

**PANZITTA SALES & SERVICE**  
 72 George Avenue  
 Wilkes-Barre, PA 18705  
 570-822-6720 800-822-6720  
[www.panzittasales.com](http://www.panzittasales.com)