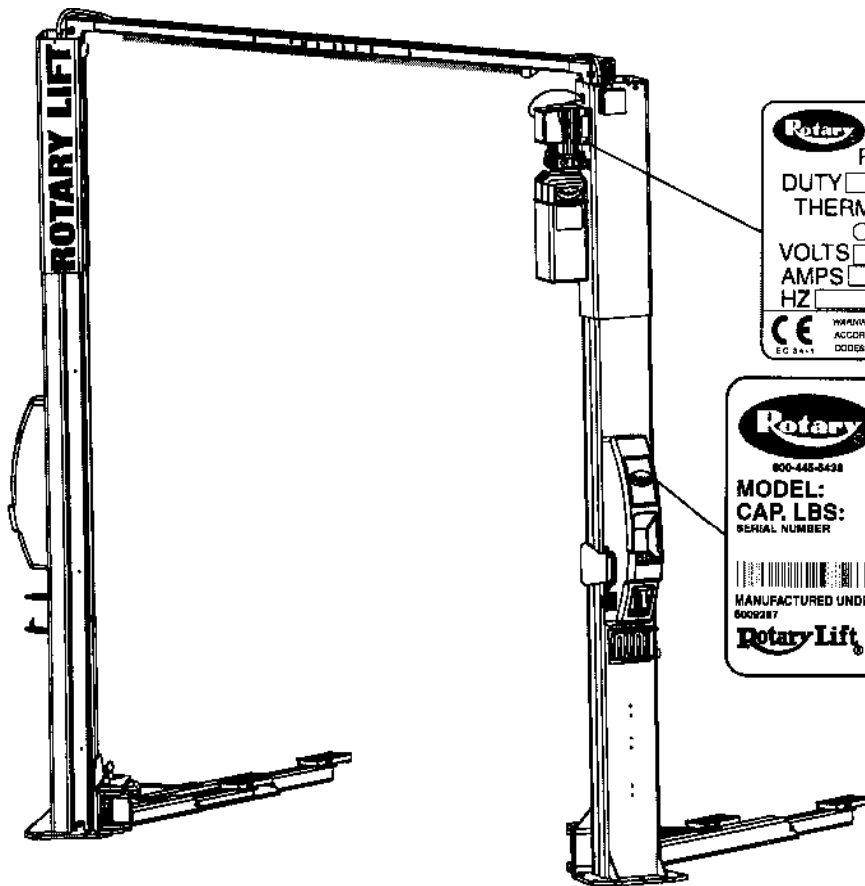


PANZITTA SALES & SERVICE
 72 George Avenue
 Wilkes-Barre, PA 18705
 570-822-6720 800-822-6720
 www.panzittasales.com



A10i/S10i
 (700 Series)

Two Post Surface Mounted Lift



Rotary	PT# <input type="text"/>	N° <input type="text"/>
	PH <input type="text"/>	MAX AMB <input type="text"/>
	DUTY <input type="text"/>	INS <input type="text"/>
	THERMAL PROTECTION <input type="text"/>	
	VOLTS <input type="text"/>	HP <input type="text"/>
	AMPS <input type="text"/>	Kw <input type="text"/>
	HZ <input type="text"/>	RPM <input type="text"/>
		IP <input type="text"/>
CE	<small>WARNING: MOTOR MUST BE GROUNDED IN ACCORDANCE WITH LOCAL AND NATIONAL ELECTRICAL CODES TO PREVENT SERIOUS ELECTRICAL SHOCKS</small>	
		ETL

Rotary	IMPORTANT
800-445-8438	DO NOT REMOVE THIS TAG
	WARRANTY IDENTIFICATION
MODEL:	
CAP. LBS:	
SERIAL NUMBER	
<small>MANUFACTURED UNDER ONE OF THESE PATENTS 6006287</small>	
Rotary Lift	A DOVER INDUSTRIES COMPANY Madison, IN

**P
A
R
T
S

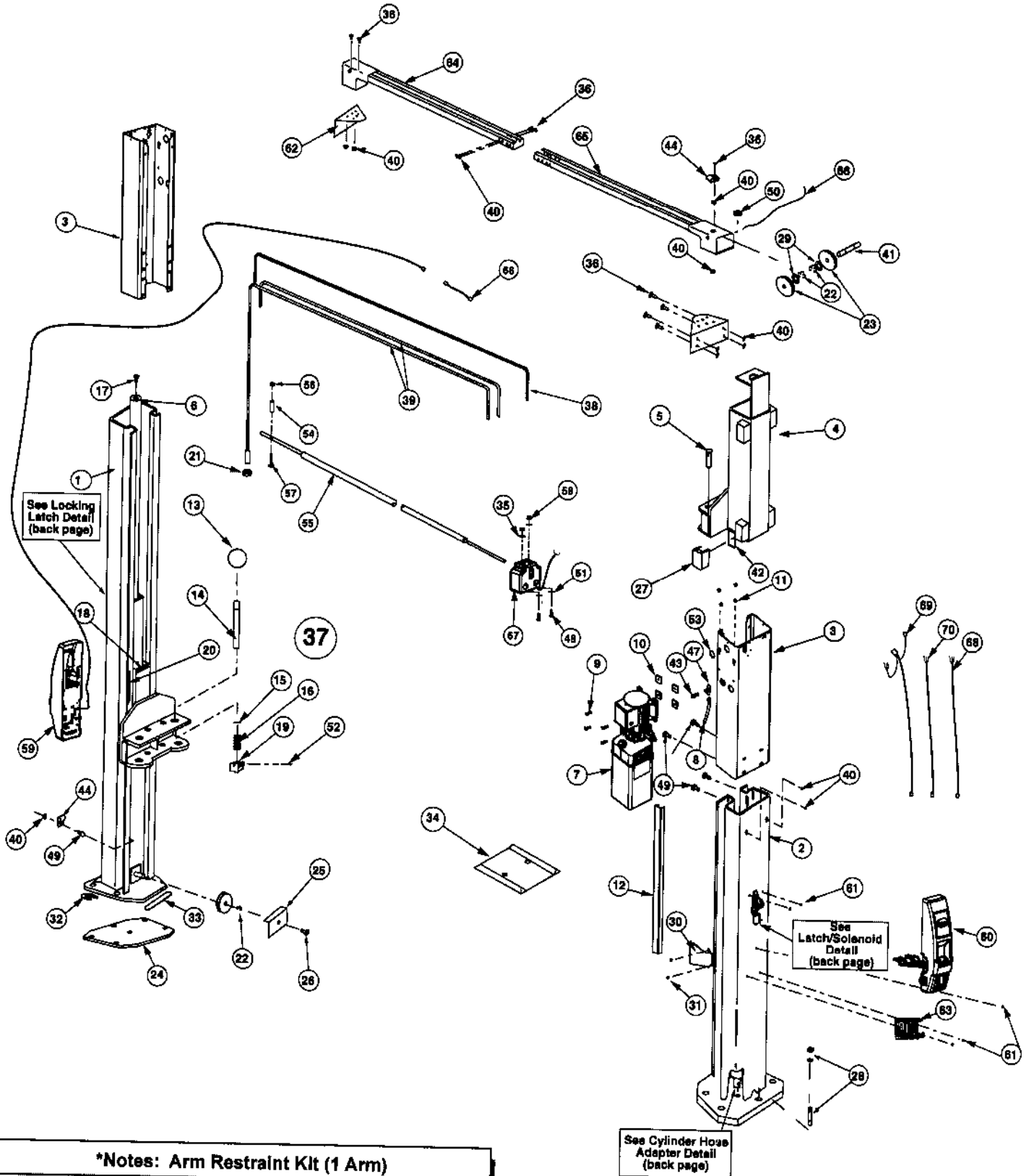
B
R
E
A
K
D
O
W
N**

IMPORTANT: When ordering parts or requesting service always give exact model and power unit serial number. Model number is shown on nameplate attached to power unit column. Power unit serial number is located on side of power unit.

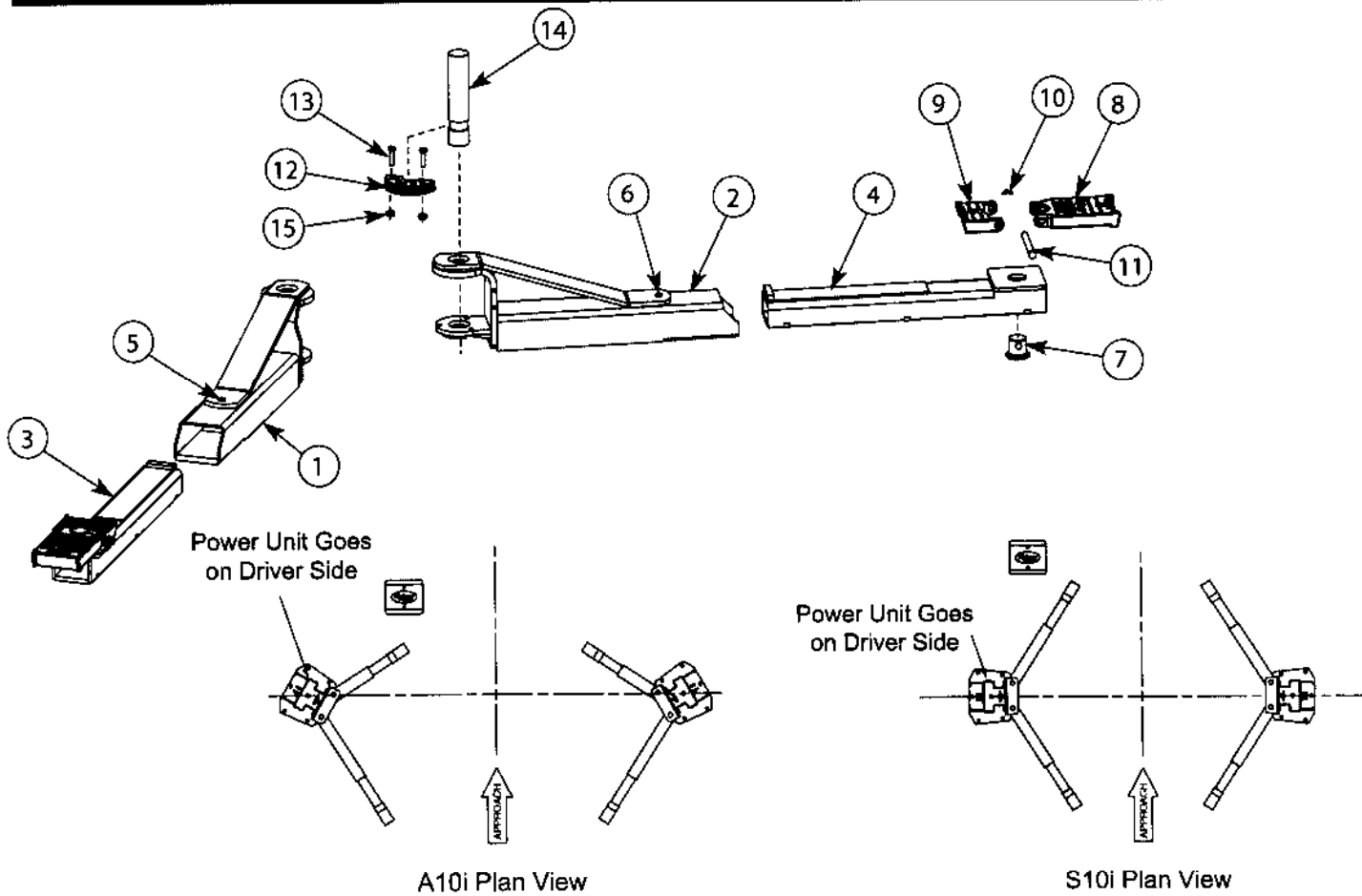
1 L.H. Column Weldment.....	N752	39 Equalizer Cables	
2 R.H. Column Weldment.....	N752	A10i	N372
3 Column Extension		A10i EH-1 MODEL.....	N378
Standard	N470	A10i EH-2 MODEL.....	N373
EH-1 MODEL	N471	S10i	N374
EH-2 MODEL	N472	S10i EH-1 MODEL.....	N379
EH-4 MODEL (S10i only).....	N474	S10i EH-2 MODEL.....	N375
4 Carriage Yoke Weldment.....	N822	S10i EH-4 MODEL.....	N376
5 Arm Pin.....	N2154	40 3/8"-16NC Flanged Locknut	40664
6 Hydraulic Cylinder		41 Sheave Shaft	FJ7444-8
68" Rise	N342	42 Slider Block Shim	N115
71" Rise	N343	43 Male Extension With O-Ring	N332
7 Power Unit		44 Hose Clip	N383
1Ø	P1363	45 3/8"-16 x 3/4" HHCS Bolt.....	40130
3Ø (208-480V).....	P1470	46 5/16"-18NC x 3/8" PHMS.....	40227
3Ø (575V).....	P1471	47 Female Swivel Tee.....	N331
8 Power Unit Hose.....	N368	48 1/4"-20NC x 3/4" Lg. HHCS.....	40099
9 5/16"-18NC x 1-1/2" Bolt.....	40238	49 3/8"-16NC x 3/4" Carriage Bolts	N/A
10 Vibration Pad	P1164-3	50 Wire Grommet	FA7180-31
11 5/16"-18NC Hex Nut	40670	51 1/4" Flat Washer	40795
12 Web Cover.....	FA948	52 Spring Pin- Ø1/4" x 1-1/2" Lg. (Stainless).....	14427
13 Actuator Pin Handle.....	FJ7985-1	53 Hose Grommet	FA7180-32
14 Actuator Pin.....	N121-1	54 3/4" Spacer	FJ7871
15 Retaining Pin	N119-3	55 Switch Bar Assembly	N415
16 Arm Restraint Spring	FJ7656-2	56 1/4"-20NC Insert Locknut	40642
17 Bleeder Screw (Specify Manufacturer).....	N/A	57 1/4"-20NC x 2-3/4" HHCS.....	40114
18 Carriage Bumper	FA941	58 1/4"-20NC Zinc Hex Nut	40627
19 Arm Restraint Pawl.....	N2121	59 Slave Control Panel	FA7500-5
20 Approach Bumper.....	FJ7391-1	60 Master Control Panel	
21 5/8"-11NC Nylon Insert Lock Nut.....	40743	1Ø	FA7400
22 Truarc #5304-75 Klipping for 3/4" Shaft	41411	3Ø (208-480V).....	FA7412
23 Sheave	N377	3Ø (575V).....	FA7416
24 Shim Kit	FA5112	61 5/16" - 18NC x 3/8" PHMS.....	N/A
25 Sheave Cover.....	N119-1	62 Overhead Mounting Bracket.....	N439
26 1/4"-20NC x 3/8" Lg. PHMS Plated	40063	63 Tool Holder	FA5191
27 Slider Block.....	FJ7360	64 L.H. Overhead (Outer).....	N480-1
28 3/4" Concrete Anchor.....	FJ7380	65 R.H. Overhead (Inner).....	N481-1
29 1-1/2" O.D. x .760-.770" I.D. x .045" Bushing...	41388	66 Extension Harness	
30 Wiring Chase	FA928	2'	FA7801
31 #8-32 Type B x 5/8" Lg. PHTS.....	41457	4'	FA7802
32 Horse Shoe Shim	FJ716-6	67 Cutoff Switch Assembly	N413
33 Front Shim	FJ659-3	Cutoff Switch.....	N413-1
34 Spotting Wheel Dish Kit.....	FF729	68 Power Harness	
35 1/4" External Tooth Lockwasher	40779	1Ø EH0	FA7908
36 3/8"-16 NC x 3/4" Long Flanged HHCS.....	40124	1Ø EH1, EH2, EH4.....	FA7936
37 Arm Restraint Kit (1 arm).....	*N2148	3Ø EH0.....	FA7914
38 Overhead Hose		3Ø EH1, EH2, EH4.....	FA7915
Standard Height.....	N369	69 Master Harness	FA7601
EH-1 MODEL.....	N371	70 Motor Cable	
EH-2 MODEL.....	N371	1Ø	FA7922
EH-4 MODEL (S10i only).....	N370	3Ø	FA7906

Note: Standard hardware items should be purchased from local hardware source when possible.

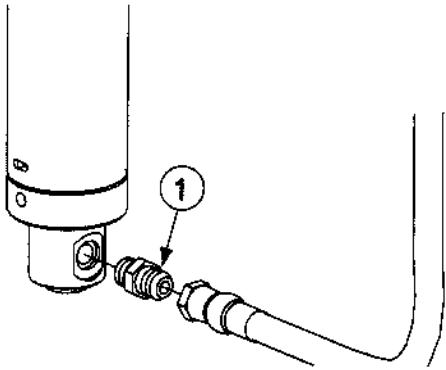
CAUTION Care should be taken to use hardware equal to that specified in this listing. (If grade is not specified, use Grade 2 minimum.)



Arm Detail



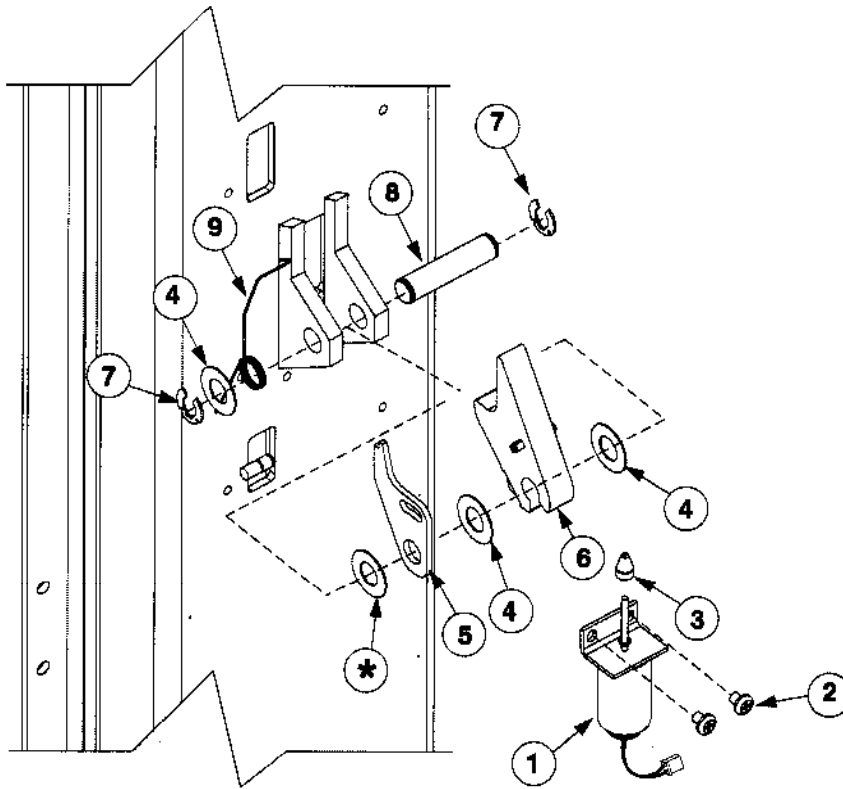
ITEM	DESCRIPTION	PART#
1.	Front Outer Arm A10i (70X Series).....	*N2231-1
	S10i (70X Series).....	*N2261-1
2.	Rear Outer Arm A10i (70X Series).....	*N2260-1
	S10i (70X Series).....	*N2261-1
3.	Front Inner Arm A10i (70X Series).....	*N2231-2
	S10i (70X Series).....	*N2261-2
4.	Rear Inner Arm A10i (70X Series).....	*N2260-2
	S10i (70X Series).....	*N2261-2
5.	Front Stop Bolt (M10 x 1.5 x 18mm BHCS).....	41652
6.	Rear Stop Bolt (M10 x 1.5 x 25mm BHCS)	41635
7.	Adapter Swivel Pin	FJ79-6
8.	High Step Adapter	FJ6177
9.	Low Step Adapter	FJ6178
10.	3/32" Hog Ring for 1/2" Shaft (4 req'd)	FJ671-6
11.	Adapter Pin.....	FJ6179
12.	Arm Restraint Gear.....	N2122
13.	3/8"-16NC x 1-1/2" Lg. HHCS	40201
14.	Arm Pin.....	N2154
15.	3/8"-16NC Hex Jam Nylon Insert Locknut, Plated.....	40656



CYLINDER HOSE ADAPTER DETAIL

ITEM	DESCRIPTION	PART
1	Straight Adapter	FJ7352-3

SOLENOID / LOCKING LATCH ASSEMBLY



LOCKING LATCH DETAIL PARTS LIST

ITEM	DESCRIPTION	PART
1	Solenoid.....	FA7484-6
2	5/16"-18NC x 3/8" PHMS.....	40227
3	Slider.....	N613-1
4	1-1/2" O.D. x 3/4" I.D. x .045 Mach. Bush.	41388
5	Latch Control Plate	N613-3
6	Locking Latch.....	N616
7	Truarc Klipring #5304-75 for 3/4" Shaft	41411
8	Latch Shaft.....	FJ7382-34
9	Latch Spring.....	N613-2

PANZITTA SALES & SERVICE
 72 George Avenue
 Wilkes-Barre, PA 18705
 570-822-6720 800-822-6720
www.panzittasales.com