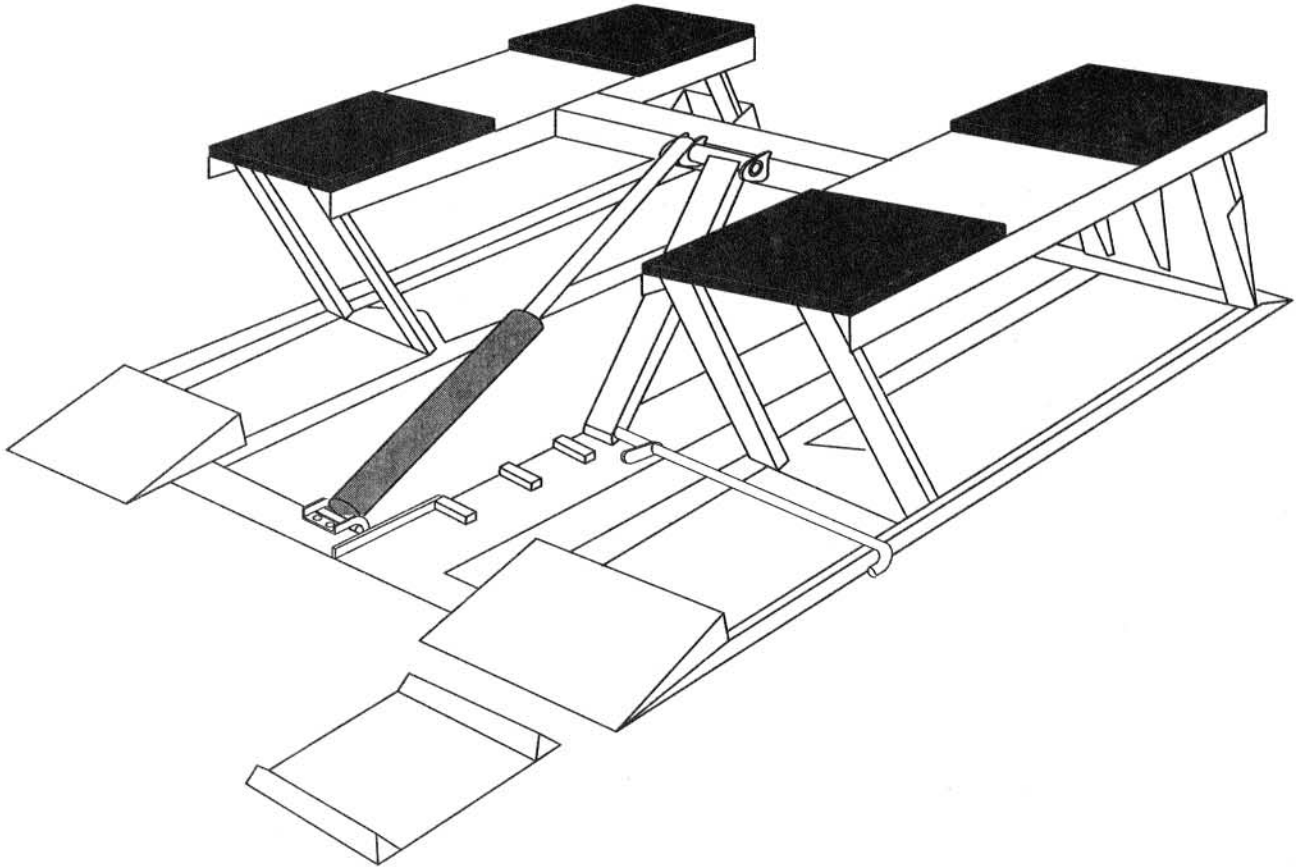




World Leader in Lift System

PANZITTA SALES & SERVICE **MODEL PFXA & E**
72 George Avenue
Wilkes-Barre, PA 18705 **PARTS BREAKDOWN**
570-822-6720 800-822-6720
www.panzittasales.com



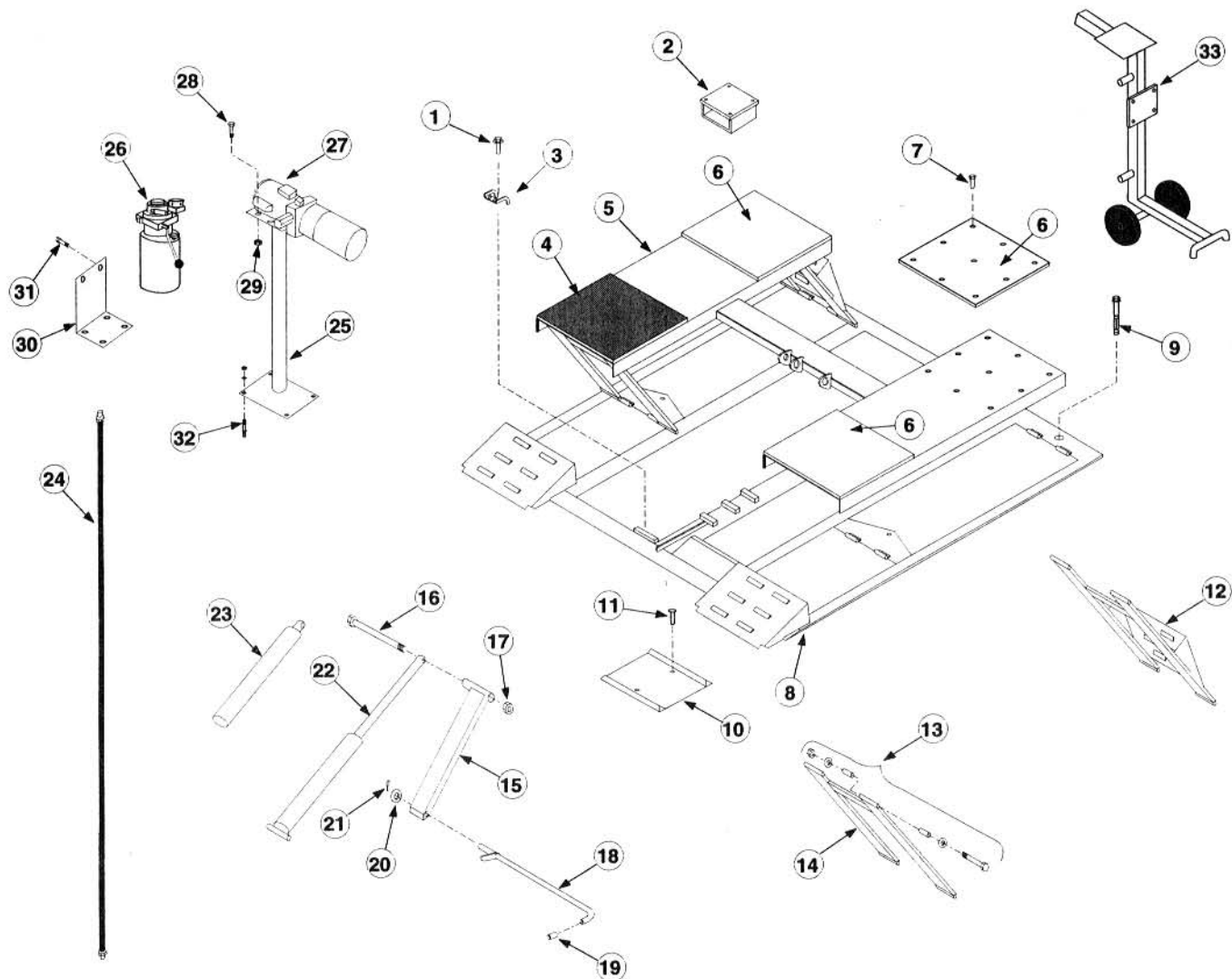
IMPORTANT: When ordering parts always give exact model and power unit serial number. Model number is shown on nameplate attached to center member of superstructure. Serial number is located on side of power unit reservoir.

NOTES:

OWNER'S RECORD

Complete information at right and keep in a safe place.

Date Installed _____
Installed in Bay # _____
Power Unit Serial # _____
Factory Order # _____

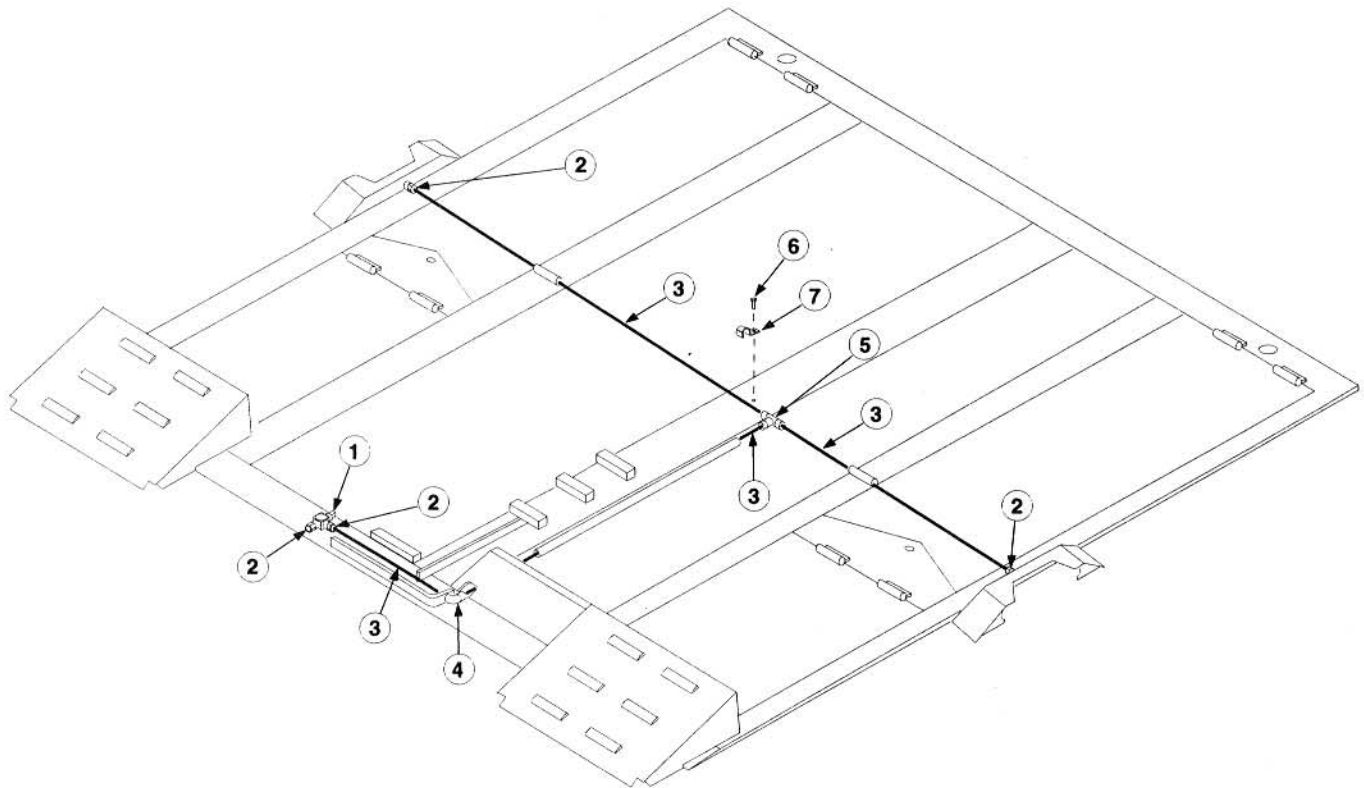


ITEM NO.	DESCRIPTION	PART NO.	ITEM NO.	DESCRIPTION	PART NO.
1	3/8"-16NC x 1" Lg. Flange Head Cap Screw	40144	16	5/8"-11NC HHCS x 8 1/2" Lg. Gd. 8	40359
2	Auxiliary Rubber Pad	FJ2196-22	17	Nut	FJ2298-8
3	Cylinder Bracket	FJ2293-1**	18	Release Handle Assembly	FA2243-3
4	Heat Resistant Pad	FJ2252-6	19	End Cap	FJ2281-8
5	Standard Superstructure "H"	FJ2253	20	Machinery bushing washer	FJ2252-4
	Superstructure "H", with air	FJ2296	21	1/8" x 1 1/4" Cotter Pin	41200
6	Standard Pad	FJ2252-5	22	Hydraulic Cylinder	FJ2248
7	1/4"-20NC Flange Whiz-Lock Nut	40641	23	Optional Cylinder Cover	FJ2280
	1/4"-20NC Flange Soc. BHCS x 1" Lg.	40077	24	Hose	FJ85
8	Standard Base	FJ2254	25	Power Unit Stand	FA536
	Base, with air (See next page)	FJ2297	26	Power Unit (Air Version)	P722
9	5/8" concrete Anchor	FJ2276	27	Power Unit (Electric Version)	P701
10	Wheel Spotting Dish	FF729-1	28	5/16"-18NC HHCS x 3/4" Lg.	40224
11	Drive Anchor	FJ7659-2	29	5/16"-18NC Hex Nut	40670
12	Rear Leg Assembly	FJ2256	30	Air Power Unit Bracket	P522-3
13	Leg Hinge Bushing Kit	FJ2257	31	5/16 -18NC BHCS x 1/2" Lg.	40225
14	Front Leg Assembly	FJ2255	32	3/8" Concrete Anchor	FC5388-98
15	Locking Leg	FA2243	33	Optional Portable Power Unit Stand*	FA569

*NOTE: May be used with either A or E version power units.

**NOTE: Units manufactured prior to 12/15/91 and #L81900, clips were factory welded.

PFX with Internal Air Line Kit



ITEM NO.	DESCRIPTION	PART NO.
1	1/4" NPT Cap	FJ2295-15
2	Male Connector	FC147-8
3	3/8" O. D. Tubing-Plastic	16080
4	Female 90° Elbow	FC5305-3
5	Union Tee	FC148-2
6	1/4-20NC x 1/2 lg. Fig. Hd. C. S. Whiz-Lock	1 Req.'d
7	Clamp	FA2239-1

PANZITTA SALES & SERVICE
 72 George Avenue
 Wilkes-Barre, PA 18705
 570-822-6720 800-822-6720
 www.panzittasales.com