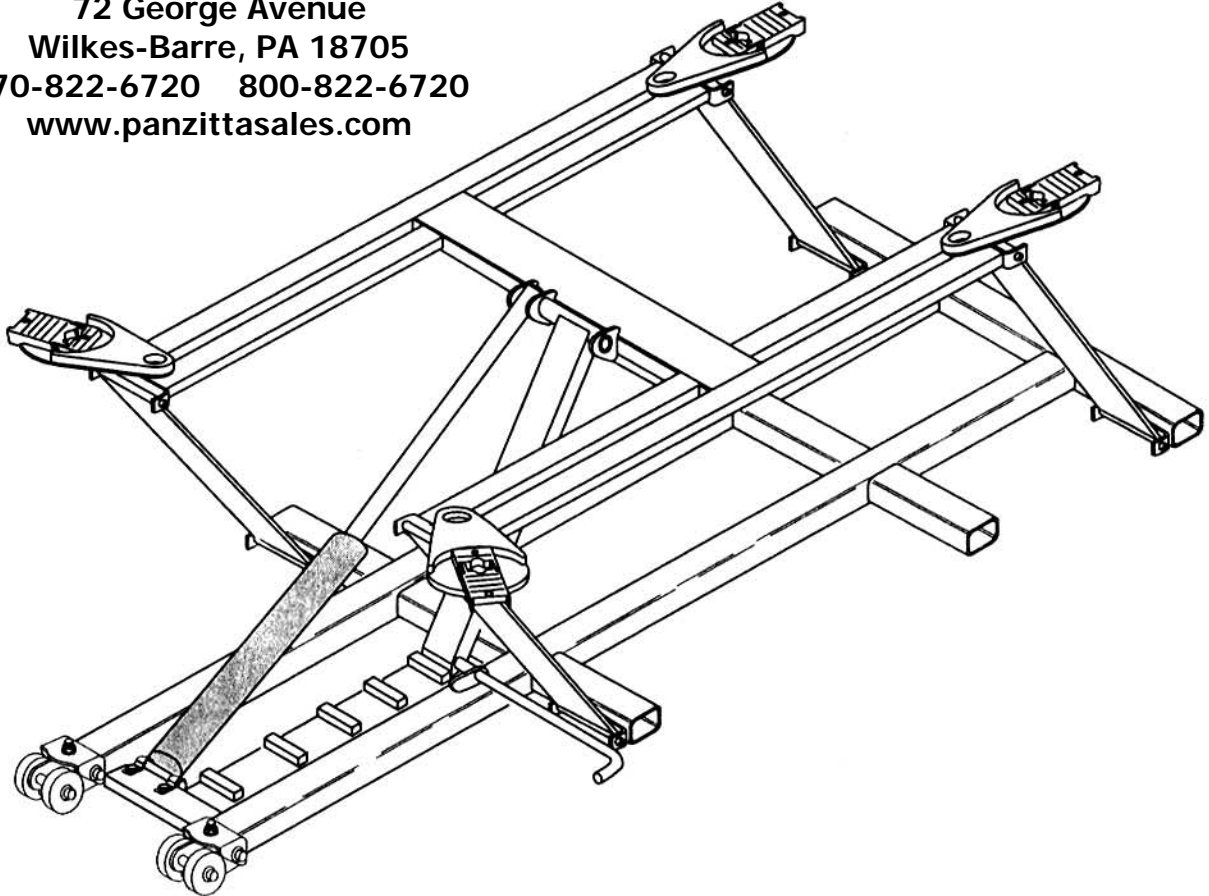


# ROTARY LIFT

P.O. Box 1560 Madison, IN 47250  
WORLD LEADER IN LIFT SYSTEMS  
A **DOVER** INDUSTRIES COMPANY

## MODEL MPAL8A & E PARTS BREAKDOWN

PANZITTA SALES & SERVICE  
72 George Avenue  
Wilkes-Barre, PA 18705  
570-822-6720 800-822-6720  
www.panzittasales.com



**IMPORTANT:** When ordering parts always give exact model and power unit serial number. Model number is shown on nameplate attached to center member of superstructure. Serial number is located on side of power unit reservoir.

### NOTES:

### OWNER'S RECORD

Complete information  
at right and keep in  
a safe place.

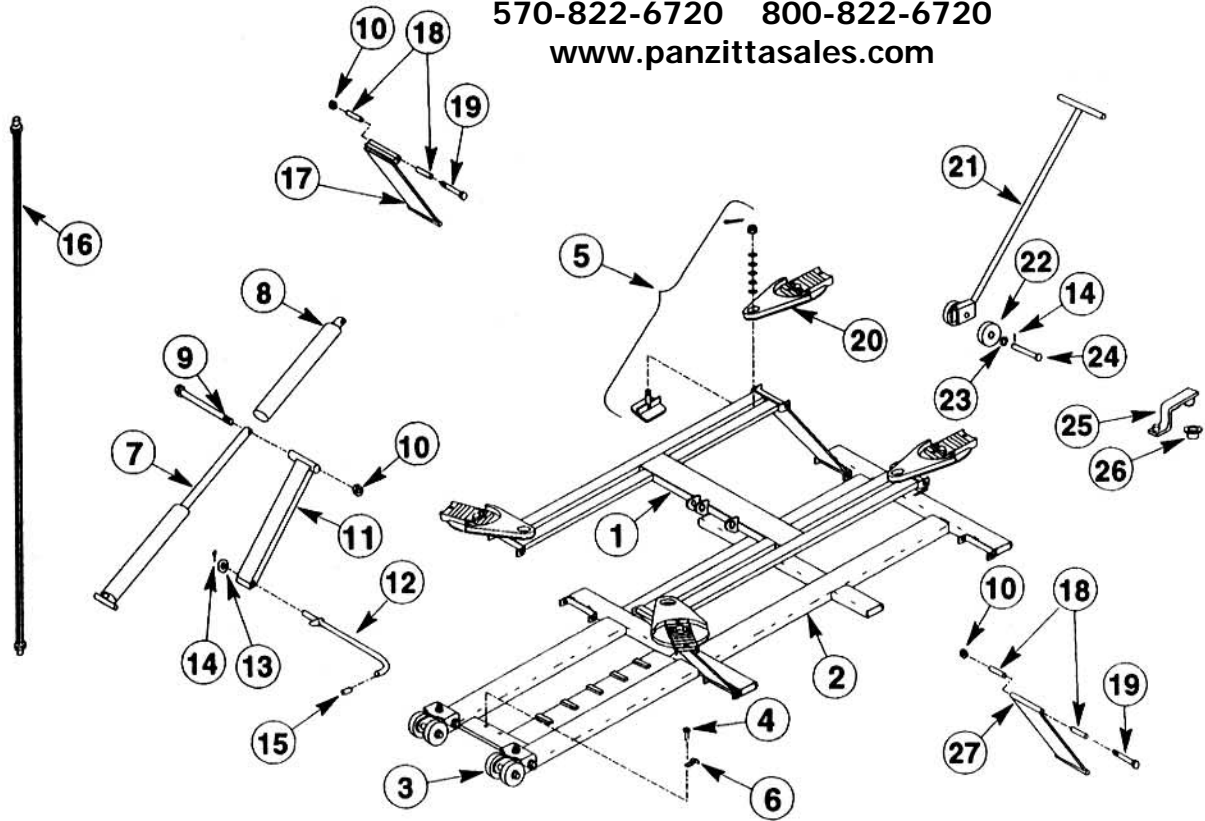
Date Installed \_\_\_\_\_

Installed in Bay # \_\_\_\_\_

Power Unit Serial # \_\_\_\_\_

Factory Order # \_\_\_\_\_

**PANZITTA SALES & SERVICE**  
 72 George Avenue  
 Wilkes-Barre, PA 18705  
 570-822-6720 800-822-6720  
 www.panzittasales.com

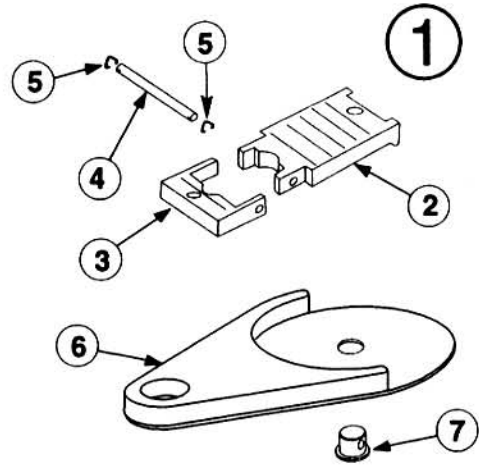


**MPAL8A & E REPLACEMENT PARTS**

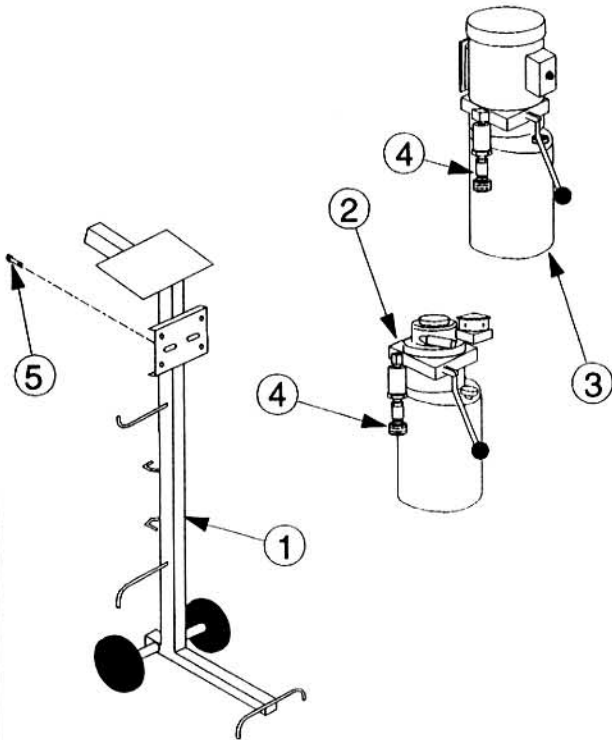
ITEM NO.	DESCRIPTION	PART NO.	ITEM NO.	DESCRIPTION	PART NO.
1	Superstructure	FJ2265	15	End Cap	FJ2281-8
2	Base	FJ2266	16	Hose With Nipple Half	FJ849
3	Wheel Assembly (See Detail - Opposite Page)	—	17	Front Leg	FJ2268
4	1/2" x 1" Lg. Flange Head Cap Screw	40262	18	Hinge Bushing	FJ2264-21
5	Adapter Retainer Kit (set of 4)	FJ2261	19	5/8"-11NC HHCS x 7" Lg. Gd. 8	40358
6	Cylinder Clip	FJ294-4*	20	Swivel Arm Assembly (See Detail - Opposite Page)	FJ2261
7	Hydraulic Cylinder	FJ2263	21	Wheel Dolly Assembly	FJ2271
8	Cylinder Cover (Option)	FJ2279	22	Wheel	FJ2271-1
9	5/8"-11NC HHCS x 8 1/2" Lg. Gd. 8	40359	23	1/2" Flat Washer	1 req'd.
10	Nut	FJ2252-3	24	Clevis Pin	FJ2271-2
11	Locking Leg	FJ2270	25	Jack Bar (Option)	FJ2277
12	Release Handle	FJ2267	26	Sleeve (Option)	FJ2277-5
13	Machinery Bushing Washer	FJ2252-4	27	Rear Leg	FJ2269
14	1/8" x 1 1/4" Cotter Pin	41201			

\*Note: Units manufactured prior to 12/15/91 and #L81900, clips were factory welded.

SWIVEL ARM ASSEMBLY DETAIL		
ITEM NO.	DESCRIPTION	PART NO.
1	Swivel Arm Adapter Ass'y.	FJ2311
2	High Step Adapter	FJ671-1
3	Low Step Adapter	FJ671-2
4	Adapter Pin	FJ671-3
5	3/32 " Hog Ring	FJ671-6
6	Swivel Arm Adapter Base*	—
7	Adapter Swivel Pin	FJ79-6

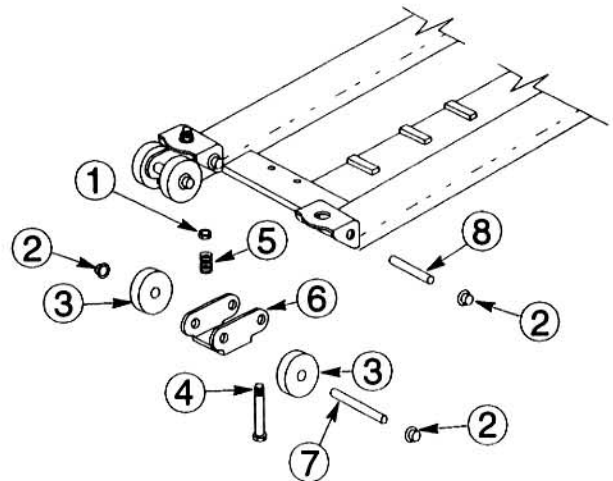


**\*NOTE:** If adapter base requires replacement, it is more economical to replace the entire adapter.



POWER UNIT AND STAND		
ITEM NO.	DESCRIPTION	PART NO.
1	Power Unit Stand	FA569*
2	Air Power Unit (MPAL8A)	P622
3	Electrical Power Unit (MPAL8E)	P601
4	Female Hydraulic Coupler	FJ850
5	3/8"-16NC x 1/2 lg. BHCS	40128

\*Note: May be used with either A or E version of power unit.



WHEEL ASSEMBLY DETAIL		
ITEM NO.	DESCRIPTION	PART NO.
1	1/2"-13NC Hex Lock Nut	40703
2	1/2" Push Nut	40681
3	Wheel	FJ2271-1
4	1/2"-13NC x 3 1/2" Lg. HHCS	FJ2264-17
5	Compression Spring	FJ2264-9
6	Wheel Arm	FJ2264-12
7	Axle Pin	FJ2264-19
8	Pivot Pin	FJ2264-18