

PANZITTA SALES & SERVICE

72 George Avenue

Wilkes-Barre, PA 18705

ROTARY LIFT

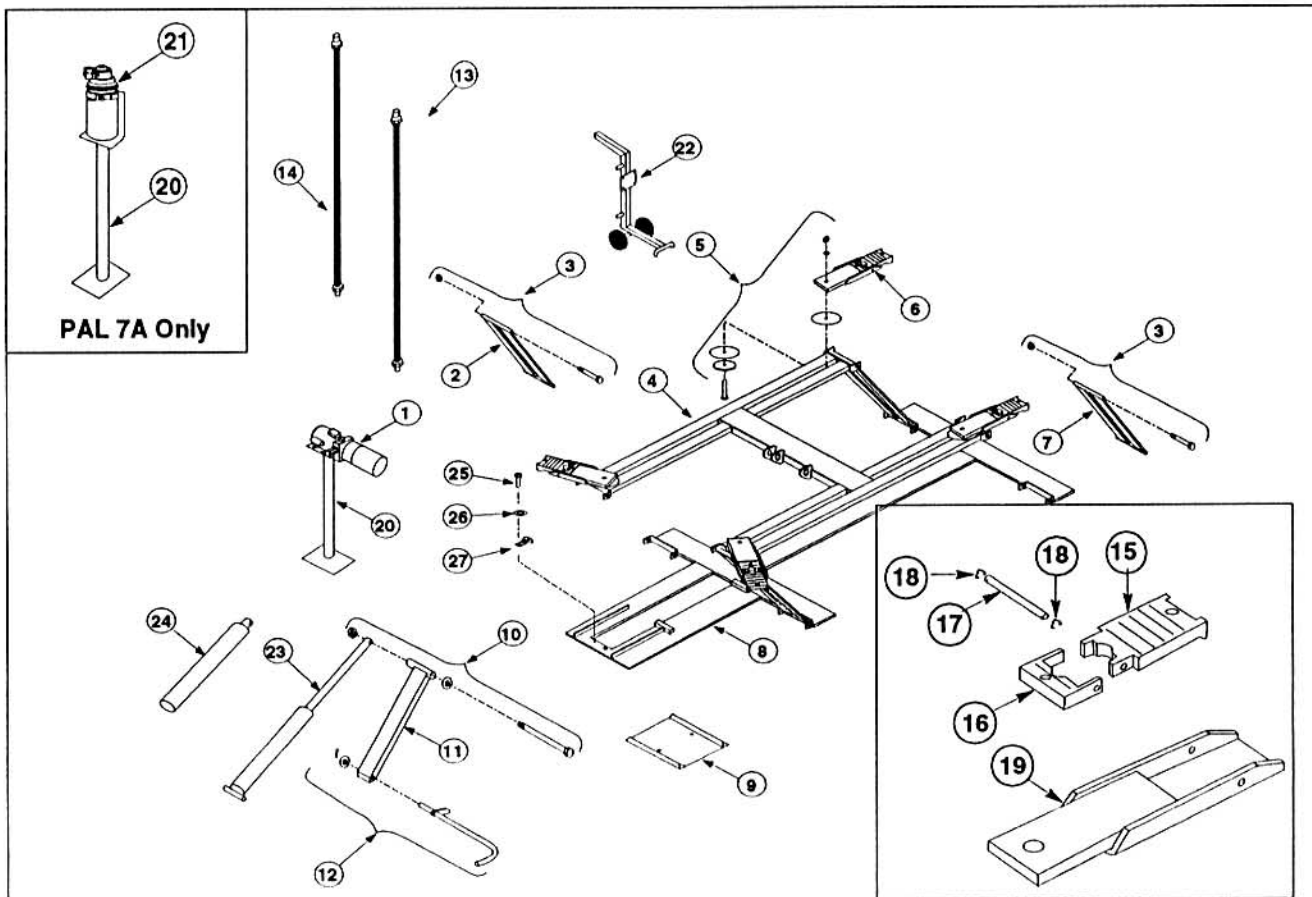
A DOVER INDUSTRIES COMPANY

570-822-6720 800-822-6720

www.panzittasales.com

**MODEL PAL7A & E
PARTS BREAKDOWN**

P.O. Box 1560
Madison, Indiana 47250-0560



MPAL7A & E REPLACEMENT PARTS

ITEM NO.	DESCRIPTION	PART NO.	ITEM NO.	DESCRIPTION	PART NO.
1	Power Unit (E version)	P501	15	Low Step Adapter	FJ671-1
2	Front Leg Assembly	FJ2244	16	High Step Adapter	FJ671-2
3	Leg Hinge Kit	FJ2260	17	Adapter Pin	FJ2247-7
4	Superstructure Assembly	FJ2242	18	3/32" Hog Ring	FJ671-6
5	Adapter Retainer Kit	FJ2261	19	Adapter Base	⓪
6	Swivel Arm Assem.	FJ2247	20	Power Unit Stand	FA536
7	Rear Leg Assembly	FJ2245	21	Power Unit (A version)	P522
8	Superstructure Base Assembly	FJ224	22	Optional Portable Power Unit Stand	FA569*
9	Wheel Spotting Dish	FF729	23	Hydraulic Cylinder	FJ2248
10	Locking Leg Hinge Pin Kit	FJ2258	24	Optional Cylinder Cover	FJ2280
11	Locking Leg Assembly	FJ2246	25	1/2" X 1" Lg. Hex. Cap Screw	2 Req'd
12	Release Handle Assembly	FJ2246-3	26	1/2" Lock Washer	2 Req'd
13	Hose (with nipple half)	FJ830	27	Cylinder Clip	FJ294-4**
14	Hose (with coupler half)	FJ831			

⓪ Note: If adapter base needs replacing, it is more economical to replace the entire adapter.

* Note: May be used with either A or E version power unit.

** Note: Units manufactured prior to 12/15/91 and #L81900, clips were factory welded.

OWNER'S RECORD

Complete information
at right and keep in
a safe place.

Date Installed _____
Installed in Bay # _____
Power Unit Serial # _____
Factory Order # L _____

IMPORTANT: When ordering parts
always give exact model and power
unit serial number. Model number is
shown on nameplate attached to
center member of superstructure.
Serial number is located on side of
power unit reservoir.

NOTE: For Replacement Parts - **PANZITTA SALES & SERVICE**

INDEX 2.4.5 A