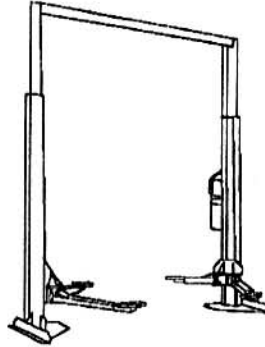


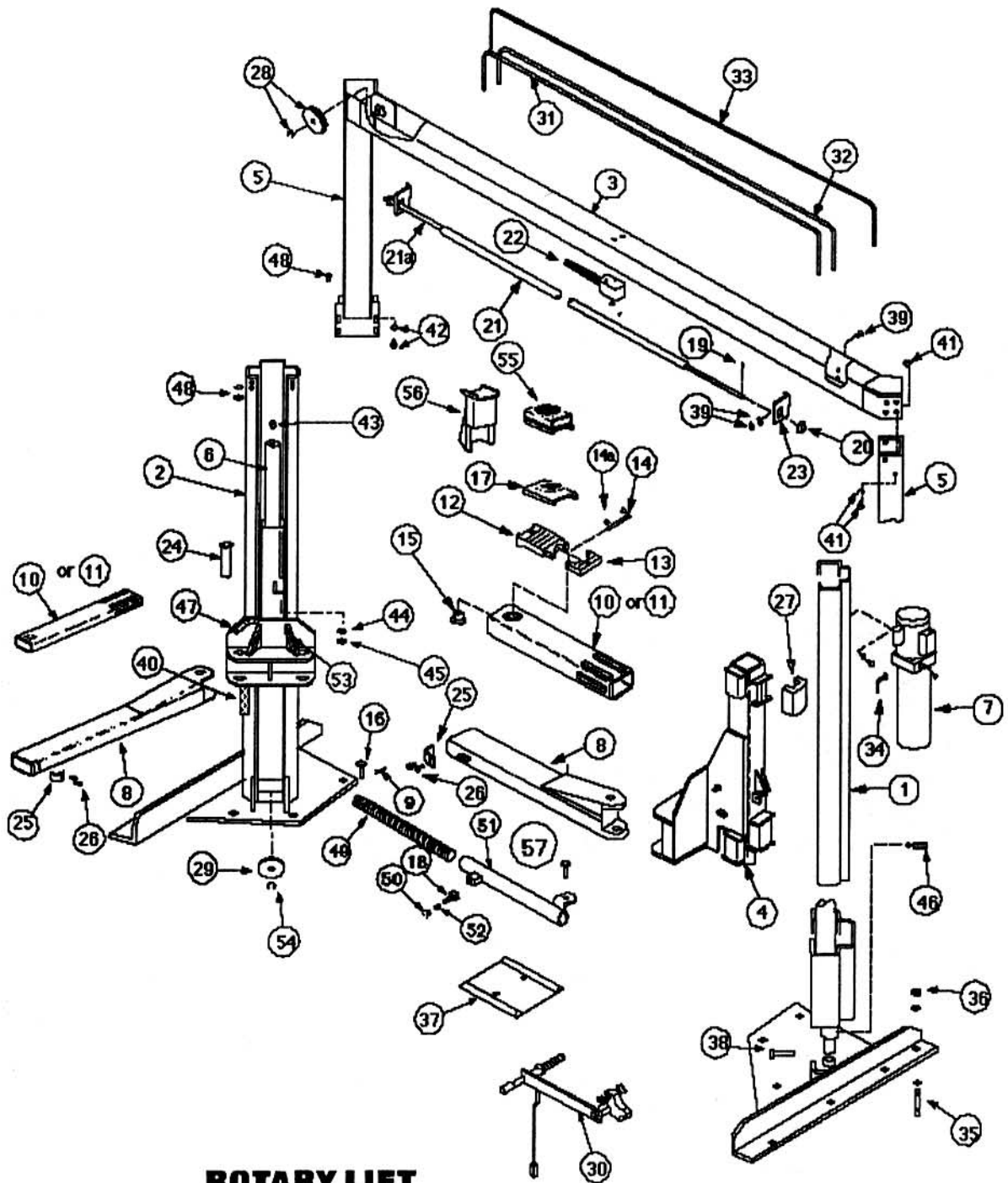
MODEL SPOA84 PARTS BREAKDOWN



REPLACEMENT PARTS					
ITEM NO.	DESCRIPTION	PART NO.	ITEM NO.	DESCRIPTION	PART NO.
1	Right Hand Column	FJ7147-1	30	Locking Latch Kit	FJ7227
2	Left Hand Column	FJ7148-1	31	Long Equalizer Cable	FJ7158
3	Cable Housing	FJ7153-1	32	Short Equalizer Cable	FJ7157
4	Left Hand Carriage Yoke Assembly	FJ7260	33	Overhead Hose	FJ86
	Right Hand Carriage Yoke Assembly	FJ7267	34	Power Unit Hose	FJ732-2
5	Column Extension	FJ7154	35	3/4" Anchor Bolt	FJ7380
6	Cylinder	FJ7211	36	3/4"-10NC Jam Nut, 3/4" Ext. Tooth L.W.	14 REQ'D
7	Power Unit	P502	37	Wheel Spotting Dish	FF729
8	Left Front Swinging Arm	FJ7255-1	38	1/4"-20NC x 2"Lg. HS HHCS	4 REQ'D
	Right Front Swinging Arm	FJ7256-1	39	1/4"-20NC x 3/4" Lg. HHCS, Nut & L.W.	4 REQ'D
	Left Rear Swinging Arm	FJ7257-1	40	FoamTape	FJ761-4
	Right Rear Swinging Arm	FJ7258-1	41	3/8"-16NC x 3/4" Lg. HHCS, Nut & L.W.	8 REQ'D
9	1/8" x 1" Cotter Pin	8 REQ'D	42	1/2"-13NC x 3/4" Lg. HHCS, Dished L.W.	8 REQ'D
10	Front Adapter Tube	FJ7255-8*	43	Bleeder Screw (MF)	2 REQ'D
11	Rear Adapter Tube	FJ7150-8*	44	1/2" -13NC Hex Nut	4 REQ'D
12	High Step	FJ671-1	45	1/2"-13NC Hex Jam Nut	4 REQ'D
13	Low Step	FJ671-2	46	Cylinder Adapter	FJ741-7
14	Adapter Pin	FJ671-3	47	Yoke Back Foam Tape	FJ7148-2
14a	3/32" Hog Ring For 1/2" Shaft	FJ671-6	48	3/8"-16NC x 1 1/4" Lg. HHCS, Nut & L.W.	4 REQ'D
15	Front Swivel Pin	FJ79-6	49	Front Rod	FJ7259-15
	Rear Swivel Pin	FJ79-6		Rear Rod	FJ7233-27
16	Clevis Pin	FJ7233-22	50	Ball Handle	FC134-9-10
17	Optional Rubber Pad Adapter@	FJ697	51	Left Rear Tube	FJ7259-7
18	Plunger	FJ7233-25		Right Rear Tube	FJ7259-9
19	Cotter Pin	FJ7108-7-4		Right Front Tube	FJ7259-1
20	Washer	FJ7108-7-3		Left Front Tube	FJ7259-4
21	Long Cushion	FJ7108-7-1-2	52	Spring	FC134-9-7
21a	Switch Bar	FJ7108-7-1-1	53	Yoke Gusset Foam Tape	FJ7148-3
22	Overhead Switch Ass'y	FJ7108-2	54	TRUARC #5304-75 Ext. Ret. Ring (OR EQUAL)	2 REQ'D
23	Safety Switch Bracket	FJ7108-7-2	55	Optional High Step Rubber Pad Adapter@	FJ698
24	Arm Pin	FJ7152	56	Optional Truck and Van Adapter@	FJ696
25	Arm Stop	FJ7255-12	57	Left Rear Arm Restraint	FJ7520
26	5/16"-18NC 1/2" HS Button HD CS	8 REQ'D		Right Rear Arm Restraint	FJ7521
27	Slider Block	FJ7236		Right Front Arm Restraint	FJ7518
28	Sheave Kit	FJ7146		Left Front Arm Restraint	FJ7519
29	Lower Sheave	FJ7116-1			

* NOTE: If Inner Tube Is To Be Replaced Arm Stop Bars Must Be Ordered And Welded On the End Of The Tube. Consult Factory For Part Numbers Of Arm Stop Bars.
@ Order 4 Per Lift.

OWNERS RECORD Complete information at right and keep in a safe place.	Date Installed _____	IMPORTANT: When ordering parts always give exact model and power unit serial number. Model number is shown on nameplate attached to base angle. Serial number is located on side of power unit reservoir.
	Installed in Bay # _____	
Std. Serial # _____ P502		
3 ph. Serial # _____ P504		
Factory Order # L _____		



ROTARY LIFT

A DOVER INDUSTRIES COMPANY

PANZITTA SALES & SERVICE
 72 George Avenue
 Wilkes-Barre, PA 18705
 570-822-6720 800-822-6720
www.panzittasales.com