

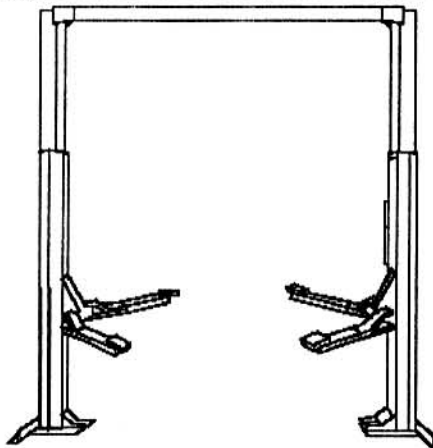
ROTARY LIFT

P.O. Box 30297, Memphis, TN 38130

WORLD LEADER IN LIFT SYSTEMS

A **DOVER** INDUSTRIES COMPANY

MODEL SPO84 PARTS BREAKDOWN



REPLACEMENT PARTS

ITEM NO.	DESCRIPTION	PART NO.	ITEM NO.	DESCRIPTION	PART NO.
1	R.H. Column	FJ7291	28	Arm Pin	FJ730-4
2	L.H. Column	FJ7290	29	1/4"-20NC HHCS x 3/4" Lg.	4 REQ'D
3	Cable Housing	FJ7108-1	30	1/4"-20NC Hex Nut, 1/4" LW	4 EA. REQ'D
4	Column Extension	FJ7104	31	3/8"-16NC HHCS x 1 1/4" Lg.	4 REQ'D
5	Power Unit	P502	32	3/8" Hex Nut, 3/8" Ext. Tooth LW	4 EA. REQ'D
6	R.F. Swinging Arm	FJ7240	33	3/8"-16NC HHCS x 3/4" Lg.	16 REQ'D
	R.R. Swinging Arm	FJ7239	34	3/8"-16NC Hex Nut, 3/8" Ext. Tooth LW	16 REQ'D
7	L.F. Swinging Arm	FJ7241	35	Bleeder Screw MF	2 REQ'D
	L.R. Swinging Arm	FJ7238	36	Switch Bar	FJ7108-7-1-1
7a	Adapter Assembly *	FJ775	37	Cylinder Adapter	FJ741-7
8	Hydraulic Cylinder	FJ7211	38	3/4" Anchor Bolt (16 Req'd)	FJ7380
9	Carriage Yoke	FJ72243	39	1/4"-20NC x 2" Lg. HS HHCS	2 REQ'D
10	Long Cushion	FJ7108-7-1-2	40	1/2"-13NC Hex Nut, 1/2"-13NC Hex Jam Nut	4 EA. REQ'D
11	Equalizer Cable	FJ7101	41	1/8"x 1" Long Cotter Pin	FJ7108-7-4
12	Optional Rubber Pad Adapter@	FJ697	42	5/16"-18NC HHCS x 3/4" Lg. HHCS	4 REQ'D
13	Overhead Hose	FJ86	43	5/16" Hex Nut	4 REQ'D
14	Locking Latch Kit	FJ748	44	3/4" Washer	FJ7108-7-3
15	Sheave	FJ7116-1	45	1/2"-13NC x 3/4" Lg. HHCS	8 REQ'D
16	Sheave Kit	FJ7109	46	Left Hand Outer Tube	FJ7233-7
17	Wheel Spotting Dish	FF729		Right Hand Outer Tube	FJ7233-11
18	Power Unit Hose	FJ7191	47	Rod	FJ7233-27
19	Sliding Base	FJ775-1	48	Plunger Assembly	FJ7233-25
20	Overhead Switch Assembly	FJ7108-2	49	Spring	FC134-9-7
21	Safety Switch Bracket	FJ7108-7-2	50	Ball Handle	FC134-9-10
22	High Step Adapter	FJ671-1	51	Clevis Pin	FJ7233-22
23	Low Step Adapter	FJ671-2	52	1/8" x 1" Cotter Pin	8 REQ'D
24	Adapter Pin	FJ671-3	53	Left Hand Arm Restraint **	FJ7516
24a	3/32" Hog Ring For 1/2" Shaft	FJ671-6		Right Hand Arm Restraint **	FJ7517
25	Swivel Pin	FJ671-5	54	Optional High Step Rubber Pad Adapter@	FJ698
26	Foam Tape	FJ761-4	55	Optional Truck and Van Adapter@	FJ696
27	Slider Block	FJ7236			

* Adapter Assembly Includes Items 19, 22-25

@ Order 4 per lift.

** Arm Restraint Assembly Includes Items 46-52

OWNERS RECORD

Complete information at right and keep in a safe place.

Date Installed _____
 Installed in Bay # _____
 Std. Serial # _____ P502
 3 ph. Serial # _____ P504
 Factory Order # L _____

IMPORTANT: When ordering parts always give exact model and power unit serial number. Model number is shown on nameplate attached to base angle. Serial number is located on side of power unit reservoir.

NOTE: For Replacement Parts -

Printed in USA 11 90 (R) 1000

PANZITTA SALES & SERVICE

72 George Avenue

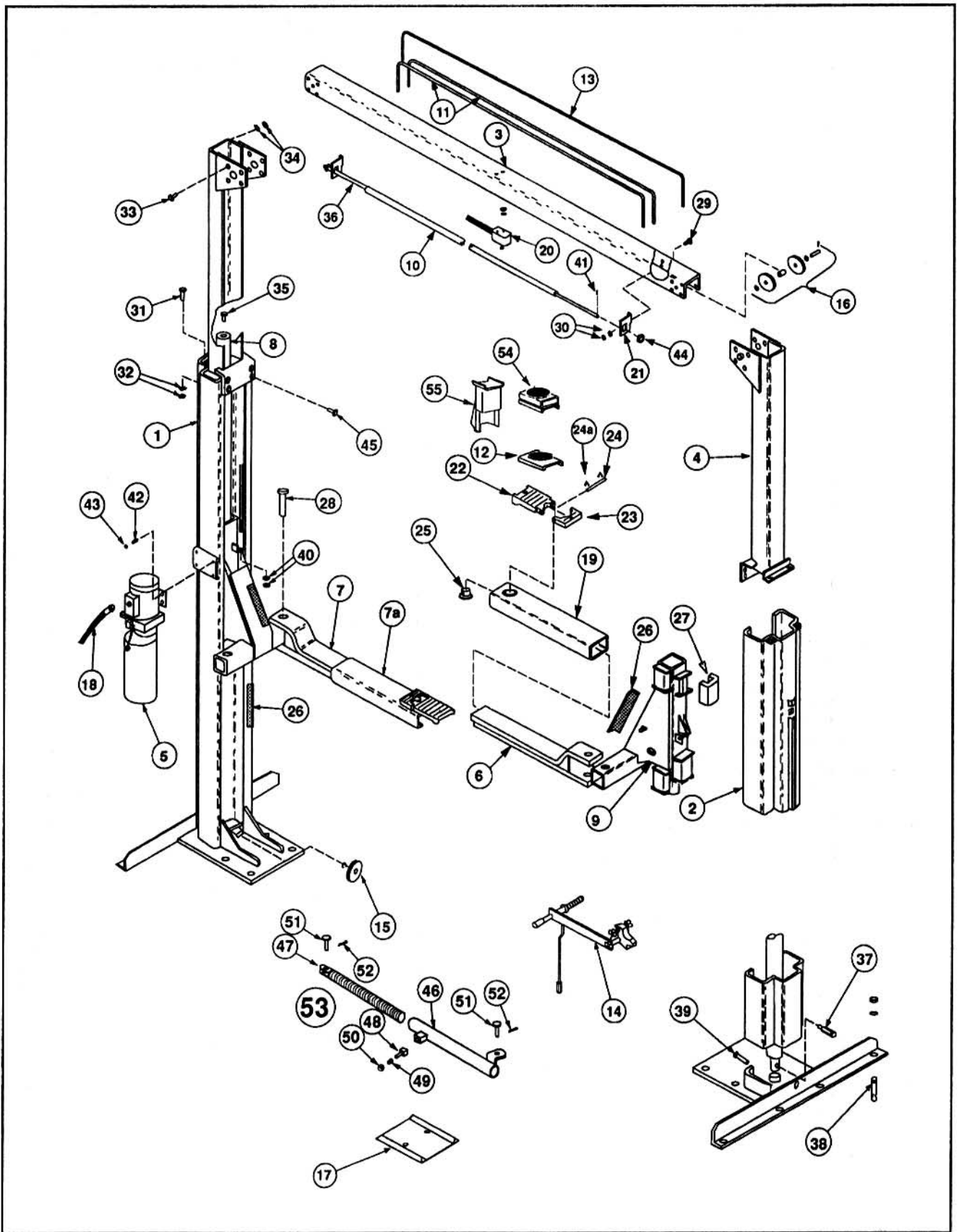
Wilkes-Barre, PA 18705

570-822-6720 800-822-6720

www.panzittasales.com

INDEX 2.2.1

Revised 11-90



ROTARY LIFT
 A DOVER INDUSTRIES COMPANY
 INDEX 2.2.1

PANZITTA SALES & SERVICE
 72 George Avenue
 Wilkes-Barre, PA 18705
 570-822-6720 800-822-6720
 www.panzittasales.com