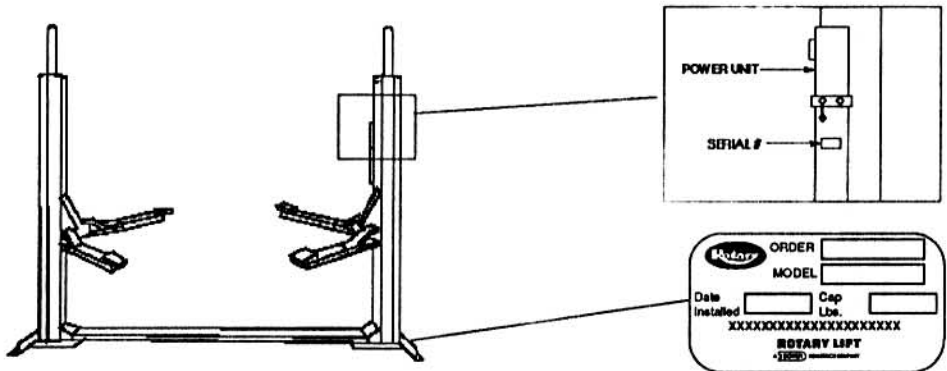


MODEL SP94 PARTS BREAKDOWN



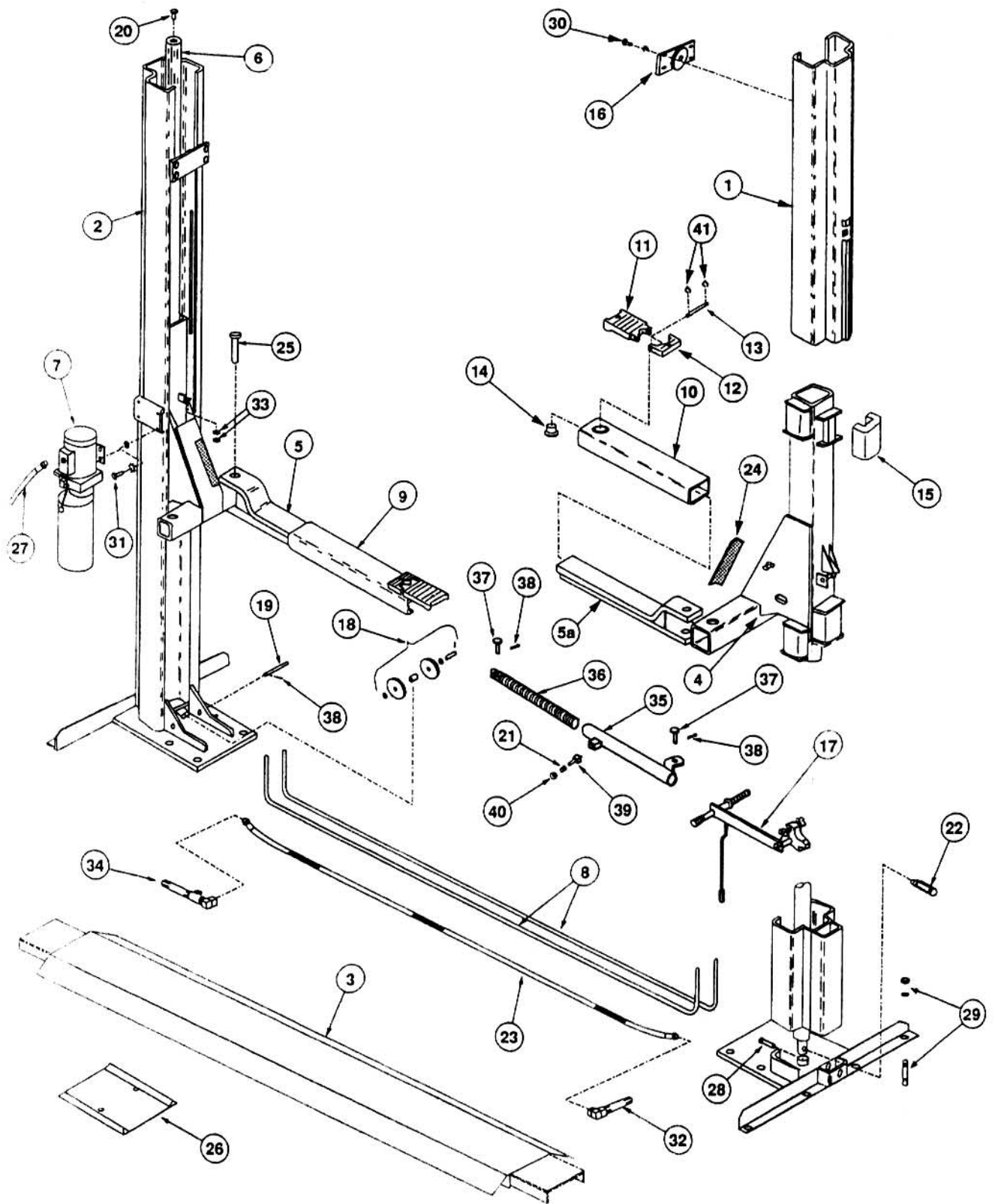
SP94 PARTS LIST					
ITEM NO.	DESCRIPTION	PART NO.	ITEM NO.	DESCRIPTION	PART NO.
1	L.H. Column	FJ7286	23	Floor Hose	FJ89
2	R.H. Column	FJ7287	24	Foam Tape	FJ761-4
3	Center Cover Plate	FJ7251	25	Arm Pin	FJ730-4
4	Carriage Yoke Assembly	FJ7265	26	Wheel Spotting Dish	FF729
5	Right - Handed Swinging Arm	FJ7229	27	Hose	FJ7191
5a	Left - Handed Swinging Arm	FJ7230	28	1/4"-20NC HHCS x 2" Grade 5	2 REQ'D
6	Hydraulic Cylinder	FJ7211	29	3/4" Concrete Anchor (16 Req;d)	FJ7380
7	Power Unit	P502	30	1/2"-13UNC x 1" Lg. HHCS & LW	8 REQ'D
8	Equalizer Cable	FJ7122	31	5/16"-3/4" Bolt, Ext Tooth LW & Nut	4 REQ'D
9	Adapter Assembly	FJ7213	32	L.H. Piping Assembly	FJ7215
10	Sliding Base	FJ7213-1	33	1/2"-13NC Hex Nut & Jam Nut	4 REQ'D
11	High Step Adapter	FJ671-1	34	R.H. Piping Assembly	FJ7214
12	Low Step Adapter	FJ671-2	35	LF Outer Tube	FJ7233-7
13	Adapter Pin	FJ671-3		RF Outer Tube	FJ7233-11
14	Swivel Pin	FJ671-5		RR Outer Tube	FJ7233-7
15	Slider Block	FJ7236		LR Outer Tube	FJ7233-11
16	Upper Sheave Assembly	FJ7116	36	Rod	FJ72333-27
17	Locking Latch Kit	FJ748	37	Clevis Pin	FJ7233-22
18	Sheave Kit	FJ7237	38	1/8" x 1" Cotter Pin	8 REQ'D
19	Sheave Shaft	FJ719-12	39	Plunger	FJ7233-25
20	Bleeder Screw	2 REQ'D	40	Ball Handle	FC134-9-10
21	Spring	FC134-9-7	41	3/32" Hog Ring for 1/2" Shaft	FJ671-6
22	Cylinder Adapter	FJ741-7			

OWNERS RECORD

Complete information at right and keep in a safe place.

Date Installed _____/_____/_____
Installed In Bay # _____
Std. Serial # _____ P502
3 ph. Serial # _____ P504
Factory Order # L _____

IMPORTANT: When ordering parts or requesting service always give exact model and power unit serial number. Model number is shown on nameplate attached to base angle. Power unit serial number is located on side of power unit reservoir.



ROTARY LIFT

A **DOVER** INDUSTRIES COMPANY

INDEX 2.1.6

PANZITTA SALES & SERVICE

72 George Avenue

Wilkes-Barre, PA 18705

570-822-6720 800-822-6720

www.panzittasales.com