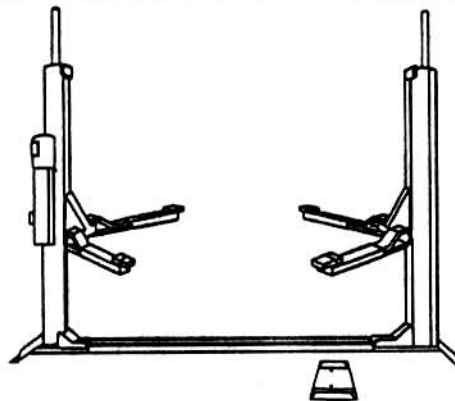


# ROTARY LIFT

P.O. Box 30205, Memphis, TN 38130  
WORLD LEADER IN LIFT SYSTEMS

A **DOVER** INDUSTRIES COMPANY

# MODEL SP80 / SP84 MK. I PARTS BREAKDOWN



SP80 / SP84 MK I REPLACEMENT PARTS

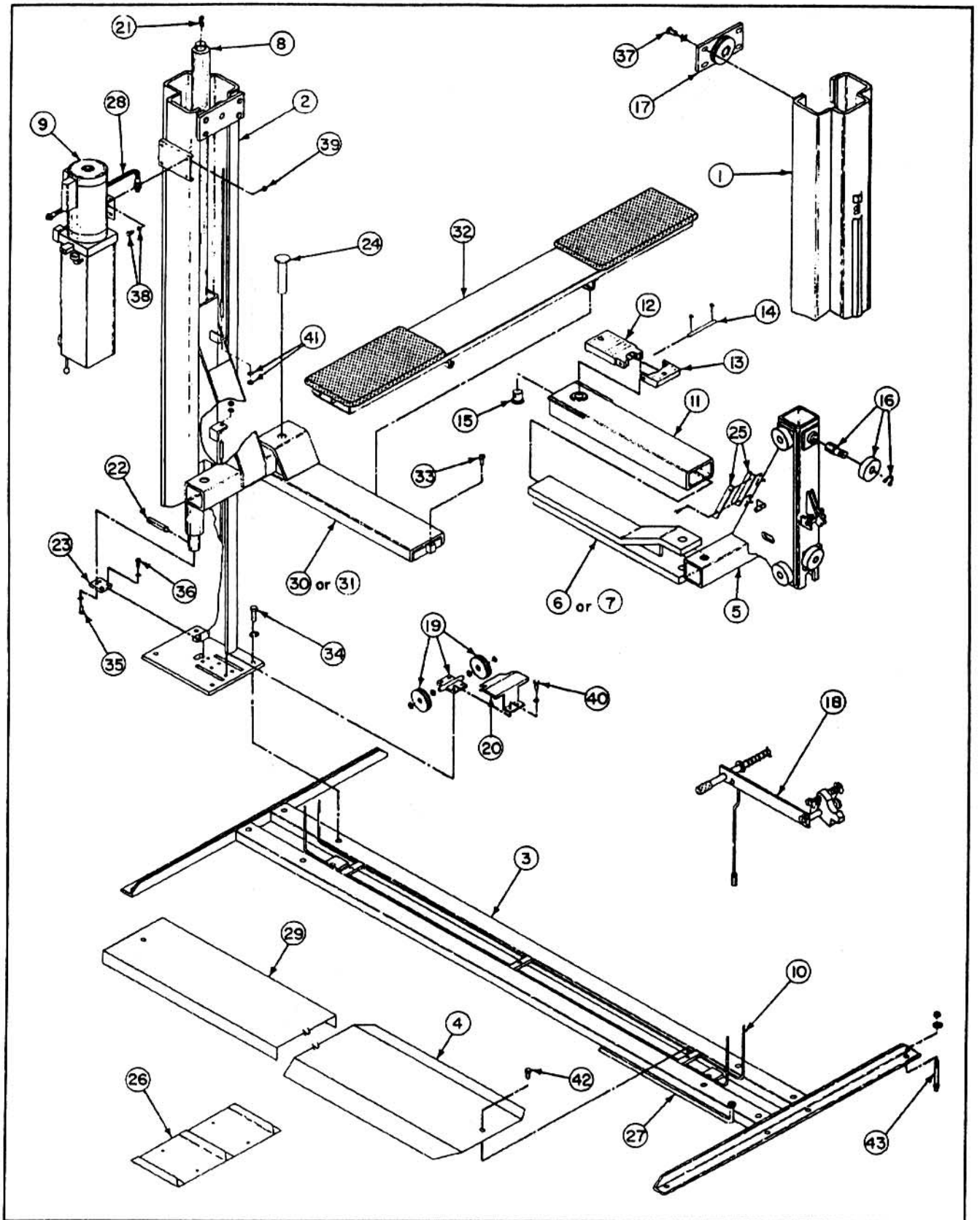
ITEM NO.	DESCRIPTION	ORIG. PART NO.	REP. PART NO.	ITEM NO.	DESCRIPTION	ORIG. PART NO.	REP. PART NO.
1	Right Hand Column	FJ746	NA	23	Cylinder Mounting Plate	FJ717-5	NA
2	Left Hand Column	FJ717	NA	24	Arm Pin	FJ730-4	FJ730-4
3	Lift Base	FJ716	NA	25	Replacement Bumper Kit	FJ751	FJ751
4	Base Cover (SP84)	FJ726	NA	26	Wheel Spotting Dish	FF714	FF729
5	Carriage Yoke	FJ721	NA	27	Tubing Assembly	FJ732-11	NA
6	Rear Swing Arm (SP84)	FJ730	NA	28	Hose (Stone)	FJ732-7	FJ732-7
7	Front Swing Arm (SP84)	FJ731	NA	29	Base Cover (SP80)	FJ740	NA
8	Hydraulic Cylinder	FJ720	FJ720	30	Right Hand Arm (SP80)	FJ737	NA
9	Power Unit (Stone)	P461	P461	31	Left Hand Arm (SP80)	FJ738	NA
10	Equalizer Cable	FJ719-1	FJ719-1	32	Pad & Support Assembly	FJ747	NA
11	Sliding Base (SP84)	FJ729-1	NA	33	3/8" - 16NC x 1" long socket hd. cap screw		
12	High Step Adapter (SP84)	FJ671-2	FJ671-2	34	3/4" - 10NC X 2" Lg. HHCS 3/4" Helical Spring Lock Washer		
13	Low Step Adapter (SP84)	FJ671-1	FJ671-1	35	3/8" - 16NC HHCS X 3/4" Lg. 3/8" External Tooth Lock Washer		
14	Adapter Pin (SP84)	FJ671-3	FJ671-3	36	3/8" - 16NC HHCS X 3/4" Lg. 3/8" External Tooth Lock Washer		
15	Adapter Swivel Pin (SP84)	FJ79-6	FJ79-6	37	1/2" - 13NC X 1" Lg. HHCS 1/2" Dished Lock Washer		
16	Replacement Bearing Kit	FJ749	FJ749	38	5/16" - 18NC X 3/4" Lg. HHCS 5/16" Wxternal Tooth Lock Washer		
17	Upper Sheave Assembly	FJ719-6	FJ719-6	39	5/16" Hex Nut		
18	Replacement Latch Kit	FJ748	FJ748	40	3/8" - 16NC HHCS X 3/4" 3/8" External Tooth Lock Washer		
19	Replacement Sheave Kit	FJ750	NA	41	1/2" - 13NC Hex Nut 1/2" - 13NC Hex Jam Nut		
20	Sheave Cover	FJ719-8	NA	42	3/8" - 16 NC X 1/2" Lg. HHCS 3/8" External Tooth Lock Washer		
21	Bleeder	JX207	JX207	43	Anchor Bolt	Kwik - Bolt 34-512	Woj-R #3445
22	Cylinder Adapter	FJ732-1	NA				

## OWNERS RECORD

Complete information at right and keep in a safe place.

Date Installed     /    /      
 Installed in Bay #       
 Std. Serial #      P461  
 3 ph. Serial #      P486  
 Factory Order # L

**IMPORTANT:** When ordering parts always give exact model and serial number. Model number is shown on nameplate attached to column. Power unit serial number is located on side of reservoir.



**ROTARY LIFT**

A **DOVER** INDUSTRIES COMPANY

INDEX 2.1.3

**PANZITTA SALES & SERVICE**

72 George Avenue

Wilkes-Barre, PA 18705

570-822-6720 800-822-6720

[www.panzittasales.com](http://www.panzittasales.com)