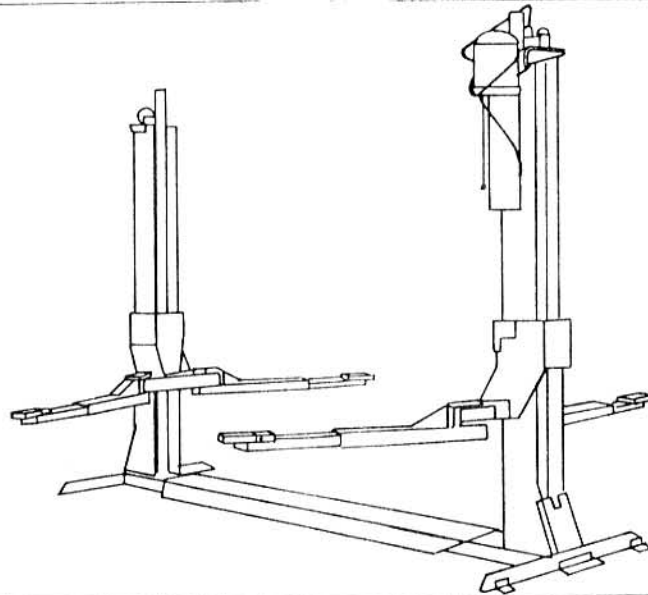


ROTARY LIFT

P.O. Box 30205, Memphis, TN 38130
 WORLD LEADER IN LIFT SYSTEMS

A **DOVER** INDUSTRIES COMPANY

MODEL SP74 PARTS BREAKDOWN

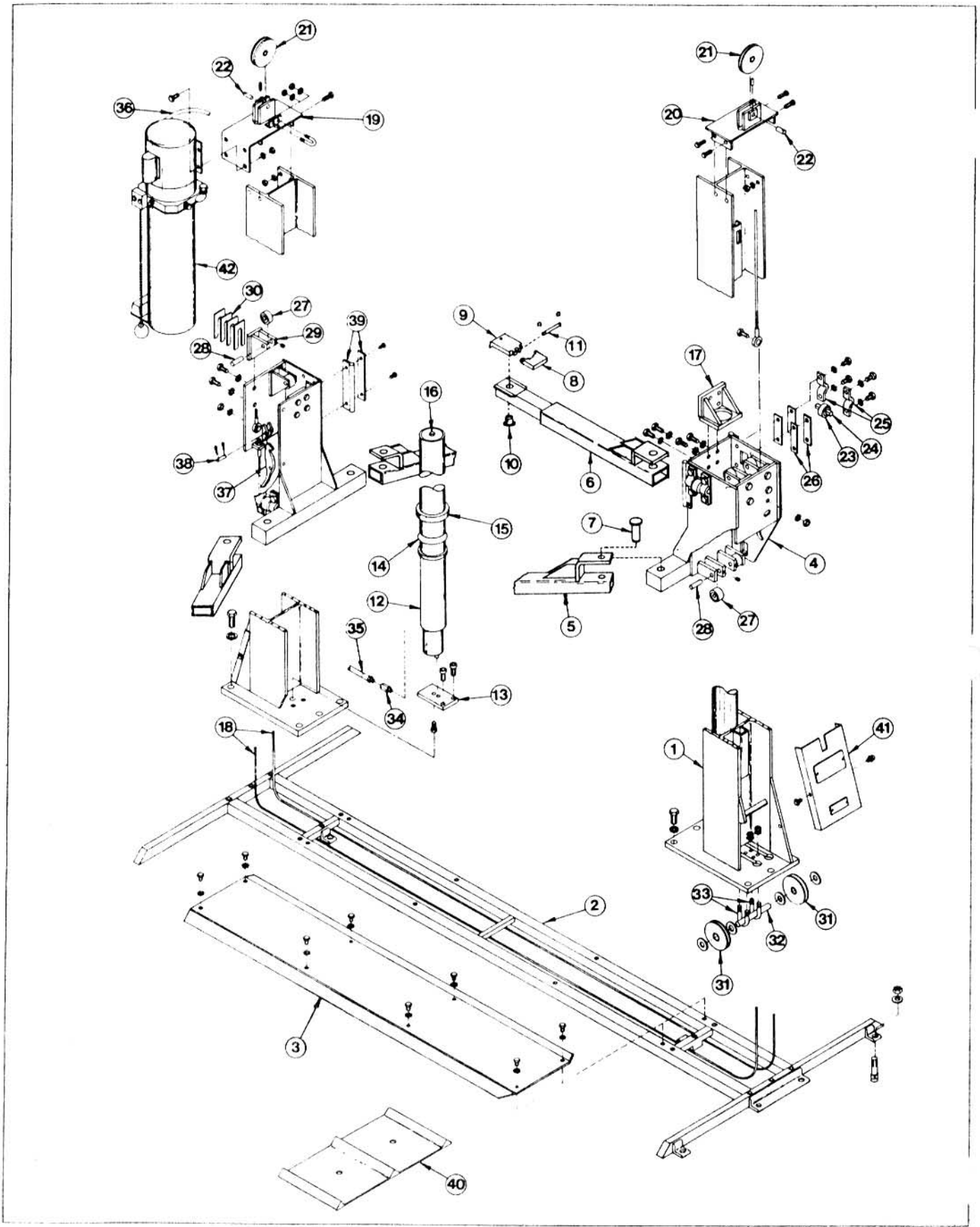


SP74 PARTS LIST

Manufacture began in 1977

ITEM NO.	PART NO.	REP. PART NO.	DESCRIPTION	QTY.	ITEM NO.	PART NO.	REP. PART NO.	DESCRIPTION	QTY.
1	FJ71	N/A	Column Assembly	2	23	FJ72-8-2	N/A	2" Dia. Roller	8
2	FJ70	N/A	Base	1	24	FJ72-8-1	FJ72-8-1	Roller Shaft	8
3	FJ711	N/A	Base Cover	1	25	FJ72-7	FJ72-7	Outside Roller Bracket	16
4	FJ78	N/A	Carrriage Assembly	2	26	FJ72-9 & FJ72-12	FJ72-9 & FJ72-12	Shims (-.9,030";-.12,060")	vary
5	FJ710	N/A	Rear Arm Assembly	2					
6	FJ79	N/A	Front Arm Assembly	2	27	FJ72-2-3	N/A	1 3/4" Dia. Roller	8
7	FJ79-5	N/A	Arm Pin	4	28	FJ72-2-2	FJ72-2-2	Roller Pin	8
8	FJ671-2	FJ671-2	Adapter Low Step	4	29	FJ72-2-1	N/A	Roller Bracket	4
9	FJ671-1	FJ671-1	Adapter High Step	4	30	FJ72-3	N/A	Roller Bracket Shim	vary
10	FJ79-6	FJ79-6	Adapter Swivel Pin	4	31	FJ73-4	FJ73-4	Lower Sheave	4
11	FJ671-3	FJ671-3	Pin & Clips	4	32	FJ73-6	FJ73-6	Lower Sheave Pin	2
12	FJ76	N/A	Cylinder	2	33	FJ73-5	N/A	Sheave "U" Bolt	4
13	FJ71-4	FJ71-4	Cylinder Mounting Plate	2	34	FJ75-2	N/A	Cylinder Hose Adapter	2
14	FJ72-6	FJ72-6	Lower Bearing	2	35	FJ75-1	FJ75-1	Hose (Cylinder)	2
15	FJ72-10	FJ72-10	Upper Bearing	2	36	FJ75-3	FJ75-3	Hose (Power Unit)	1
16	JX207	JX207	Bleeder Plug	2	37	FJ72-1-1-10	FJ72-1-1-10	Safety Latch	2
17	FJ72-5	N/A	Support Bracket	2	38	FJ72-1-1-11-1	FJ72-1-1-11-1	Safety Latch Pin	2
18	FJ73-1	FJ73-1	Cable Assembly	2	39	FJ72-11	N/A	Bumper	4
19	FJ73-3-1	N/A	Sheave & Power Unit Bracket	1	40	FF714	JJ729	Wheel Dish	1
20	FJ73-2-1	N/A	Sheave Bracket	1	41	FJ71-5	N/A	Sheave Cover	2
21	FJ73-2-2	N/A	Upper Sheave	2	42	P441	P461	Power Unit	1
22	FJ73-2-3	N/A	Upper Sheave Pin	2					

IMPORTANT: When ordering parts always give exact model and jack serial number. Model number is shown on nameplate attached to coverplate. Jack serial number is located on side of plunger at point of attachment to superstructure.



PANZITTA SALES & SERVICE
72 George Avenue
Wilkes-Barre, PA 18705
570-822-6720 800-822-6720
www.panzittasales.com