

ROBINAIR

Model 34788

Recovery/Recycling/Recharging Unit



Shown: Model 34788

PANZITTA SALES & SERVICE
72 George Avenue
Wilkes-Barre, PA 18705
570-822-6720 800-822-6720
www.panzittasales.com

Associated Models Include: Matco (H234788), MAC (AC34788), and Cornwell (RA-C34788) Branded Units.

2

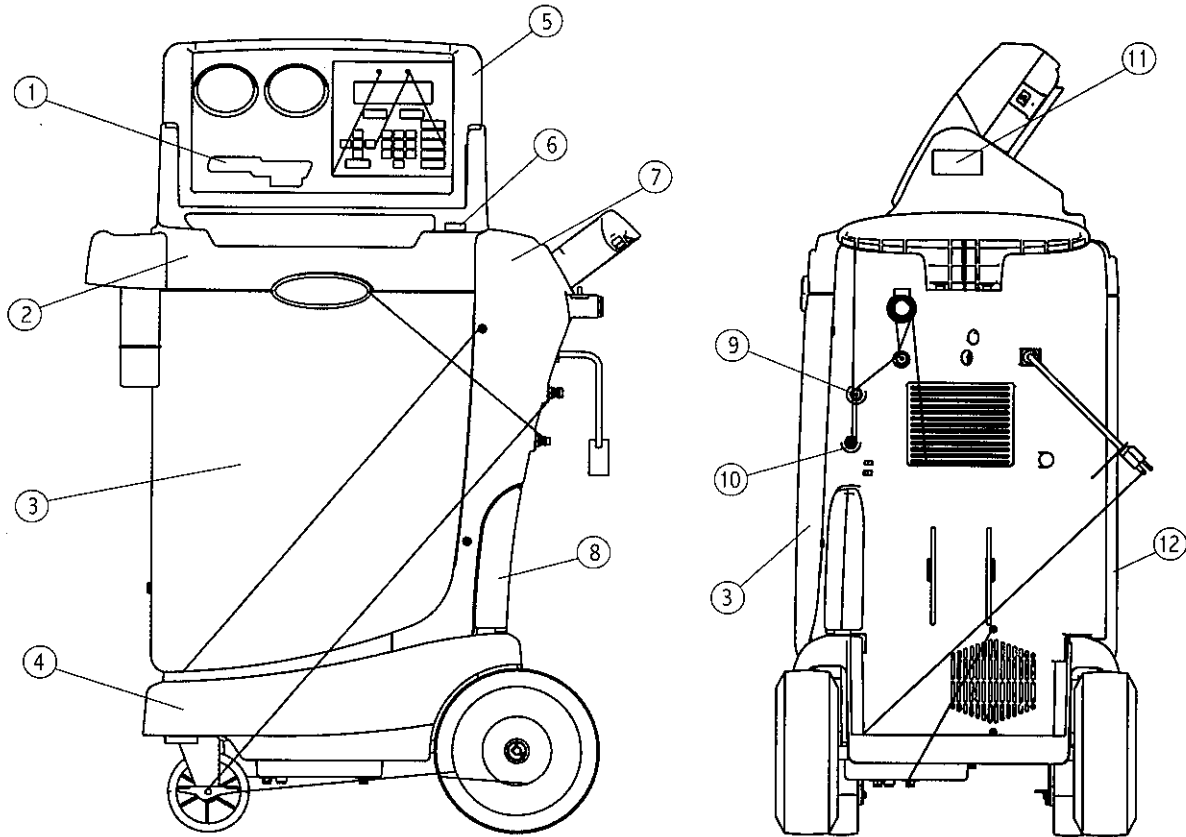
34788 External Parts	16
34788 Internal Parts	18
Component Assemblies	20
34788 Head Assembly	20
34788 Head Assembly-Exploded View	21
Station Pump Assembly, 115V	22
Compressor Assembly, 115V	23
34788 Manifold Assembly	24
Internal Tank Assembly	26
Plumbing Diagram and Parts List	27
34788 Main Component Descriptions	28
Alphabetical Parts List	30

Disclosure:

Although most parts are listed, some part numbers are part of an assembly available only to manufacturing.

Information and part numbers contained in this publication were accurate at the time it was written. Any discrepancies should be brought to the attention of Robinair Technical Support.

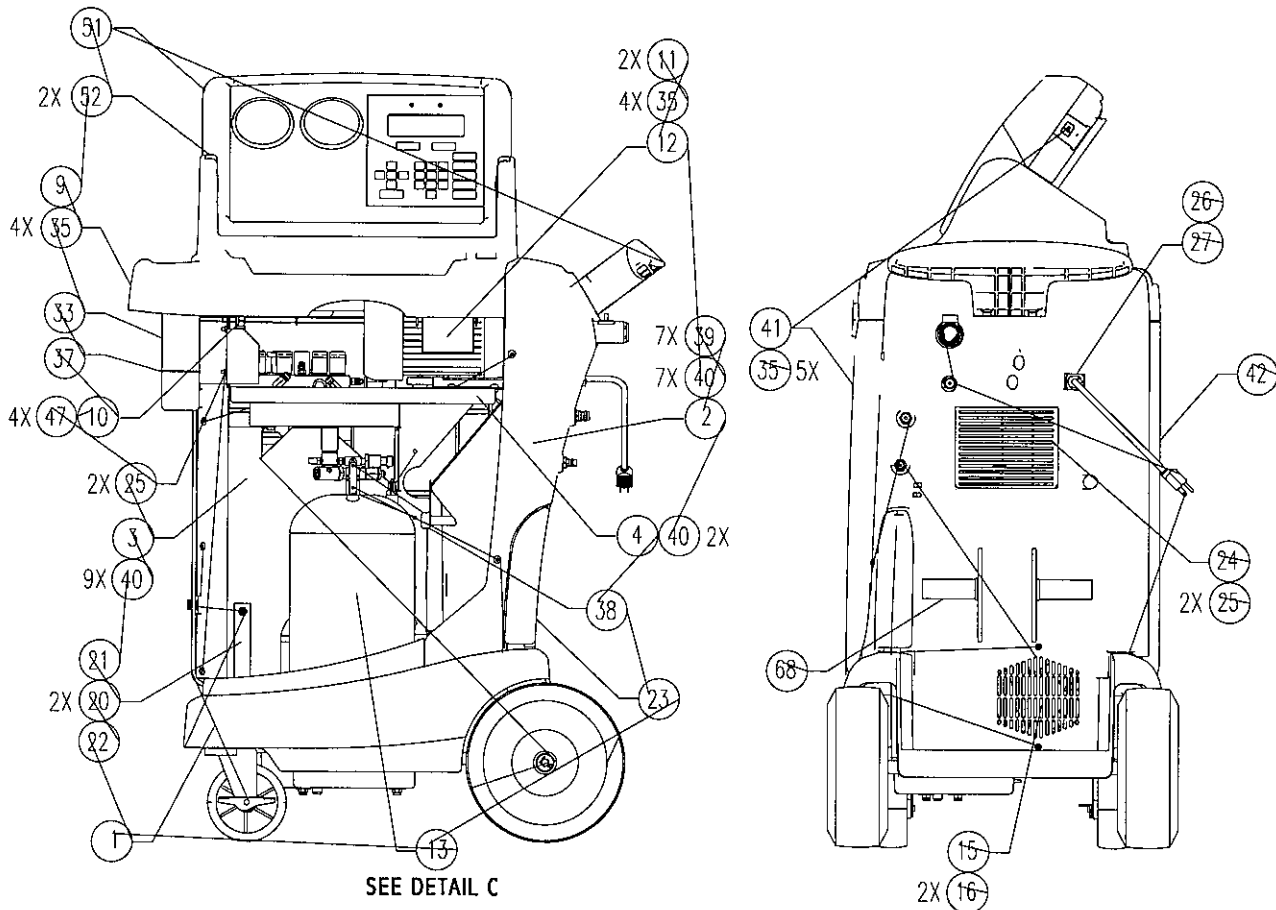
34788 EXTERNAL PARTS



34788 EXTERNAL PARTS			
No.	Description	Qty.	Part No.
1	DECAL, FRONT, 34788	1	
2	ENCLOSURE, HEAD-SHOULDER	1	
3	FRONT PANEL	1	122293
4	BASE ASSEMBLY	1	122206
5	HEAD ASSEMBLY	1	
6	POWER SWITCH	1	RA19343
7	SIDE SUPPORT ASSEMBLY	9	539750
8	OIL DRAIN BOTTLE	1	17756
9	HIGH SIDE HOSE SPUD	1	
10	LOW SIDE HOSE SPUD	1	
11	DECAL, 1-800 PHONE NUMBER	1	
12	REAR DOOR	1	121575

PANZITTA SALES & SERVICE
72 George Avenue
Wilkes-Barre, PA 18705
570-822-6720 800-822-6720
www.panzittasales.com

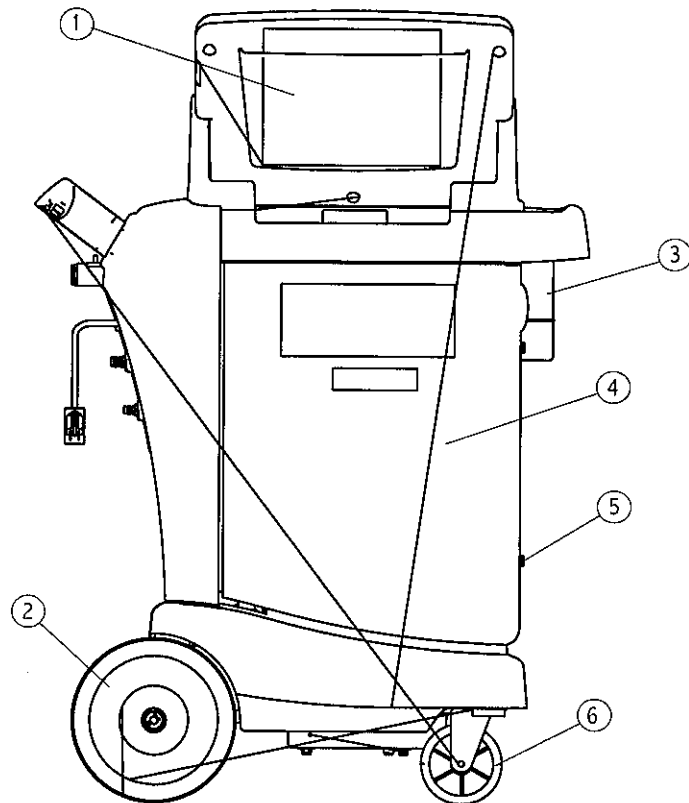
34788 INTERNAL PARTS



34788 UNIT COMPONENTS			
No.	Description	Qty.	Part No.
1	BASE ASSY	1	122206
2	ASSY, SIDE SUPPORT	1	539750
3	CENTER DIVIDER	1	
4	SHELF, VACUUM PUMP	1	
5	SCALE ASSEMBLY & MAGNET	1	RA20002
6	GROMMET, COMPRESSOR	4	
7	COMPRESSOR, ASSEMBLY, 115V	1	RA20020
8	MANIFOLD, ASSEMBLY,	1	RA20018
9	ENCLOSURE, HEAD-SHOULDER	1	
10	PCB ASSEMBLY, RELAY BRD	1	RA20013
11	BRACKET, PUMP MOUNTING	2	
12	STATION PUMP, 115V, 3CFM	1	RA20017
13	ISV ASSEMBLY	1	
14	BOLT, 1/4-20 X 1/2"	2	
15	FAN ASSEMBLY, 115V	1	RA17416
16	SCREW, 10-24 X 5.8"	2	

34788 UNIT COMPONENTS			
No.	Description	Qty.	Part No.
17	SLEEVE, COMPRESSOR	1	
18	WASHER, 1/4" ID FENDER	12	
19	BOLT, 1/4-20 X 2" SERR HEAR	4	
20	LOCKNUT, 1/4-20	10	
21	STABILIZER BRACKET	1	
22	BOLT, 1/4-20 X 1.5"	1	
23	BOTTLE, OIL DRAIN	1	17756
24	PANEL, CONDENSER COVER	1	
25	NUT, 8-32 SEMS	6	
26	BRACKET, POWER CORD	4	
27	BUSHING, HEYCO	1	
28	BRACKET, CAPACITOR	1	
29	CAPACITOR, 115V COMP.	1	
30	CAP, 38MM METAL DRILLED	1	
31	NUT, NYLON	1	
32	FITTING, STRAIGHT THRU	1	

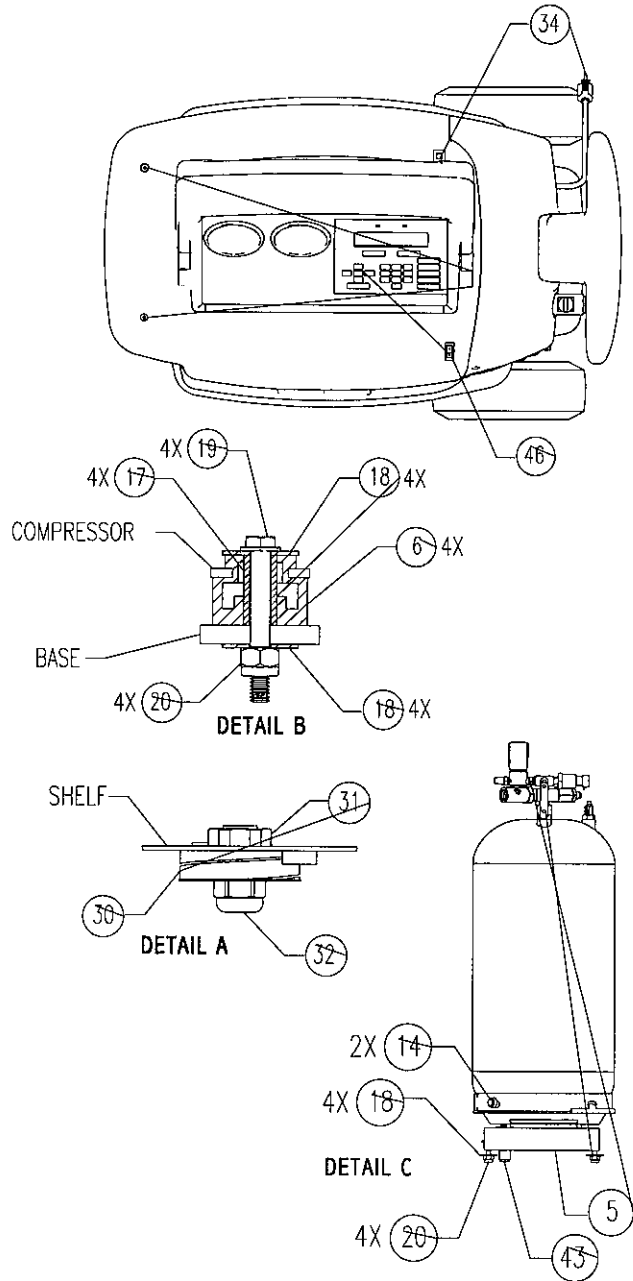
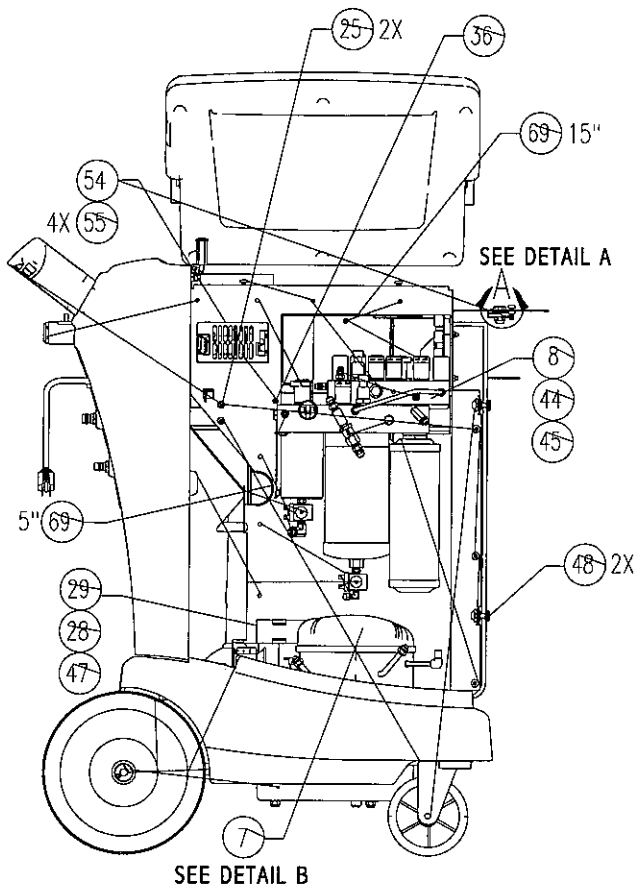
NOTE: The above parts listing may refer to parts located on unit diagrams on following page.



34788 EXTERNAL PARTS

No.	Description	Qty.	Part No.
1	OPERATOR'S MANUAL	1	539602
2	WHEEL, PNEUMATIC, 10"	2	19823
3	OIL INJECT BOTTLE	1	19867
4	REAR DOOR	1	121575
5	DOOR LATCH KIT	2	RA19632
6	CASTER, 5" DIA X 2" WIDE	2	RA19631

PANZITTA SALES & SERVICE
72 George Avenue
Wilkes-Barre, PA 18705
570-822-6720 800-822-6720
www.panzittasales.com

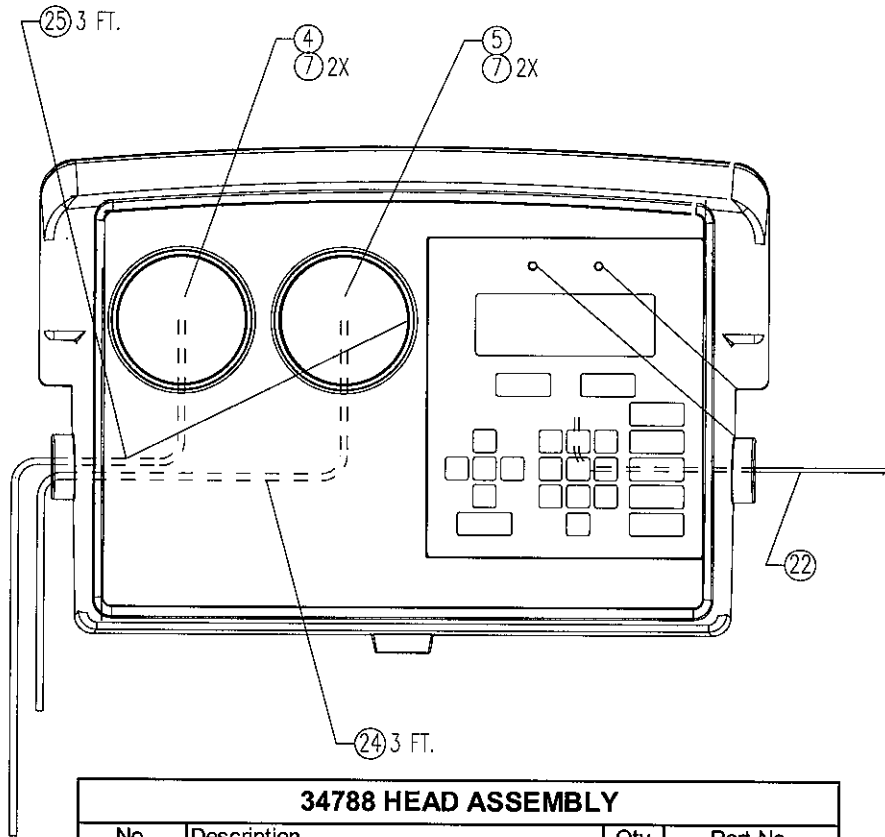


34788 UNIT COMPONENTS			
No.	Description	Qty.	Part No.
33	BOTTLE, OIL INJECT	1	19867
34	CIRCUIT BREAKER, 15 AMP	1	518638
35	SCREW, 1/4\"-20 X 3.4"	13	
36	SCREW, 8-32 X 3/8 SEMS	1	
37	"O" RING	1	
38	RUBBER BUMPER	1	
39	WASHER, 1/4" FLAT	7	
40	SCREW, 1/4 X 3/4" PLASTITE	18	
41	FRONT PANEL ASSEMBLY	1	122293
42	DOOR, REAR	1	121575
43	MAGNET (PART OF SCALE ASSY)	1	RA20002
44	SCREW, 1/4 -20 X 3.5 LONG	1	
45	SCREW, 1/4-20 X 1 1/2" LONG	1	
46	SWITCH, DPST (I/O)	1	RA19343
47	SCREW, 6-32 X 3/8	5	
48	DOOR LATCH KIT	2	RA19631

34788 UNIT COMPONENTS			
No.	Description	Qty.	Part No.
51	HEAD ASSEMBLY, 34788	1	
52	ENCLOSURE, HEAD-HINGE COVER	2	
54	POWER SUPPLY, 12 VOLT	1	RA20014
55	SCREW, SOCKET HD CAP M3-.5 X 5	4	

NOTE: The above parts listing may refer to parts located on unit diagrams on previous page.

COMPONENT ASSEMBLIES



34788 HEAD ASSEMBLY

No.	Description	Qty	Part No.
1	ENCLOSURE, SWIVEL TOP-FRONT	1	
2	DECAL, FRONT, 34788	1	
3	SCREW, MACH 6-32 X .188	6	
4	GAUGE, LOW SIDE	1	539955
5	GAUGE, HIGH SIDE	1	539956
6	ELBOW, 1/8 MP X 1/8 PNEUMATIC	2	
7	NUT, 10-32 HEX SEMS	4	
8	ENCLOSURE, SWIVEL TOP-BACK	1	
9	ENCLOSURE, SWIVEL TOP-POCKET	1	
10	PCB ASS'Y, SD CARD, NGEN RRR	1	RA20011
11	ENCLOSURE, SWIVEL TOP-SD COVER	1	
12	SCREW, THD FORM, 4-20, .50, PHD, PH	4	
13	SCREW, #6-19 X 1/2 EH TORX PLAST	6	
14	BEZEL	1	RA20001
15	KEYPAD	1	RA20001
16	PCB ASS'Y, DISPLAY/CONTROL BRD	1	RA20012
17	SCREW, 6-32 X 3/8	4	
22	CABLE, INTERCONNECT	1	539995
23	CABLE, SD BOARD	1	539996
24	TUBE, 1/8" RED	4'	RA20003
25	TUBE, 1/8" BLUE	4'	RA20004

PANZITTA SALES & SERVICE

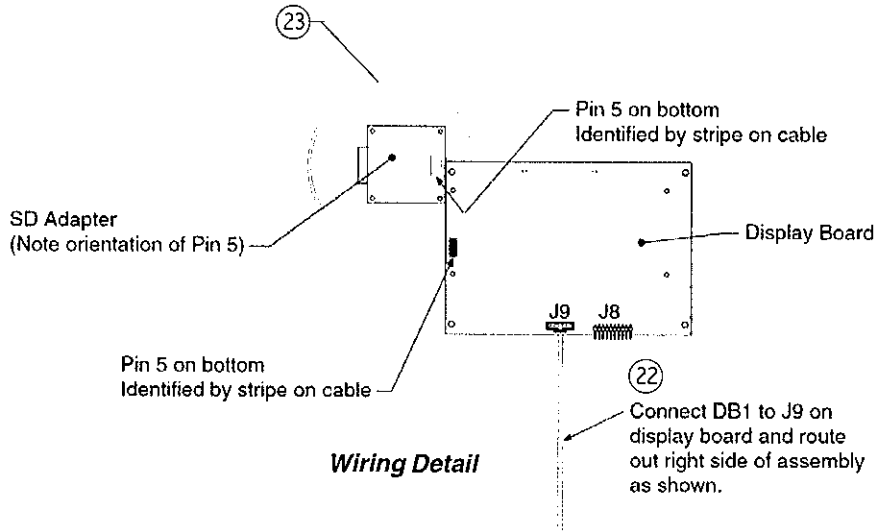
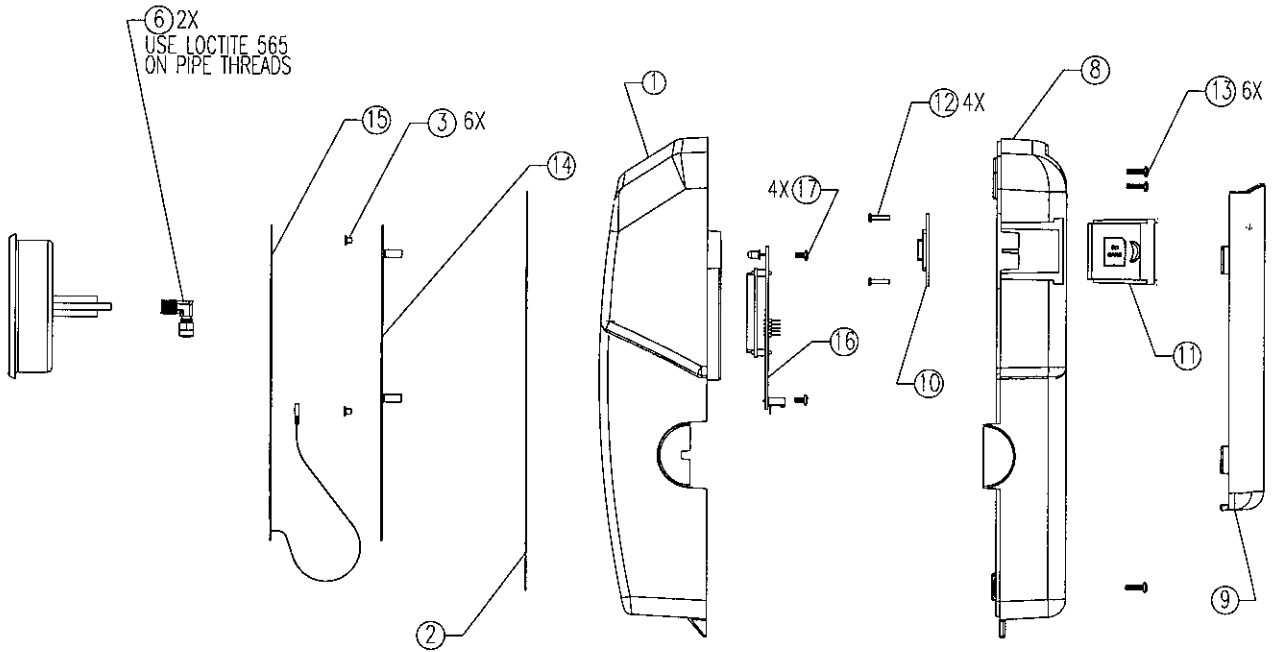
72 George Avenue

Wilkes-Barre, PA 18705

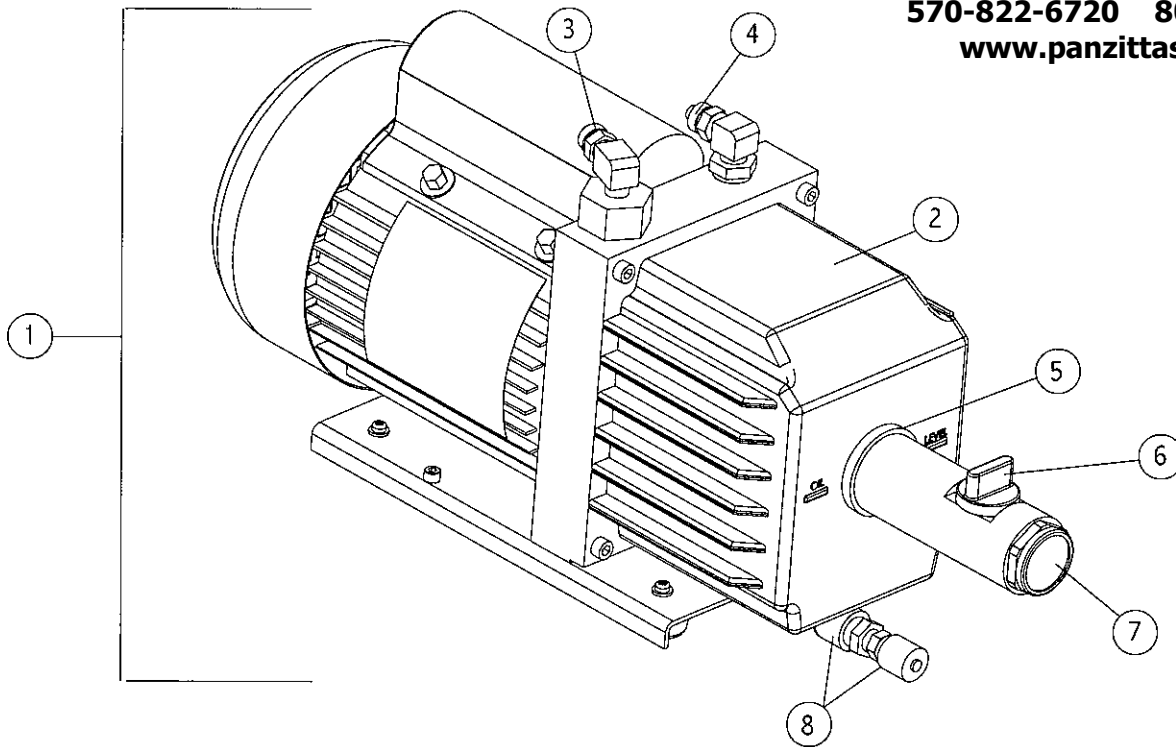
570-822-6720 800-822-6720

www.panzittasales.com

SPX ROBINAIR

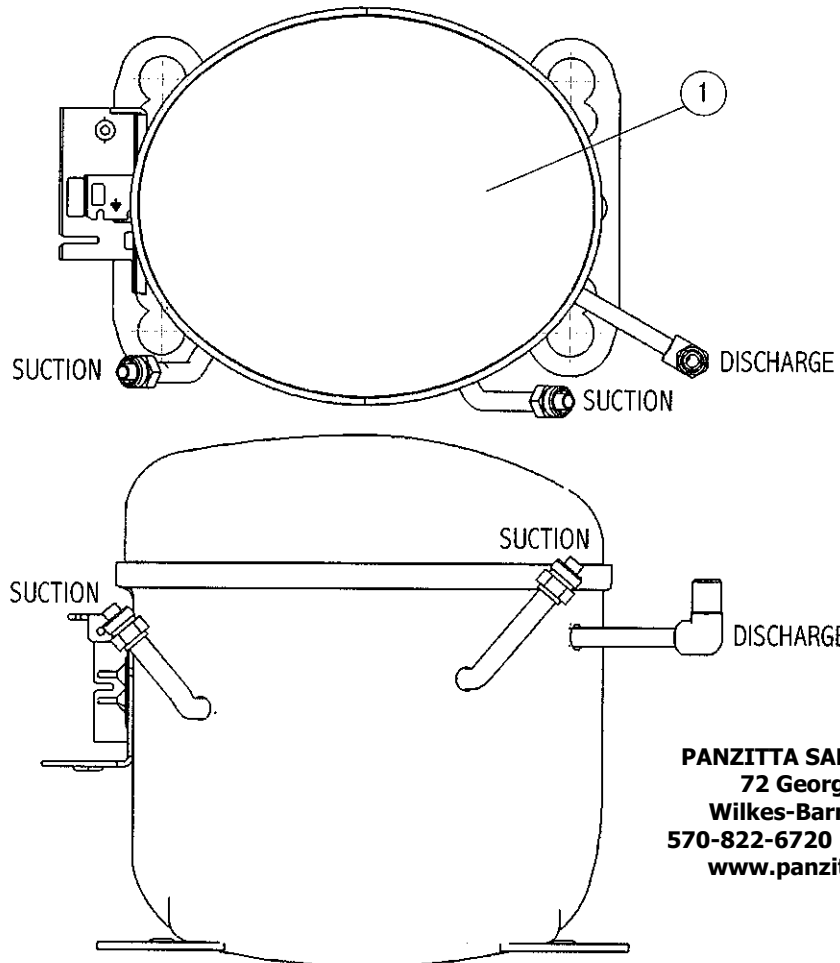


PANZITTA SALES & SERVICE
72 George Avenue
Wilkes-Barre, PA 18705
570-822-6720 800-822-6720
www.panzittasales.com



STATION PUMP ASSEMBLY, 115V			
No.	Description	Qty	Part No.
1	STATION PUMP ASSEMBLY	1	RA20017
2	RESERVOIR ASSEMBLY	1	RA19950
3	BRASS DISCHARGE FITTING *	1	
4	BRASS INLET FITTING *	1	
5	SIGHT GLASS NUT *	1	
6	OIL FILL PLUG *	1	
7	SIGHT GLASS ASSEMBLY W/O-RING *	1	
8	OIL DRAIN ASSEMBLY W/CAP *	1	

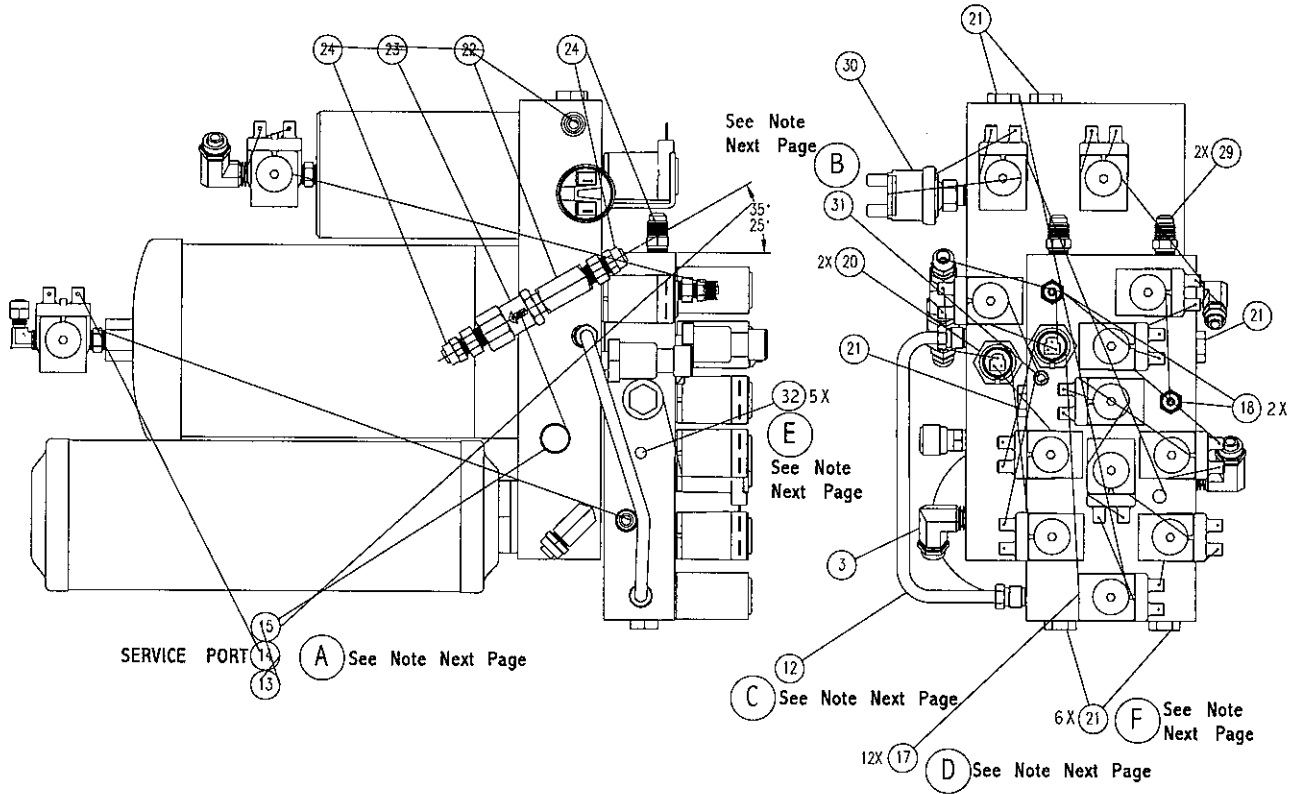
* Items followed by an asterisk are part of the Reservoir Assembly Kit (RA19950) and are not sold separately.



PANZITTA SALES & SERVICE
 72 George Avenue
 Wilkes-Barre, PA 18705
 570-822-6720 800-822-6720
www.panzittasales.com

COMPRESSOR ASSEMBLY, 115V			
No.	Description	Qty	Part No.
1	COMPRESSOR, 115V	1	RA20020
	RELAY	1	INC
	PROTECTOR	1	INC
	CAPACITOR	1	INC
	COVER	1	INC
	BAIL	1	INC
	BRACKETS	1	INC
	SCREW	1	INC
	SLEEVE	4	INC
	GROMMET	4	INC
	CAPACITOR WIRE	2	INC

PANZITTA SALES & SERVICE
72 George Avenue
Wilkes-Barre, PA 18705
570-822-6720 800-822-6720
www.panzittasales.com

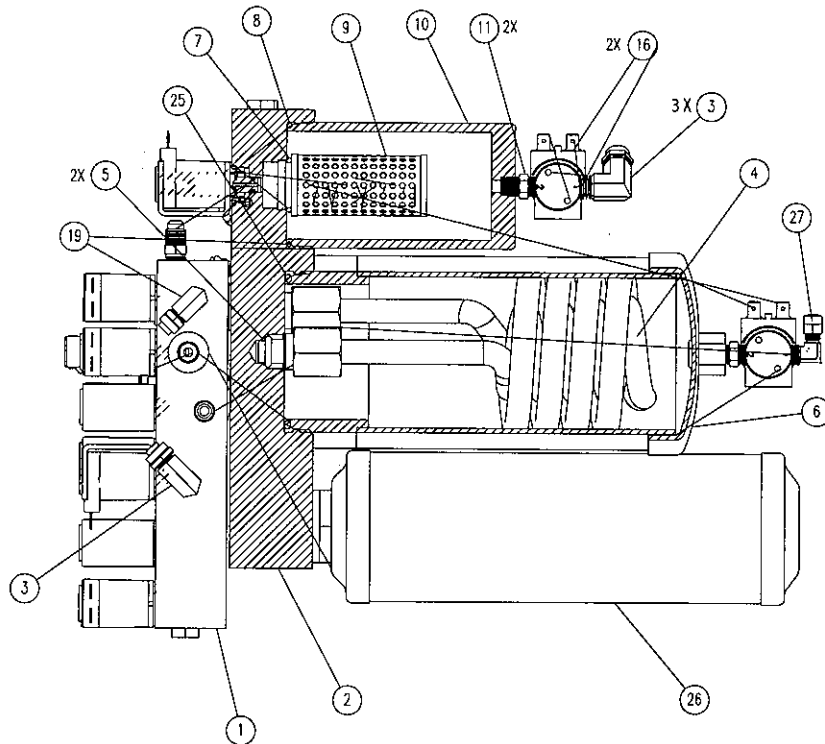


34788 MANIFOLD ASSEMBLY			
No.	Description	Qty.	Part No.
1	MANIFOLD BLOCK, TOP	1	
2	MANIFOLD BLOCK, LOWER	1	
3	ELBOW, 1/8 MP X 3/8 PNEU COMP	3	
4	HEAT EXCHANGER	1	
5	O-RING	2	
6	ACCUMULATOR SHELL	1	
7	O-RING, PKR #SB17-119-7N	1	
8	O-RING, PKR #SB17-143-7N	1	
9	SEPARATOR ELEMENT	1	
10	OIL SEPARATOR BOWL(1.5-3.0 IN LE	1	
11	UNION, 1/8 MP X 1/8 MP X .97	2	
12	TUBE, MANIFOLD CONN,(75 IN LBS)	1	
13	FITTING, 1/4 MFL X 1/8 NPTF	1	
14	SCHRADER CORE, (1.5-3.0 IN LBS)	1	
15	CAP, 1/4 FLARE W/ O-RING	1	

34788 MANIFOLD ASSEMBLY			
No.	Description	Qty.	Part No.
16	SOLENOID, 12V DC DISCRETE	2	RA20009
17	SOLENOID, 12V DC MAN,(75 IN LBS)	12	RA20010
18	NUT, COMPRESSION (1/8 TUBE)	2	RA20008
19	ELBOW, 1/8 NPTF X 1/4 COMP	1	
20	ACCUM TRANSDUCER	2	
21	CHECK VALVE, (75 IN LBS)	6	RA20016
22	TEE, MALE BRANCH 1/8 NPTF	1	
23	CHECK VALVE	1	RA20015
24	FITTING, 1/8 NPT X 1/4 COMP	2	
25	O-RING, C0873 2-240	1	
26	FILTER DRIER, SPIN-ON	1	34724
27	ELBOW, 1/8 MP X 1/8 PNEU	1	
29	FITTING, HALF UNION .12MP X .25 FL	2	
30	SWITCH, HIGH PRESSURE CUT-OUT	1	RA19427
31	SCREW, SOCKET, (30 IN LBS)	1	
32	BALL, MANIFOLD PLUG	5	

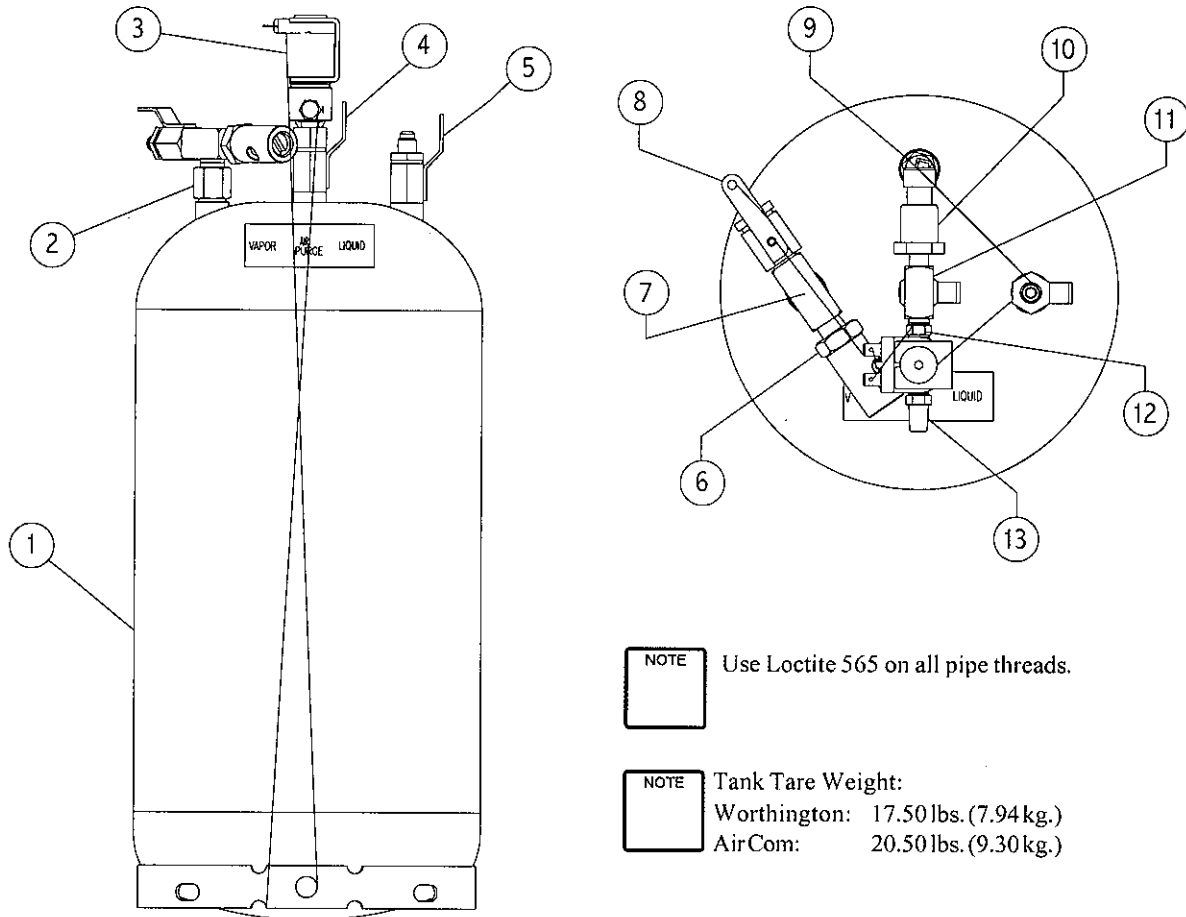
NOTE: The above parts listing may refer to manifold parts on following page.

PANZITTA SALES & SERVICE
 72 George Avenue
 Wilkes-Barre, PA 18705
 570-822-6720 800-822-6720
 www.panzittasales.com

**NOTE**

- A. Torque Schrader Core (item 14) to 1.5-3.0 IN. LBS.
- B. Torque to 30 IN LBS ± 5 .
- C. Apply Loctite 242 to threads of Manifold Connection Tube (item 12) and torque to 75 IN. LBS.
- D. Torque Manifold Solenoid (item 17) to manifold with 75 IN. LBS. ± 5 . Torque Fastener to 30 IN LBS ± 5 .
- E. Press flush $\pm .030$ with surface.
- F. Torque Checkvalve (item 21) to 75 IN. LBS. (6 places)
- G. Use (Loctite 565) on all pipe threads.
- H. Lubricate all O-rings on components before assembling.

NOTE: The above notes may refer to the manifold diagram on previous page.

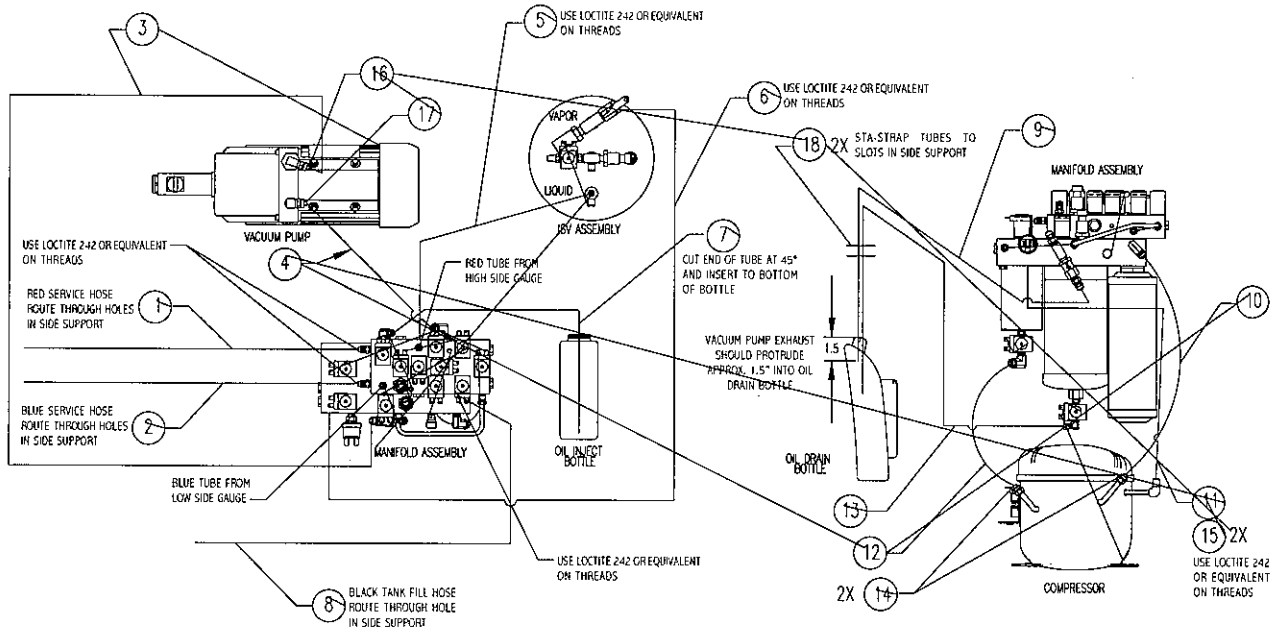


NOTE Use Loctite 565 on all pipe threads.

NOTE Tank Tare Weight:
 Worthington: 17.50 lbs. (7.94 kg.)
 AirCom: 20.50 lbs. (9.30 kg.)

ISV ASSEMBLY			
No.	Description	Qty	Part No.
1	ISV, INTERNAL	1	539477
2	FITTING, STRAIGHT	1	210312
3	SOLENOID, 12V DC DISCRETE	1	RA20009
4	VALVE, BALL	1	539799
5	VALVE, BALL	1	539798
6	PRESSURE RELIEF, 450PSI	1	RA19499
7	FITTING, TEE, .25FP X .25FP X .25MP	1	508690
8	VALVE, BALL	1	540322
9	TEMPERATURE PROBE	1	539472
10	TRANSDUCER, AIR PURGE	1	539229
11	TEE, MALE BRANCH 1/8 NPTF	1	539654
12	ORIFICE, UNION .026	1	539804
13	MUFFLER, AIR EXHAUST	1	519605

PLUMBING DIAGRAM



Plumbing Diagram Parts List

No.	Description	Qty.	Part No.
1 & 2	HOSE SET, SERV (HI & LOW-SIDE)	1	34722
3	TUBE, 1/4 OD X 0.040 ID	19"	120225
4	TUBE, 3/8" HIGH PRESSURE	16"	RA20005
5	HOSE, ISV LIQUID	1	541533
6	HOSE, VAPOR	1	539068
7	TUBE, 1/4 OD X 0.040 ID	23"	120225
8	HOSE, TANK FILL	1	539007
9	TUBE, 1/4 OD X 0.040 ID	28"	120225
10	TUBE, 3/8" HIGH PRESSURE	15"	RA20005
11	TUBE, COMPRESSOR TO MANIFOLD	1	538469
12	TUBE, 3/8" HIGH PRESSURE	12"	RA20005
13	TUBE, NYLON 1/8 OD X .070 ID	27"	121773
14	NUT, COMPRESSION (3/8 TUBE)	2	RA20006
15	O'RING (PKR #5-124) NEOPRENE	2	RA19916
16	NUT, COMPRESSION (1/4 TUBE)	1	RA20007
17	NUT, COMPRESSION (3/8 TUBE)	1	RA20006
18	STA-STRAP 8" LONE X .18"	2	

NOTE Item # RA20005 (tube, 3/8" high pressure) comes in a length of 1.5'. Cut hose to proper length as indicated in plumbing parts list.

PANZITTA SALES & SERVICE
 72 George Avenue
 Wilkes-Barre, PA 18705
 570-822-6720 800-822-6720
www.panzittasales.com