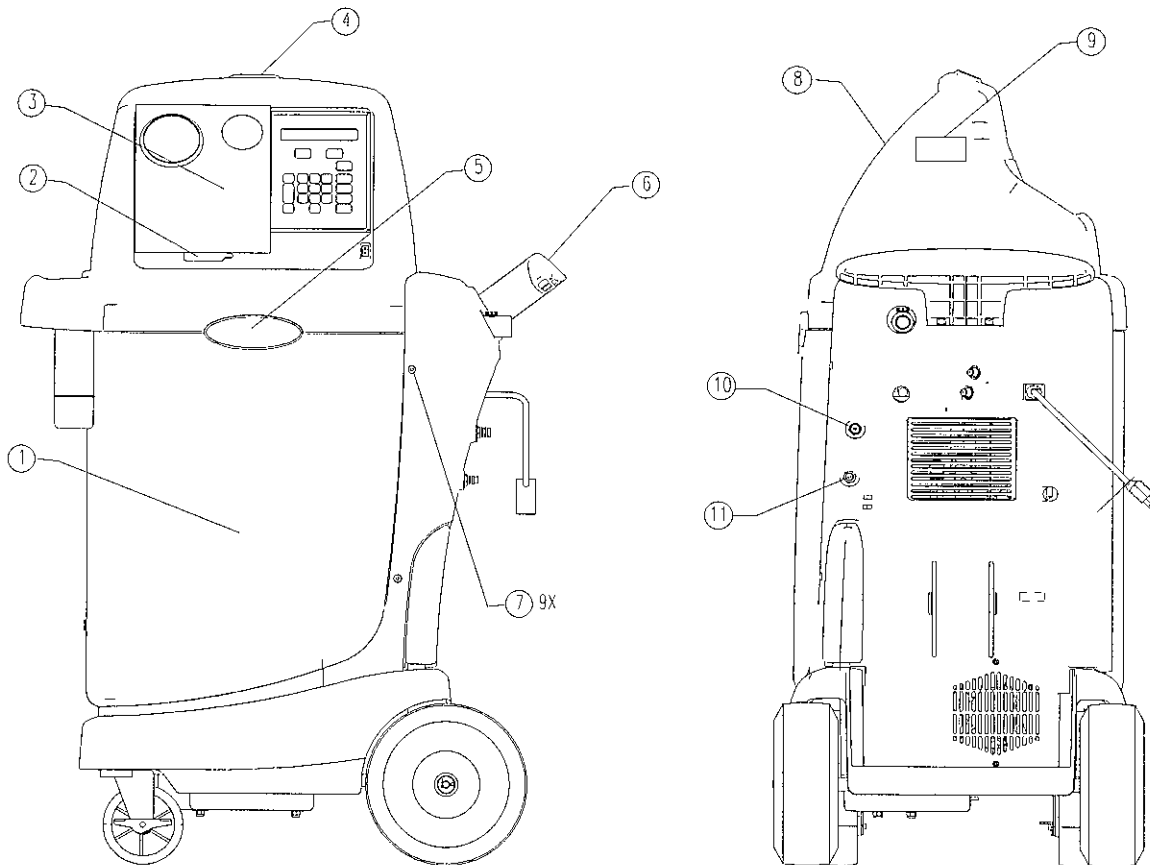
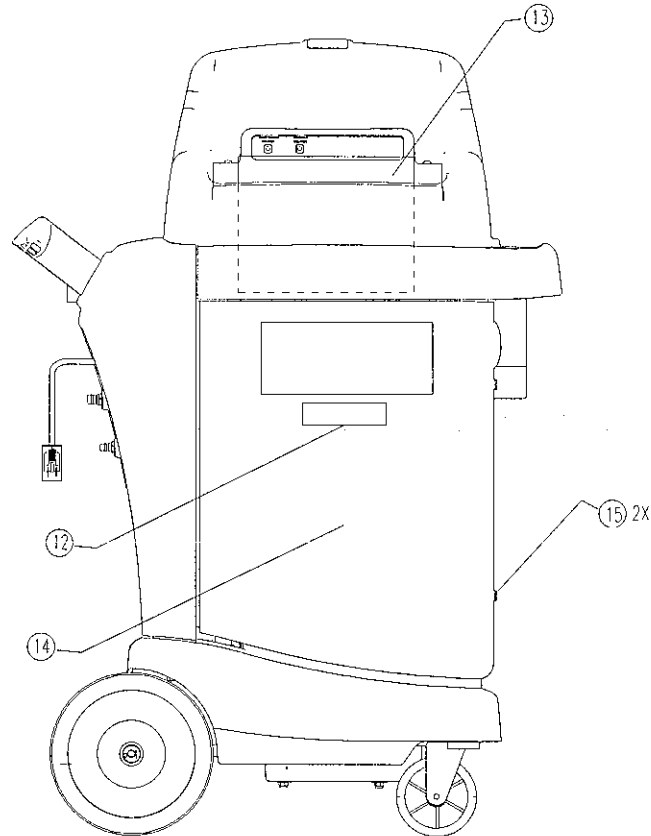


**700Z EXTERNAL PARTS**



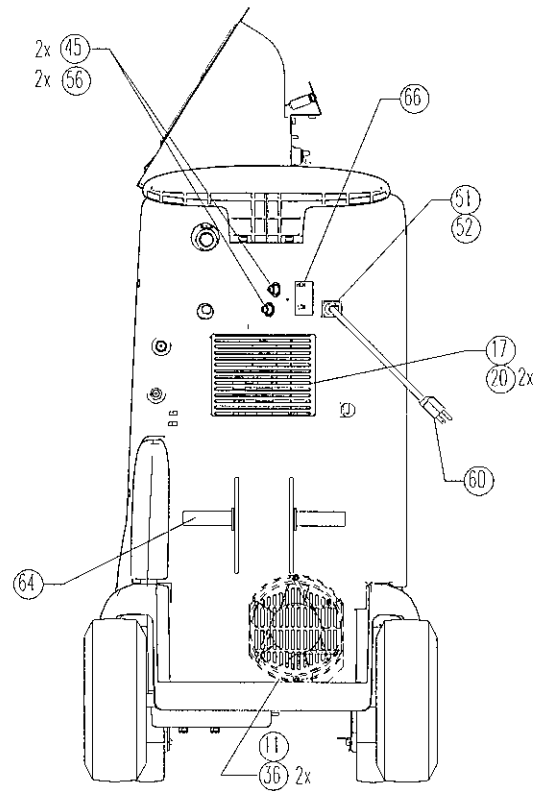
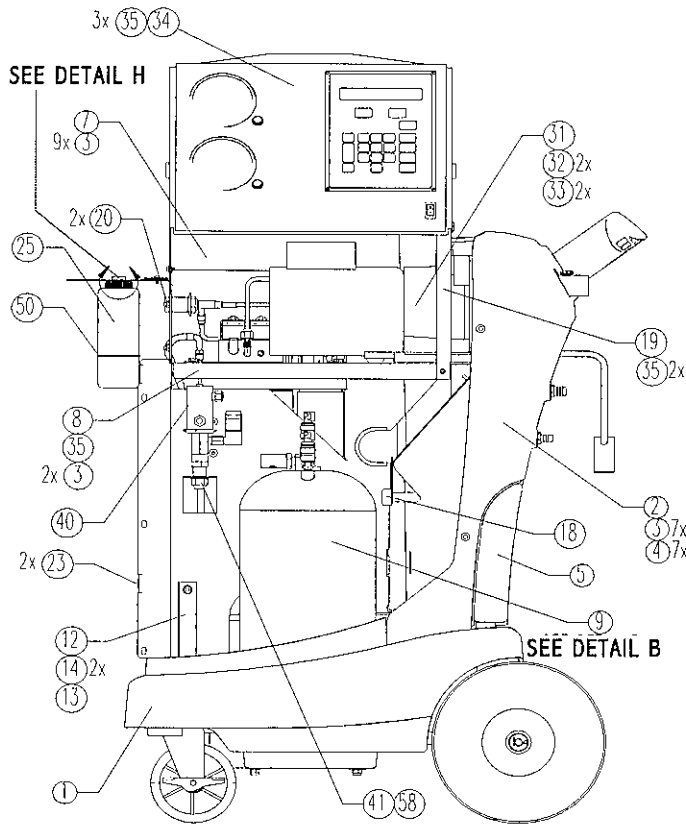
700Z EXTERNAL PARTS			
No.	Description	Qty.	Part No.
1	FRONT PANEL ASSEMBLY	1	122293
2	DECAL, 34700Z CONTROL PANEL	1	523284
3	OVERLAY	1	522545
4	COVER, LIGHT HOLE	1	122745
5	DECAL, FRONT SPX ROBINAIR	1	122130
6	SIDE & HANDLE ASSEMBLY	1	122292
7	SCREW, 1/4-20X3 MACH TRX PN BK	9	121829
8	COVER, TOP SIDEWINDER	1	121576
9	DECAL, 1-800 PHONE NUMBER	1	109076
10	HIGH SIDE HOSE SPUD	1	112635
11	LOW SIDE HOSE SPUD	1	112634

**PANZITTA SALES & SERVICE**  
**72 George Avenue**  
**Wilkes-Barre, PA 18705**  
**570-822-6720 800-822-6720**  
**www.panzittasales.com**



700Z EXTERNAL PARTS			
No.	Description	Qty.	Part No.
12	DECAL, WARNING	1	515770
13	OWNER'S MANUAL	1	523040
14	DOOR, REAR - SIDEWINDER	1	121575
15	DOOR LATCH KIT	2	RA19632

**700Z INTERNAL PARTS**



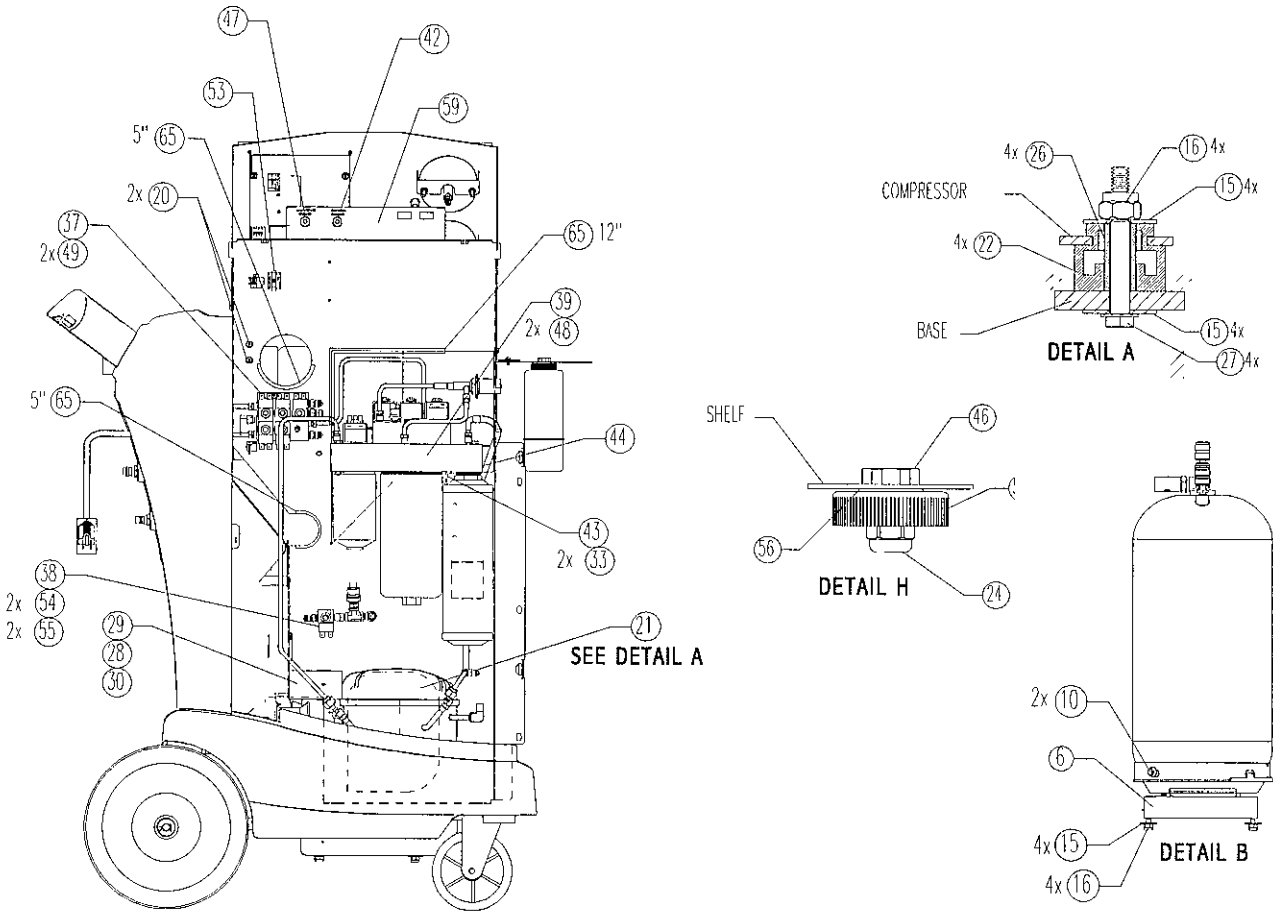
700Z UNIT COMPONENTS			
No.	Description	Qty.	Part No.
1	BASE ASSY	1	122206
2	ASSY, SIDE SUPPORT	1	122292
3	SCREW, 1/4 x 3/4" PLASTITE	18	123497
4	WASHER, 1/4" FLAT	7	12719
5	BOTTLE, OIL DRAIN	1	17756
6	SCALE ASSY	1	RA19603
7	CENTER DIVIDER	1	523171
8	SHELF	1	121957
9	INTERNAL TANK ASSEMBLY	1	RA19798
10	BOLT, 1/4-20 X 1/2"	2	122255
11	FAN ASSY, 115V	1	RA17416
12	STABILIZER BRACKET	1	122421
13	BOLT, 1/4-20 X 1.5"	1	121359
14	NUT, 1/4-20 FLANGED	2	109526
15	WASHER, 1/4" ID FENDER	2	109524
16	LOCKNUT, 1/4-20	8	123615

700Z UNIT COMPONENTS			
No.	Description	Qty.	Part No.
17	PANEL, CONDENSER COVER	1	122094
18	RUBBER BUMPER	1	122256
19	SUPPORT, CONTROL PANEL	1	122268
20	NUT, 8-32 SEMS	6	112414
21	COMPRESSOR ASSY, 115V	1	RA19865
22	GROMMET, COMPRESSOR	4	109533
23	RECEPTACLE, DOOR LATCH	2	RA19632
24	FITTING, STRAIGHT THRU	1	123616
25	OIL BOTTLE ASSEMBLY	1	19867
26	SLEEVE, COMPRESSOR	4	109532
27	BOLT, 1/4-20 X 2" SERR HEAD	4	119105
28	BRACKET, CAPACITOR	1	517116
29	CAPACITOR, 115V COMP.	1	517112
30	SCREW, 6-32 X 3/8	1	102074
31	VACUUM PUMP, 2 STAGE 115 V	1	122850
32	BRACKET, PUMP MOUNTING	2	122485

**NOTE:** The above parts listing may refer to parts located on unit diagrams on following page.

**PANZITTA SALES & SERVICE**  
 72 George Avenue  
 Wilkes-Barre, PA 18705  
 570-822-6720 800-822-6720  
 www.panzittasales.com

**SPX ROBINAIR**



700Z UNIT COMPONENTS			
No.	Description	Qty.	Part No.
33	SCREW, 1/4-20 X 1/2	4	120690
34	CONTROL PANEL ASSEMBLY	1	522389
35	SCREW, 8-32 X 3/8 SEMS	6	514514
36	SCREW, 10-24 X 5/8"	2	110602
37	MANIFOLD ASS'Y INLET	1	522773
38	OIL DRAIN ASS'Y	1	122294
39	MANIFOLD ASSEMBLY	1	RA19545
40	AIR PURGE CONTROL - R134-A	1	RA19795
41	3/8 FLARE NUT	1	108722
42	CIRCUIT BREAKER, 3 AMP	1	RA17548
43	BRACKET, MANIFOLD	1	123635
44	DECAL, MOVING PARTS	1	122234
45	NUT, 1/2 ACME	2	112122
46	NUT, NYLON	1	522722
47	CIRCUIT BREAKER, 15 AMP	1	RA17549
48	BOLT, 1/4-20 X 2.00 LG	2	104280

700Z UNIT COMPONENTS			
No.	Description	Qty.	Part No.
49	SCREW, 8-32 X 1.5"	2	514515
50	O-RING	1	112699
51	BRACKET, POWER CORD	1	121909
52	BUSHING, HEYCO	1	100385
53	RECEPTACLE, VACUUM PUMP	1	RA19047
54	WASHER, #8 EXT. TOOTH	2	11388
55	SCREW, 8-32 X 1/4" LG	2	110382
56	WASHER, 1/2" INT. TOOTH	3	110646
57	CAP, OIL INJECT BOTTLE	1	RA19914
58	WASHER, .625 INT. TOOTH	1	523175
59	DECAL, CIRCUIT BREAKER	1	123708
60	POWER CORD	1	122770
64	STRAP, VELCRO 1.5" X 45"	1	121925
65	EDGE TRIM, RUBBER (SOLD BY FT)	1	122708
66	DECAL, SERVICE HOSES	1	121426

**NOTE:** The above parts listing may refer to parts located on unit diagrams on previous page.

**SPX ROBINAIR**

**PANZITTA SALES & SERVICE**  
 72 George Avenue  
 Wilkes-Barre, PA 18705  
 570-822-6720 800-822-6720  
 www.panzittasales.com

PLUMBING DIAGRAM PARTS LIST			
No.	Part No.	Qty.	Description
1	523038	1	TUBE, HIGH-SIDE INLET
2	523037	1	TUBE, LOW-SIDE INLET
3	121773	21"	TUBE, NYLON 1/8 OD X .070 ID
4	121773	17"	TUBE, NYLON 1/8 OD X .070 ID
5	120225	26"	TUBE, 1/4 OD X 0.040 ID
6	122909	1	HOSE, AIR PURGE INLET
7	109358	2	ELBOW, 1/4 MFL X 1/8 FP
8	123625	2	TANK HOSE
9	RA19636	1	INTERNAL LIQUID HOSE ASSEMBLY
10	523039	1	TUBE, INLET BLOCK TO MANIFOLD
11	121961	1	HOSE, FILL
12	515983	1	TUBE, COMPRESSOR DISCHARGE
13	515980	1	TUBE, COMPRESSOR PROCESS
14	515984	1	TUBE, COMPRESSOR SUCTION
15	40572	1	QUICK SEAL CAP 1/4
16	40352	1	CORE SCHRADER
17	121773	24"	TUBE, NYLON 1/8 OD X .070 ID
18	121969	1	TUBE, SYSTEM OIL DRAIN
19	120165	30"	TUBING, 3.8 OD
20	120165	18"	TUBING, 3.8 OD
21	RA19479	12	O-RING, PKR #5-124, NEOPRENE
22	102338	1	STA-STRAP, 8" LONG X 3/16"

## NOTE

All part numbers showing a quantity measured in inches, must be ordered by the FOOT. For example; Item #3 in the above chart (P/N 121773) is a 21" section of nylon tubing. If this item is ordered using "21" as the quantity, you will receive 21 feet of this tubing, not 21 inches.

**PANZITTA SALES & SERVICE**  
**72 George Avenue**  
**Wilkes-Barre, PA 18705**  
**570-822-6720 800-822-6720**  
**www.panzittasales.com**

## COMPONENT ASSEMBLIES

### CONTROL PANEL ASSEMBLY

522389

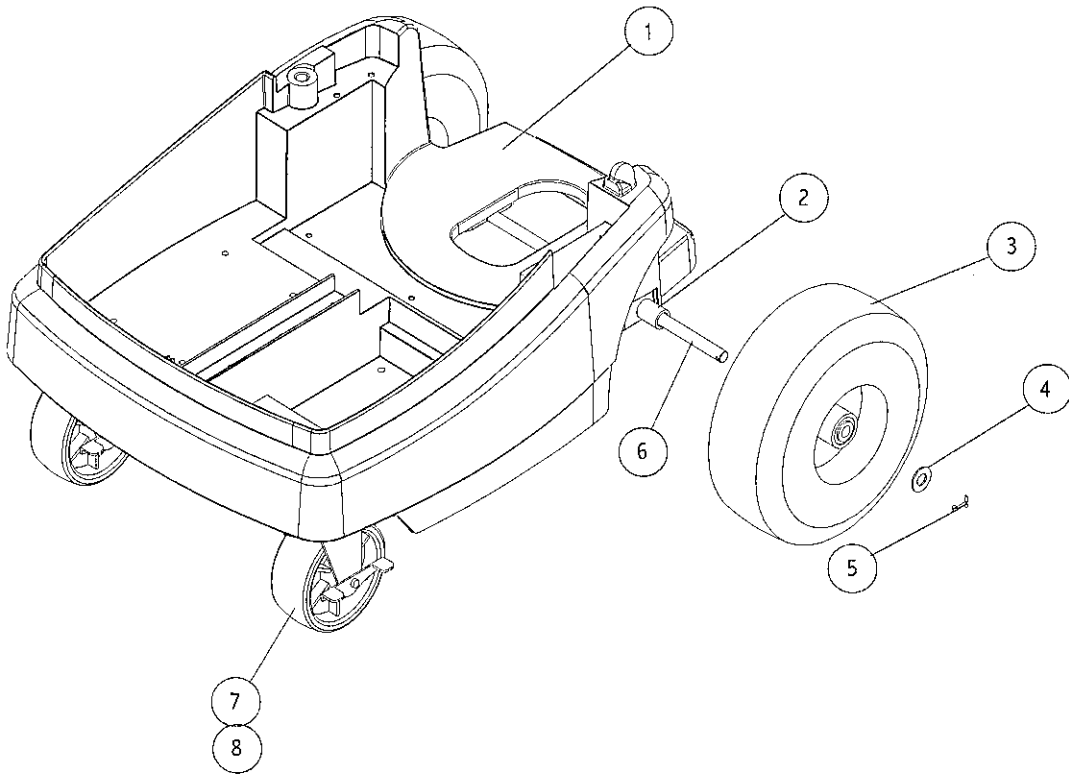


CONTROL PANEL ASSEMBLY			
No.	Description	Qty	Part No.
1	GAUGE, LOW-SIDE	1	RA19786
2	GAUGE, HIGH-SIDE	1	RA19787
3	LAMP, RED 120 VAC	1	RA19891
4	CONTROL MODULE, 700Z	1	RA19888
5	SCREW, #4-40 X 3/8 P E H TORX	4	122052
6	SWITCH, DPST (I-O)	1	RA19343
7	OVERLAY, 34700Z	1	522545
8	LAMP, BLUE 120 VAC	1	RA19890
9	BRACKET	2	516219
10	NUT, 10-32 HEX SEMS	4	112415
11	CONNECTOR, 1/8 NPTF X 1/8 PNEU	2	121771
12	PANEL, CONTROL 34700Z	1	522542

**PANZITTA SALES & SERVICE**  
 72 George Avenue  
 Wilkes-Barre, PA 18705  
 570-822-6720 800-822-6720  
 www.panzittasales.com

**SPX ROBINAIR**

### BASE ASSEMBLY 122206



BASE ASSEMBLY			
No.	Description	Qty	Part No.
1	BASE	1	121572
2	BUSHING, WHEEL	2	121782
3	WHEEL, PNEUMATIC 10"	2	19823
4	WASHER, 1/2" ID FLAT	2	102755
5	COTTER PIN	2	100723
6	AXLE	1	121591
7	CASTER, 5" DIA. X 2" WIDE	2	RA19631
8	SCREW, 1/4 X 1" PLASTITE	7	121110

### PANZITTA SALES & SERVICE

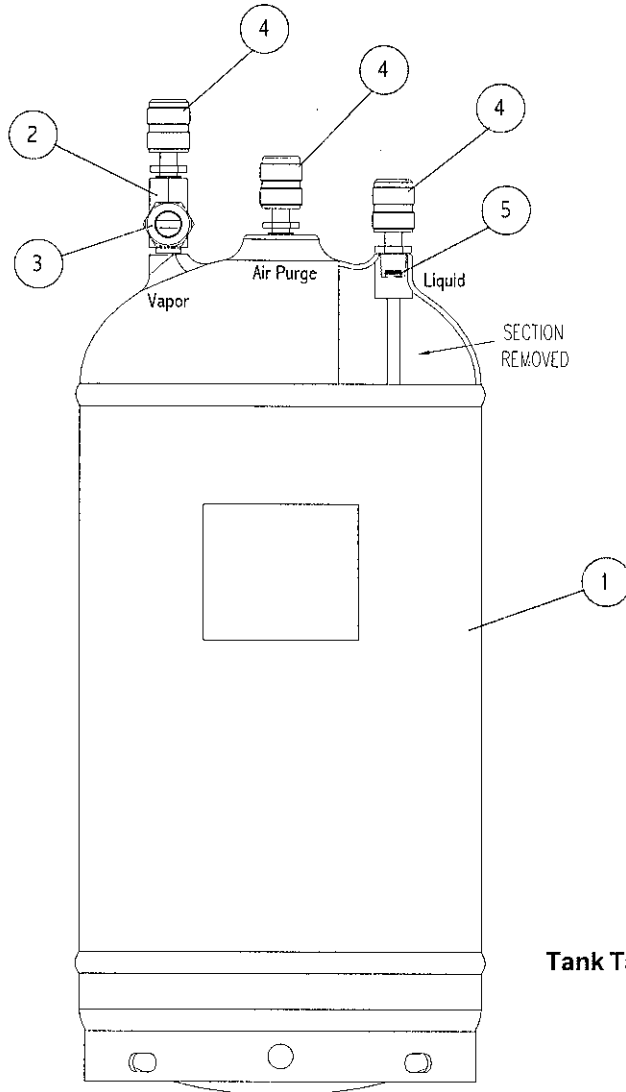
72 George Avenue

Wilkes-Barre, PA 18705

570-822-6720 800-822-6720

www.panzittasales.com

**INTERNAL TANK ASSEMBLY  
RA19798**



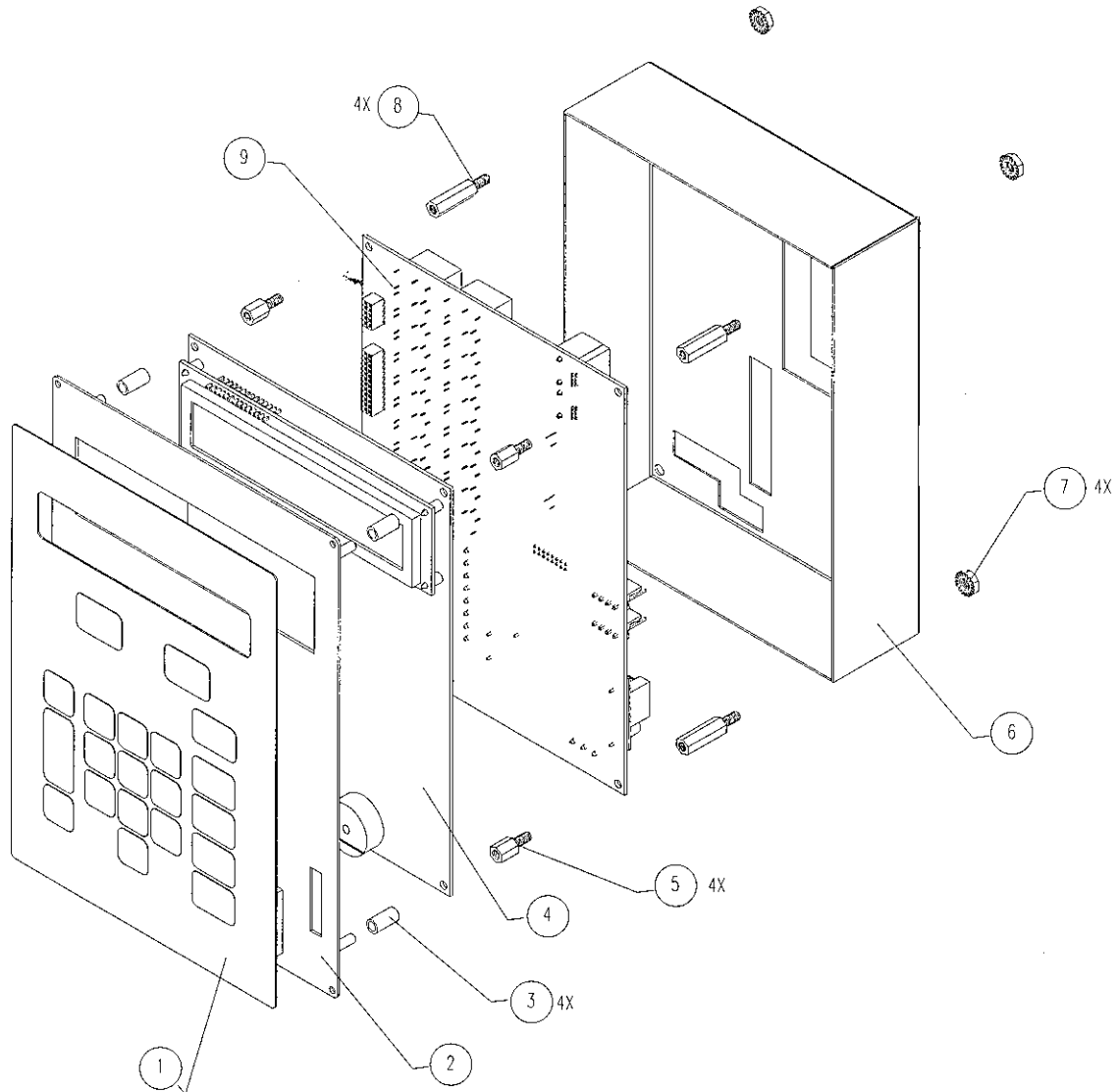
Tank Tare Weight = 16.30 lbs. (7.4 kg)

INTERNAL TANK ASSEMBLY			
No.	Description	Qty	Part No.
1	INTERNAL TANK, UNIVERSAL	1	RA19798
2	TEE, 1/4MP x 1/4FP x 1/4FP	1	121719
3	PRESSURE RELIEF, 450 PSI	1	RA19499
4	QUICK SEAL, 1/4 FL X 1/4NPT	3	123610
5	SCREEN, BRASS SOLENOID	1	518260

**PANZITTA SALES & SERVICE**  
**72 George Avenue**  
**Wilkes-Barre, PA 18705**  
**570-822-6720 800-822-6720**  
**www.panzittasales.com**

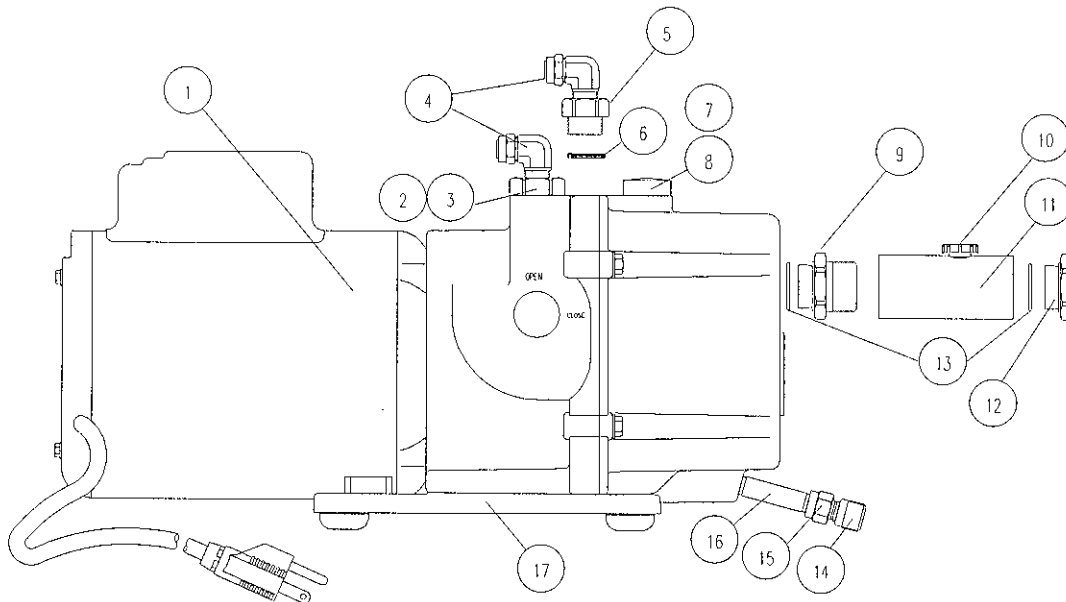


## CONTROL MODULE 34700Z RA19888



CONTROL MODULE			
No.	Description	Qty	Part No.
1	KEYPAD, 34700Z	1	RA19889
2	COVER, FRONT, MODULE, 700/800	1	
3	SPACER	4	111740
4	CONTROL BOARD, 34700Z	1	
5	SPACER, HEX, THREADED .375	4	
6	COVER, REAR, MODULE, 700/800	1	
7	NUT, SEMS, 8-32	4	112414
8	SPACER, HEX, THREADED .875	4	
9	RELAY BOARD, 34700Z	1	

**VACUUM PUMP ASSEMBLY (16)**  
122850

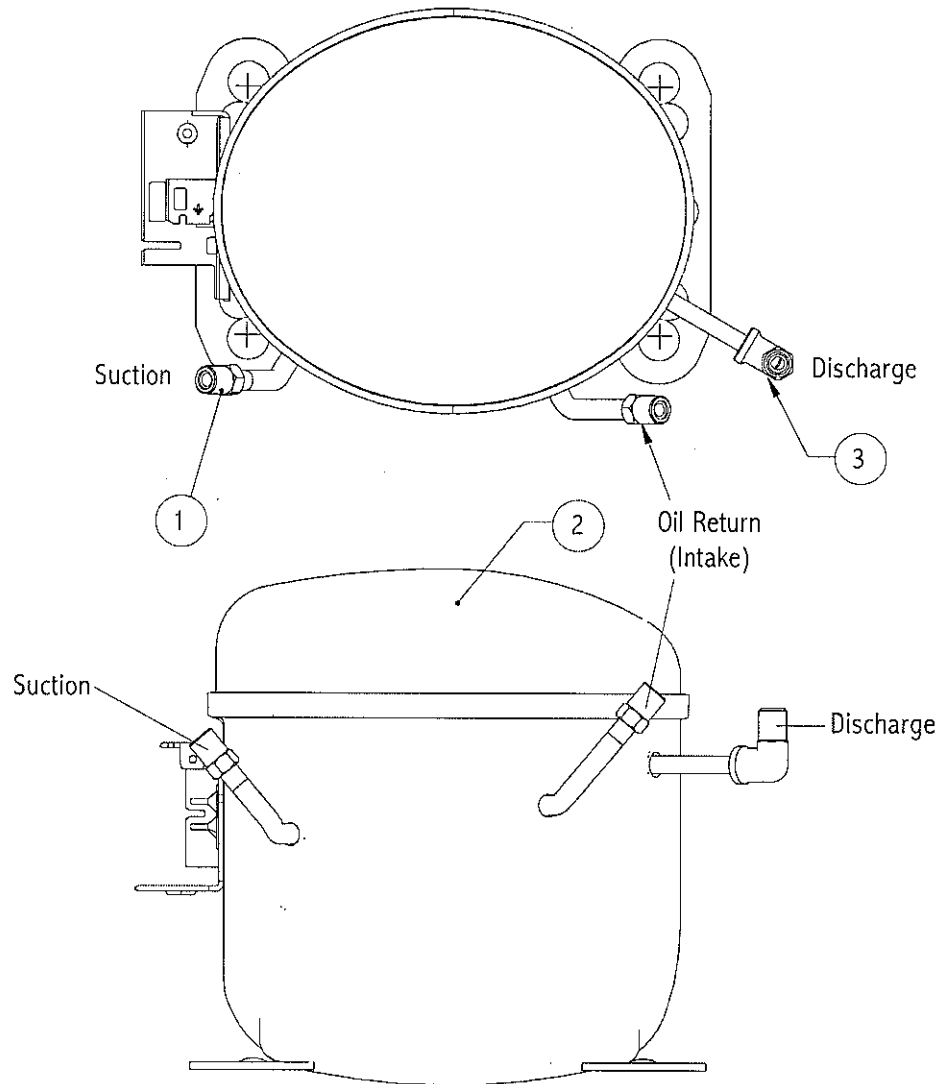


VACUUM PUMP ASSEMBLY			
No.	Description	Qty	Part No.
1	MOTOR W/POWER CORD (115V)	1	117913
2	O-RING	1	116274
3	ADAPTER, INLET COUPLING, 1/4 FP	1	116454
4	ELBOW, 1/4NPT X 3/8 PNEU	1	121784
5	ADAPTER, 3/4-16 X 1/4FP	1	122746
6	O-RING	1	15367
7	O-RING, OIL FILL PLUG	1	15371
8	OIL FILL PLUG	1	15371
9	ADAPTER, 3/4NPTF X 15/16-20	1	122222
10	OIL FILL PLUG, EXTENSION	1	124023
11	SIGHT GLASS, EXTENSION	1	124022
12	SIGHTGLASS (THREADED)	1	117680
13	O-RING	1	122317
14	1/4 FLARE CAP	1	111098
15	HALF UNION COUPLING, 1/8FP X 1/4MFL	1	100733
16	NIPPLE, 1/8MP X 1/8MP X 2.0	1	112835
17	BASE AND FOOT ASSEMBLY	1	15369

**PANZITTA SALES & SERVICE**  
72 George Avenue  
Wilkes-Barre, PA 18705  
570-822-6720 800-822-6720  
www.panzittasales.com

**SPX ROBINAIR**

## CUBIGEL COMPRESSOR RA19865 (110V)



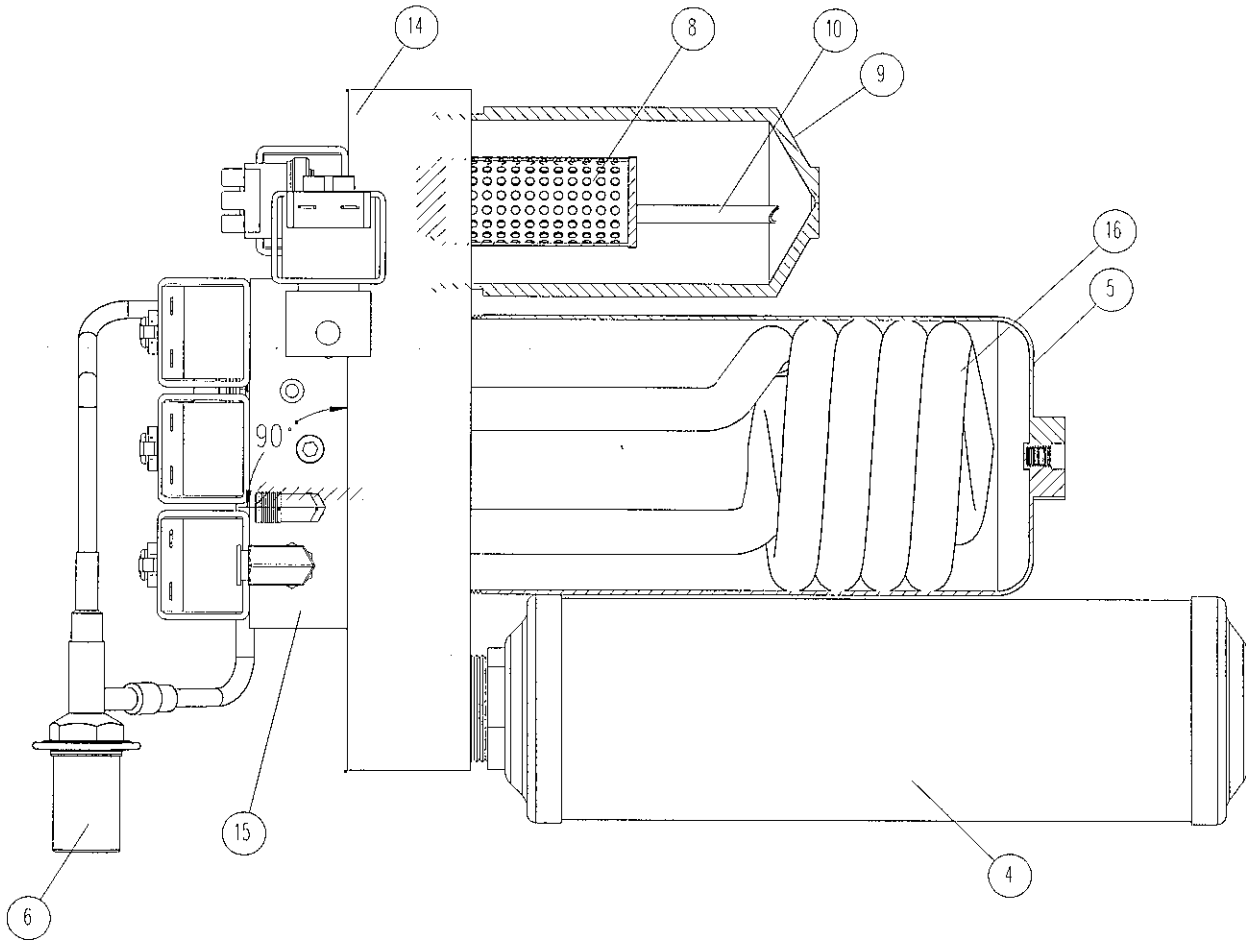
<b>COMPRESSOR ASSEMBLY</b>			
No.	Description	Qty	Part No.
1	FITTING, SOLDER	2	516606
2	COMPRESSOR, 115 V	1	RA19865
3	ELBOW, O-RING X SOLDER	1	515979
Not Shown	START RELAY, 110 VOLTS	1	517110
Not Shown	START CAPACITOR	1	517112
Not Shown	MOTOR PROTECTOR, 110 VOLTS	1	517111

**NOTE:** 517110, 517111, & 517112 can be purchased by ordering kit # RA19489.

**SPX** ROBINAIR

**PANZITTA SALES & SERVICE**  
72 George Avenue  
Wilkes-Barre, PA 18705  
570-822-6720 800-822-6720  
www.panzittasales.com

**34700Z MANIFOLD ASSEMBLY  
RA19545**



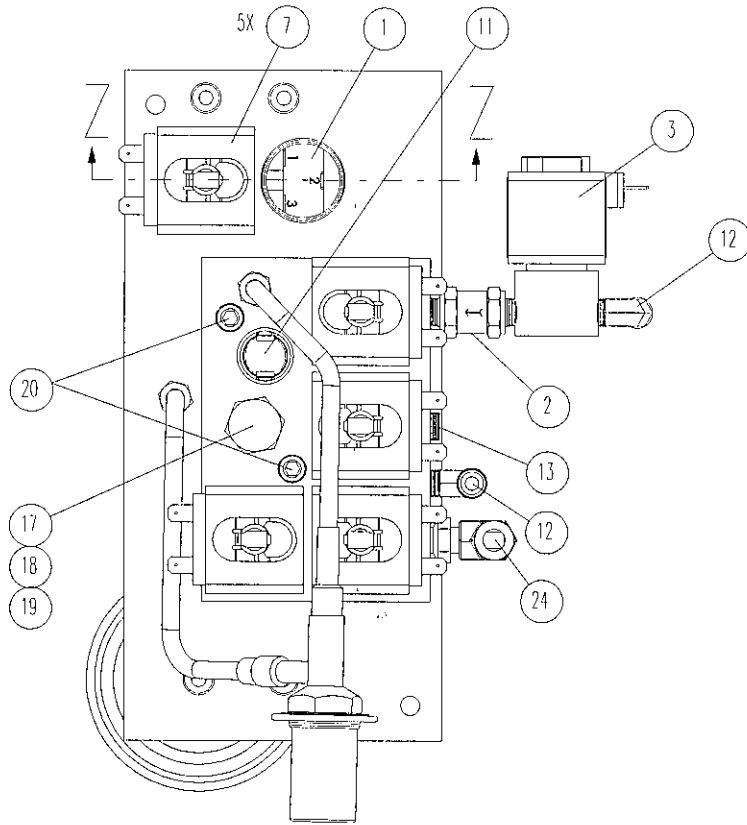
34700Z MANIFOLD ASSEMBLY			
No.	Description	Qty.	Part No.
1	SWITCH, HIGH PRESSURE CUTOUT	1	RA19427
2	CHECK VALVE,	1	RA19799
3	SOLENOID, 115V, NC	1	RA19006
4	FILTER DRIER, SPIN ON	1	34724
5	ACCUMULATOR SHELL	1	
6	EXPANSION VALVE ASSEMBLY	1	RA19592
7	SOLENOID COIL,	5	RA19491
8	SEPARATOR ELEMENT	1	123787
9	SEPARATOR SHELL	1	
10	OIL PICKUP TUBE	1	
11	SWITCH, VACUUM, 13" HG	1	RA18752
12	ELBOW, 1/8 MP X O-RING SEAL	2	119984

34700Z MANIFOLD ASSEMBLY			
No.	Description	Qty.	Part No.
13	PLUG, 1/8-27NPTF SOCKET HD	1	101612
14	BLOCK, LOWER MACHINED	1	123723
15	BLOCK, UPPER MACHINED	1	123730
16	CONDENSER COIL	1	523477
17	CLOSURE, CHECK VALVE	1	RA19871
18	CHECK VALVE DISK HOLDER ASSY	1	RA19871
19	O-RING, CHECK VALVE	1	RA19871
20	SCREW, 1/4-20 X 1-3/8 SOCKET HD	2	523473
21	O-RING, PKR, #SB17-119-7N	1	123785
22	O-RING, PKR, #SB17-143-7N	1	123786
23	CHECK VALVE, 1/8MP X 1/8 MP	1	RA19282
24	ELBOW, 1/8" MP X 3/8 PUSH LOC	1	515572

**PANZITTA SALES & SERVICE**  
 72 George Avenue  
 Wilkes-Barre, PA 18705  
 570-822-6720 800-822-6720  
 www.panzittasales.com

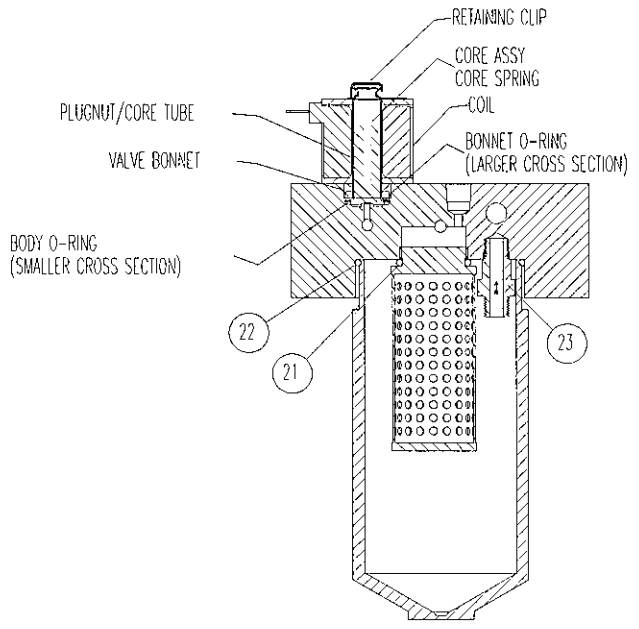
**SPX ROBINAIR**

**Parts & Components**



**NOTE**

1. Use 121226 refrigerant sealant (Loctite 567) on all pipe threads.
2. Expansion valve must be factory preset to 35 PSIG +/- 1 PSIG.
3. Seals between separator canister, accumulator canister, filter and lower block require o-rings (RA19480).
4. Valve bonnet is to be torqued to 90-in lbs.



SECTION Z-Z



**PANZITTA SALES & SERVICE**  
**72 George Avenue**  
**Wilkes-Barre, PA 18705**  
**570-822-6720 800-822-6720**  
**www.panzittasales.com**

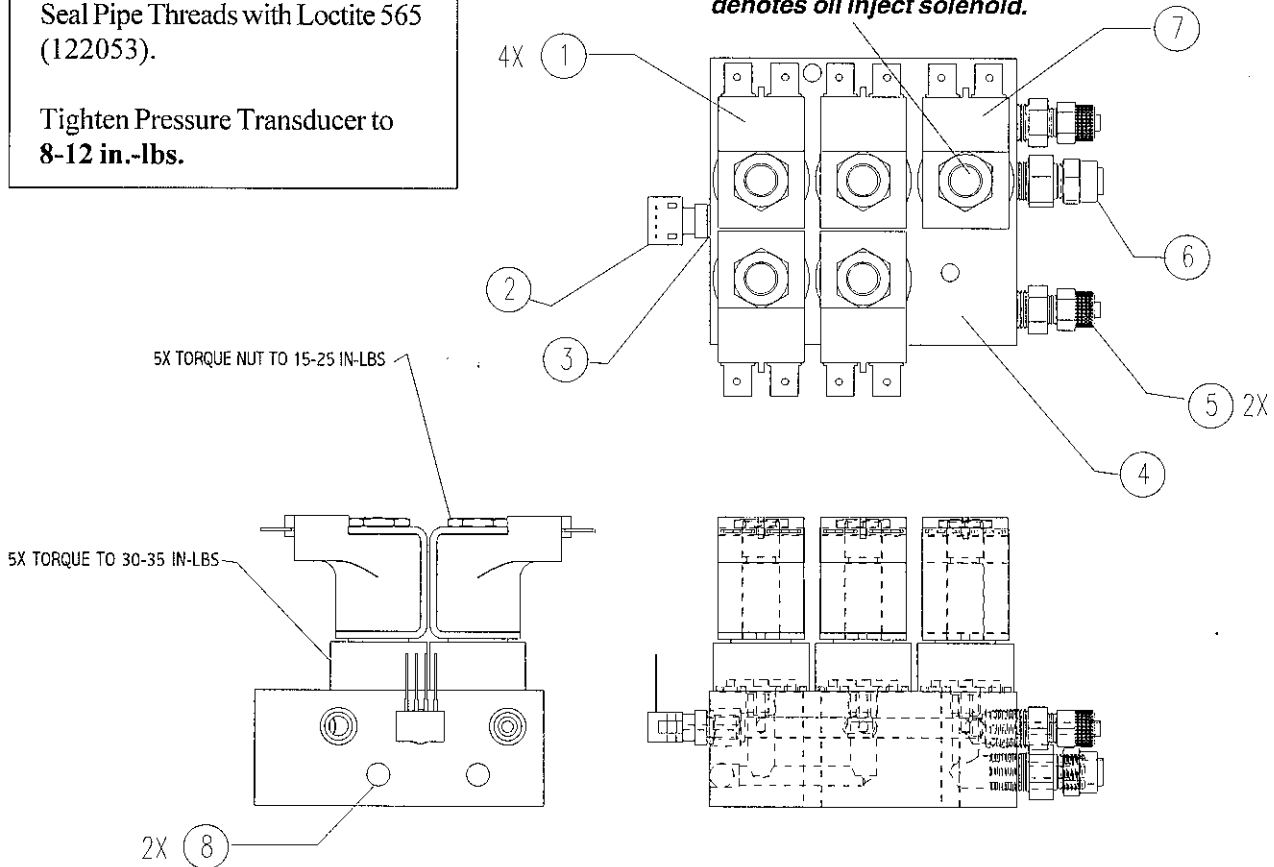
**INLET MANIFOLD ASSEMBLY  
522773**

**NOTE**

Seal Pipe Threads with Loctite 565 (122053).

Tighten Pressure Transducer to **8-12 in.-lbs.**

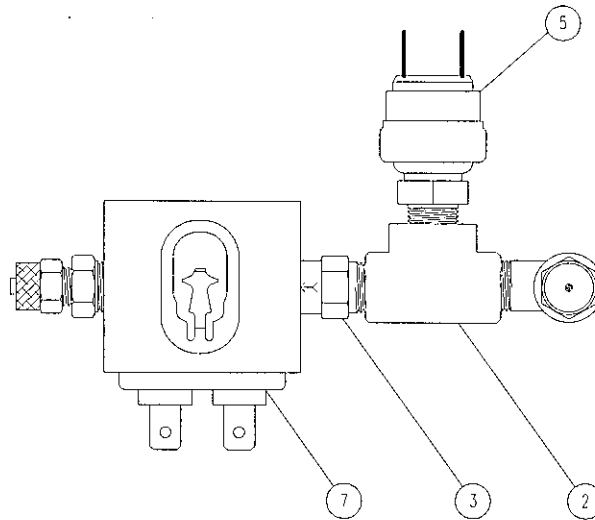
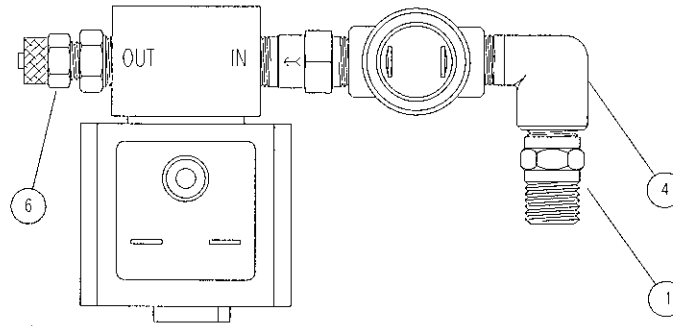
*Green dot and/or blue label denotes oil inject solenoid.*



INLET MANIFOLD ASSEMBLY			
No.	Description	Qty	Part No.
1	SOLENOID, INLET, 120V, SURFACE MOUNT	4	RA19893
2	PRESSURE TRANSDUCER	1	RA19892
3	O-RING, PKR, #2-009	1	518229
4	INLET MANIFOLD BLOCK, MACHINED	1	522728
5	CONNECTOR, 1/8 NPTF X 1/8 PNEU	2	RA19581
6	CONNECTOR, PNEU, 1/8 NPTF X 1/4 COMP.	1	122917
7	SOLENOID, OIL INJECT, 120V	1	RA19894
8	BALL, MANIFOLD PLUG	2	523033
1 & 7	SOLENOID COIL, 120V	5	RA19630

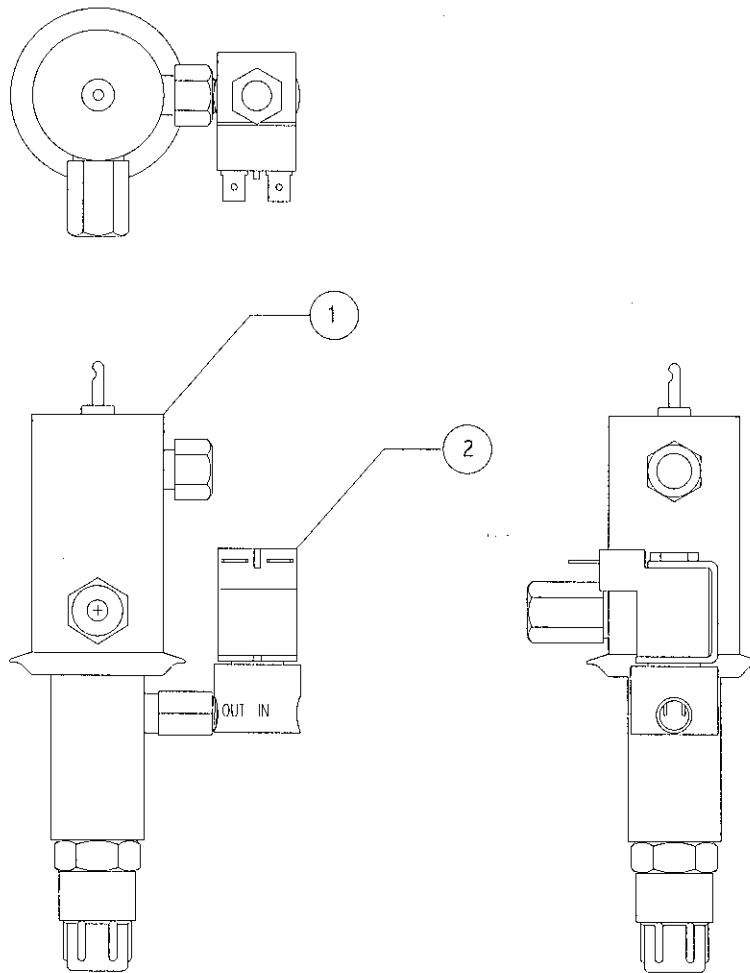
**PANZITTA SALES & SERVICE**  
**72 George Avenue**  
**Wilkes-Barre, PA 18705**  
**570-822-6720 800-822-6720**  
**www.panzittasales.com**

## OIL DRAIN ASSEMBLY 122294



OIL DRAIN ASSEMBLY			
No.	Description	Qty	Part No.
1	ORIFICE, UNION .042	1	121312
2	TEE, 1/8 OD X 1/8 OD X 1/8 OD	1	111858
3	CHECK VALVE, 1/8 MP X 1/8 MP	1	RA19282
4	ELBOW, 1/8 MP X 1/8 FP	1	111161
5	OIL DRAIN SWITCH	1	RA19672
6	CONNECTOR, 1/8 NPTF X 1/8 PNEU	1	121771
7	SOLENOID, OIL DRAIN, 120V, 3/32"	1	RA19896

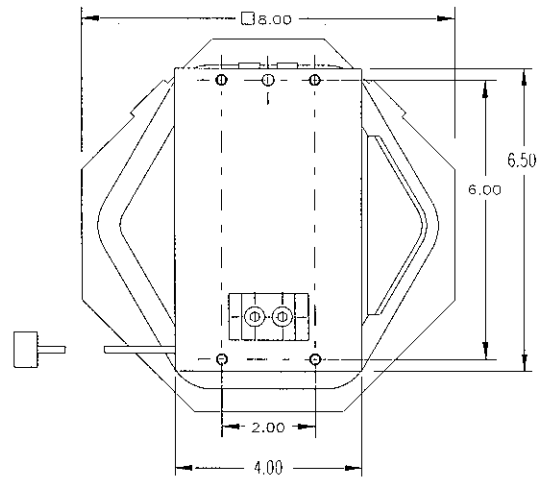
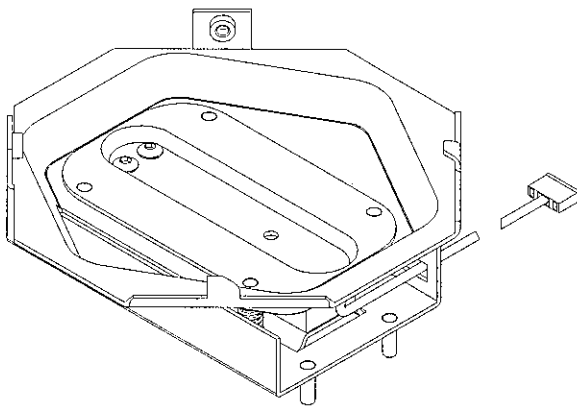
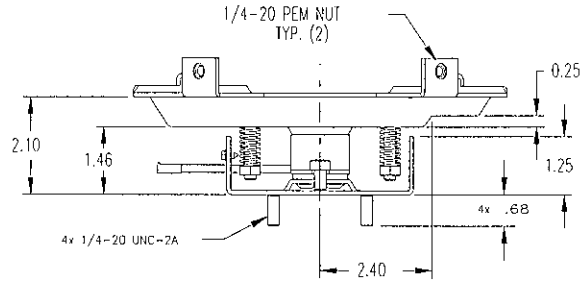
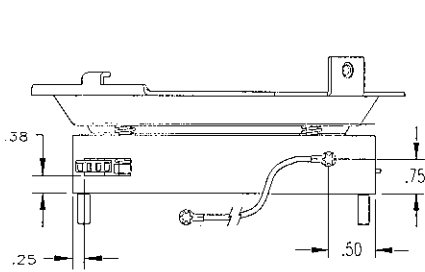
**AIR PURGE ASSEMBLY  
124049**



AIR PURGE ASSEMBLY			
No.	Description	Qty	Part No.
1	AIR PURGE CONTROL	1	RA19795
2	SOLENOID, AIR PURGE, 120V 1/16"	1	RA19895

**PANZITTA SALES & SERVICE**  
**72 George Avenue**  
**Wilkes-Barre, PA 18705**  
**570-822-6720 800-822-6720**  
**www.panzittasales.com**

**SCALE ASSEMBLY  
RA19603**



**SPECIFICATIONS**

Rated Capacity (RC):	35 Kg
Rated Output (RO):	2.0 mV +/-10%
Zero Balance:	+3%/-0% of RO
Temperature Range (Safe):	-30°C to +70°C
Temperature Range (Op):	+10°C to +50°C
Electrical:	
Recommended Excitation:	10 VAC or VDC
Maximum Excitation:	15 VAC or VDC
Impedance:	
Input:	415 +/- 15 Ohms
Output:	350 +/- 3 Ohms
Insulation Resistance:	>2000M Ohm

