

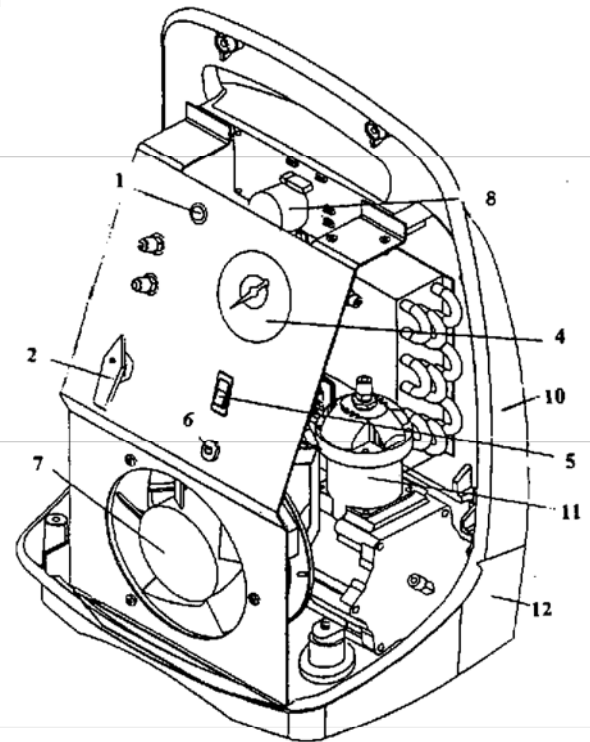
25150A and 25175A Refrigerant Recovery Stations
International Models 25151A, 25176A, and 25177A

PANZITTA SALES & SERVICE
72 George Avenue
Wilkes-Barre, PA 18705
570-822-6720 800-822-6720
www.panzittasales.com

25150A/25151A

Illus. # Part #

1	RA17106	Red Indicator Light (115V)
1	RA19349	Red Indicator Light (220V)
2	19291	90 Degree (2 Way) Ball Valve (25150A series)
3	19664	Spool Valve (25175A series up to Nov. '01)
4	RA19474	Compound Guage (PSI, BAR, kPa) (25150A series)
4	19666	Compound Guage (25175A series)
5	RA19343	Main Power Switch
6	122185	10 Amp Fuse (115V units)
6	122602	7 Amp Fuse (220V units)
7	RA17416	Fan (115V)
7	RA17516	Fan (220V)
8	19701	Relay Board (115V)
8	19700	Relay Board (220V)
9	RA19133	Tank Float Relay (25177A)
10	19665	Case (back)
11	19652	D/C Rectified Compressor (115V)
11	19706	D/C Rectified Compressor (220V)
12	19663	Case (bottom)
N/S	RA19427	High Pressure Switch (25150A series)
N/S	19720	High Pressure Switch (25175A series)
N/S	19669	Front Cover
N/S	19651	DC Rectified Compressor Rebuild Kit
N/S	19049	Power Cord (115V)
N/S	19097	Power Cord (220V)
N/S	17421	Optional Filter
N/S	19753	Manifold Block
N/S	19497	Optional Float Cable and Relay (115V)
N/S	19498	Optional Float Cable and Relay (220V)
N/S	17105	30 lb. (14 kg) Tank without Float Switch
N/S	17571	30 lb. (14 kg) Tank with Float Switch
N/S	17506	50 lb. (23 kg) Tank without Float Switch
N/S	17572	50 lb. (23 kg) Tank with Float Switch
N/S	65360	60" Red Hose with Ball Valve (25175A series)
N/S	68360A	60" Hose (25150A & 25175A)
N/S	123783	Panel Mount Valves (25175A series from Nov. 2001 to present)



25175A/25176A/25177A

