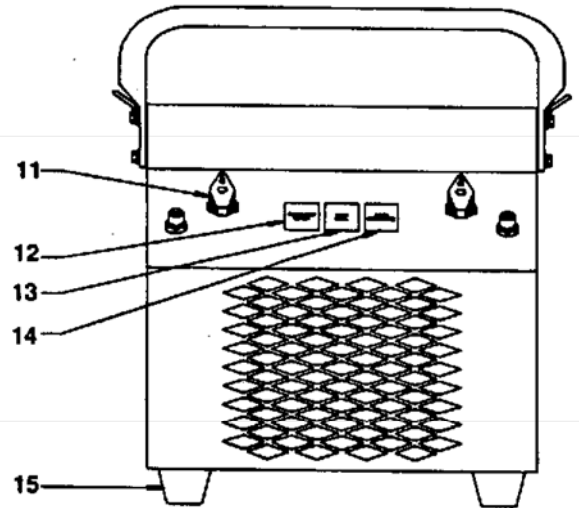
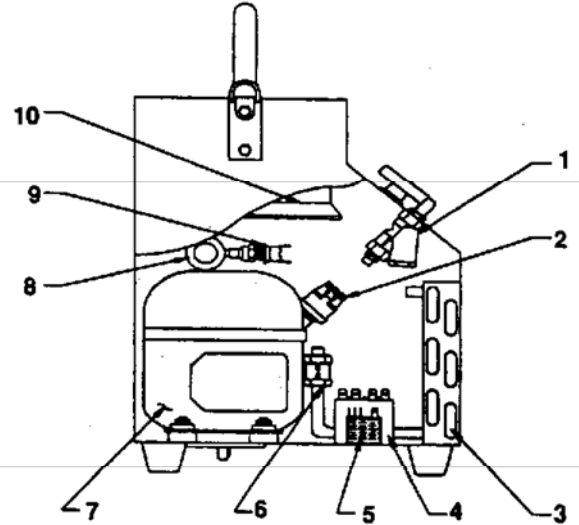


17620 Series Refrigerant Recovery Station
International Models 17621 and 17621ENF

Illus. #	Part #	
1	RA17672	Inlet Strainer Assembly (disc)
2	RA19104	High Pressure Switch (435 psi)
3	RA19221	Condenser
4	RA17459	System Relay (17620, 17621)
4	RA17324	System Relay (17621ENF)
5	RA19133	Tank Float Relay (115V)
5	RA19134	Tank Float Relay (220V)
6	RA19216	Discharge Check Valve (disc)
7	RA19219	Compressor (115V)
7	RA19222	Compressor (220V)
8	RA19220	Automatic Expansion Valve
9	RA18752	Vacuum Sensor
10	RA19226	Fan (115V) (disc)
10	RA19223	Fan (220V) (disc)
11	RA18767	Ball Valve
12	RA19107	Recovery Start Switch (17620)
12	RA19175	Recovery Start Switch (17621ENF)
12	RA19119	Recovery Start Switch (17621)
13	RA19111	Tank Full Light (115V)
13	RA19123	Tank Full Light (220V)
14	RA19110	High Pressure Light (115V)
14	RA19122	High Pressure Light (220V)
15	17668	Rubber Foot
N/S	RA17315	Valve Handle
N/S	17671	Stainless Steel Strainer Element
N/S	17571	30 lb. (14 kg) Tank with Float Switch
N/S	17105	30 lb. (14 kg) Tank (17621ENF)
N/S	19144	Tank Float Cable
N/S	68360A	60" Red Hose
N/S	114228	Compressor Relay
N/S	114229	Thermal Overload



PANZITTA SALES & SERVICE
72 George Avenue
Wilkes-Barre, PA 18705
570-822-6720 800-822-6720
www.panzittasales.com