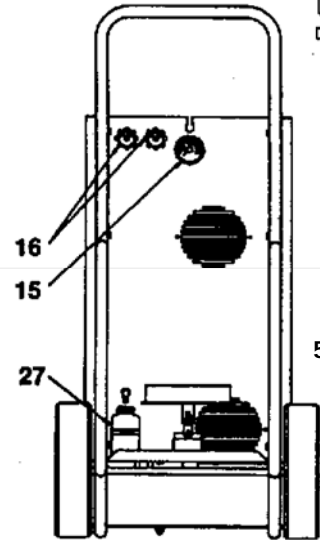
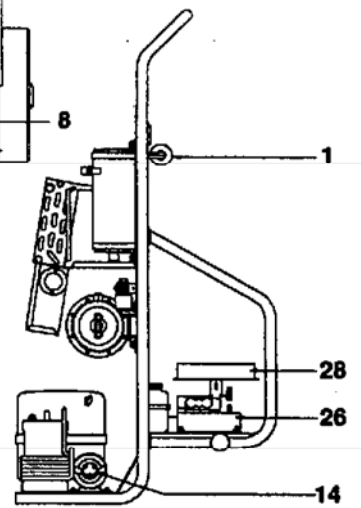
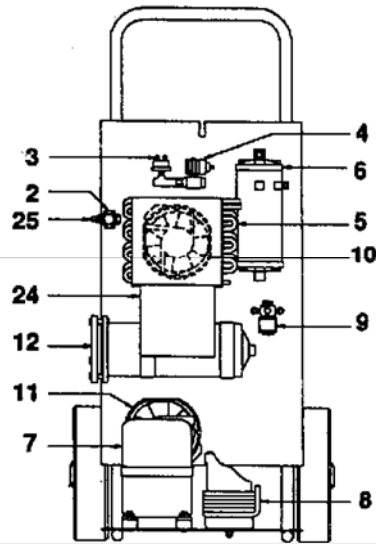
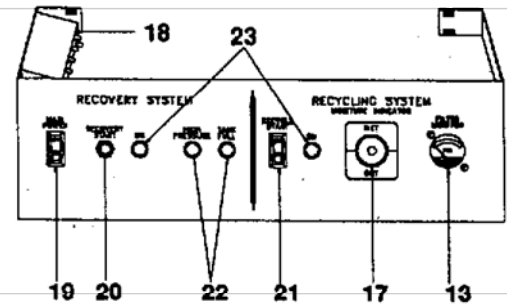


17500 and 17500B Refrigerant Recovery/Recycling Stations

International Model 17501B

Illus. # Part #

| | | |
|-----|---------|--|
| 1 | 17421 | Inlet Filter (17500) |
| 1 | 17630 | Inlet Filter (17500B series) |
| 2 | RA18767 | Liquid Vapor Valve (RA17315 Handle) (17500B) |
| 3 | RA18752 | Vacuum Sensor |
| 4 | RA18756 | Recovery Solenoid (115V) |
| 4 | RA19090 | Recovery Solenoid (220V) |
| 5 | RA18754 | Evaporator Condenser (17500) |
| 5 | RA18764 | Evaporator Condenser (17500B) |
| 6 | RA19063 | System Oil Separator |
| 7 | RA17410 | Compressor (115V) (disc) |
| 7 | RA17510 | Compressor (220V) (disc) |
| 7 | RA17800 | Compressor |
| N/S | RA19832 | Plumbing Kit (to install new style compressor) |
| 8 | RA18762 | Compressor Oil Separator (17500) (disc) |
| 8 | RA18763 | Compressor Oil Separator (17500B) |
| 9 | RA17522 | Equalization Solenoid (115V) (17500B) |
| 9 | RA17578 | Equalization Solenoid (220V) (17501B) |
| 10 | RA19130 | Upper Fan (115V) (17500B) |
| 10 | RA19131 | Upper Fan (220V) (17501B) |
| 11 | RA17416 | Lower Fan (115V) |
| 11 | RA17516 | Lower Fan (220V) |
| 12 | RA18755 | Filter Shell (disc) |
| 13 | RA17125 | Filter Monitor |
| 14 | RA17115 | Liquid Pump (115V) |
| 14 | RA17139 | Liquid Pump (220V) |
| 15 | RA18759 | Air Purge Indicator (17500B) |
| 16 | 19291 | Air Purge/Oil Drain/Accumulator Valve |
| 17 | RA17577 | Moisture Indicator |
| 18 | RA17459 | System Relay |
| 19 | RA40994 | Main Power Switch (115V) |
| 19 | RA17135 | Main Power Switch (220V) |
| 20 | RA17138 | Compressor Start Switch |
| 21 | RA19058 | Recycling Switch (115V) |
| 21 | RA19089 | Recycling Switch (220V) (disc) |
| 22 | RA17106 | Red light (115V) |
| 22 | RA17136 | Red Light (220V) (disc) |
| 23 | RA17107 | Amber Light (115V) |
| 23 | RA17137 | Amber Light (220V) (disc) |
| 24 | RA17282 | Compressor Relay Update Kit (115V) |
| 24 | RA19087 | Compressor Relay Update Kit (220V) |
| 25 | RA17315 | Handle |
| 26 | RA18758 | Scale Assembly |
| 27 | 17419 | Oil Bottle |
| 28 | RA14967 | Scale Platform |
| N/S | RA17112 | All Check Valves |
| N/S | RA19104 | High Pressure Switch |
| N/S | RA17114 | Scale Limit Switch |
| N/S | RA19244 | Inlet Coupler |
| N/S | RA17068 | Liquid Pump Seal Kit |
| N/S | RA18766 | Sight Glass |
| N/S | 19205 | 36" Yellow Tank Hose |
| N/S | 68236A | 36" Blue Tank Hose |
| N/S | 68336A | 36" Red Tank Hose |
| N/S | 17130 | Filters (2 required) (comes as case of six) |
| N/S | 17506 | 50 lb. (23 kg) Tank |
| N/S | 19056 | Tank Strap |
| N/S | 111042 | Thermal Overload |



PANZITTA SALES & SERVICE
 72 George Avenue
 Wilkes-Barre, PA 18705
 570-822-6720 800-822-6720
www.panzittasales.com