

PANZITTA SALES & SERVICE  
72 George Avenue  
Wilkes-Barre, PA 18705  
570-822-6720 800-822-6720  
www.panzittasales.com



**PARTS LIST**

**FOR**

**FORE & AFT**

**ADJUSTABLE MEDIUM TRUCK LIFT**

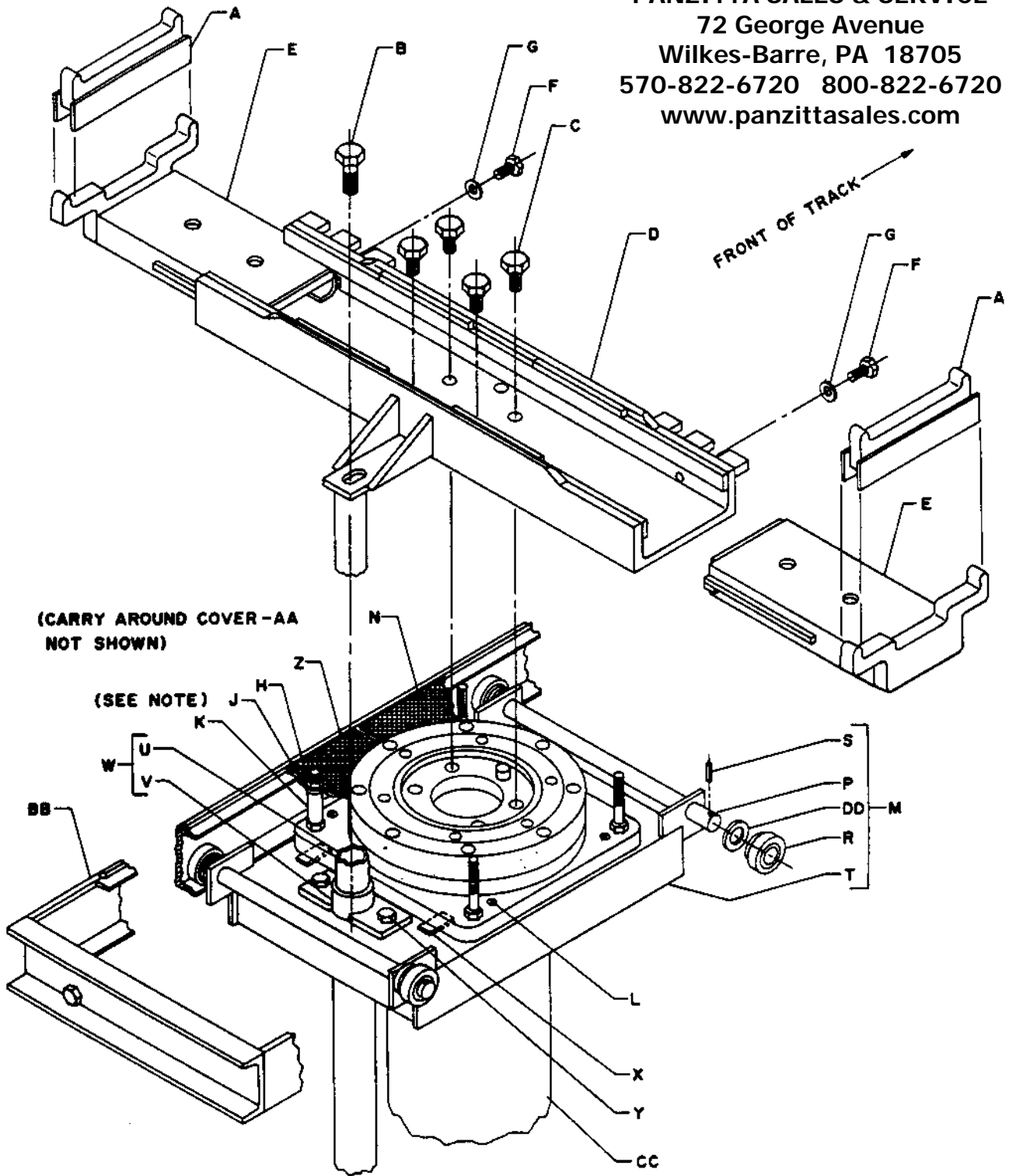
**A-5CM3A**

**18,500 LB CAPACITY  
6,500 LB FRONT PLUNGER  
12,000 LB REAR PLUNGER**

A-5CM3A.max

# FORWARD PICKUP BASE AND CARRIAGE ASSEMBLY WITH STANDARD CONTROL BOX

PANZITTA SALES & SERVICE  
 72 George Avenue  
 Wilkes-Barre, PA 18705  
 570-822-6720 800-822-6720  
 www.panzittasales.com



(CARRY AROUND COVER-AA NOT SHOWN)

(SEE NOTE)

NOTE — WASHER MUST NOT CONTACT COVER PLATES OR CARRIAGE WILL NOT MOVE

T13971

Fig. 5

IMPORTANT: Specify Model and Serial Number of Lift. Also Symbol Number and Name of Part.

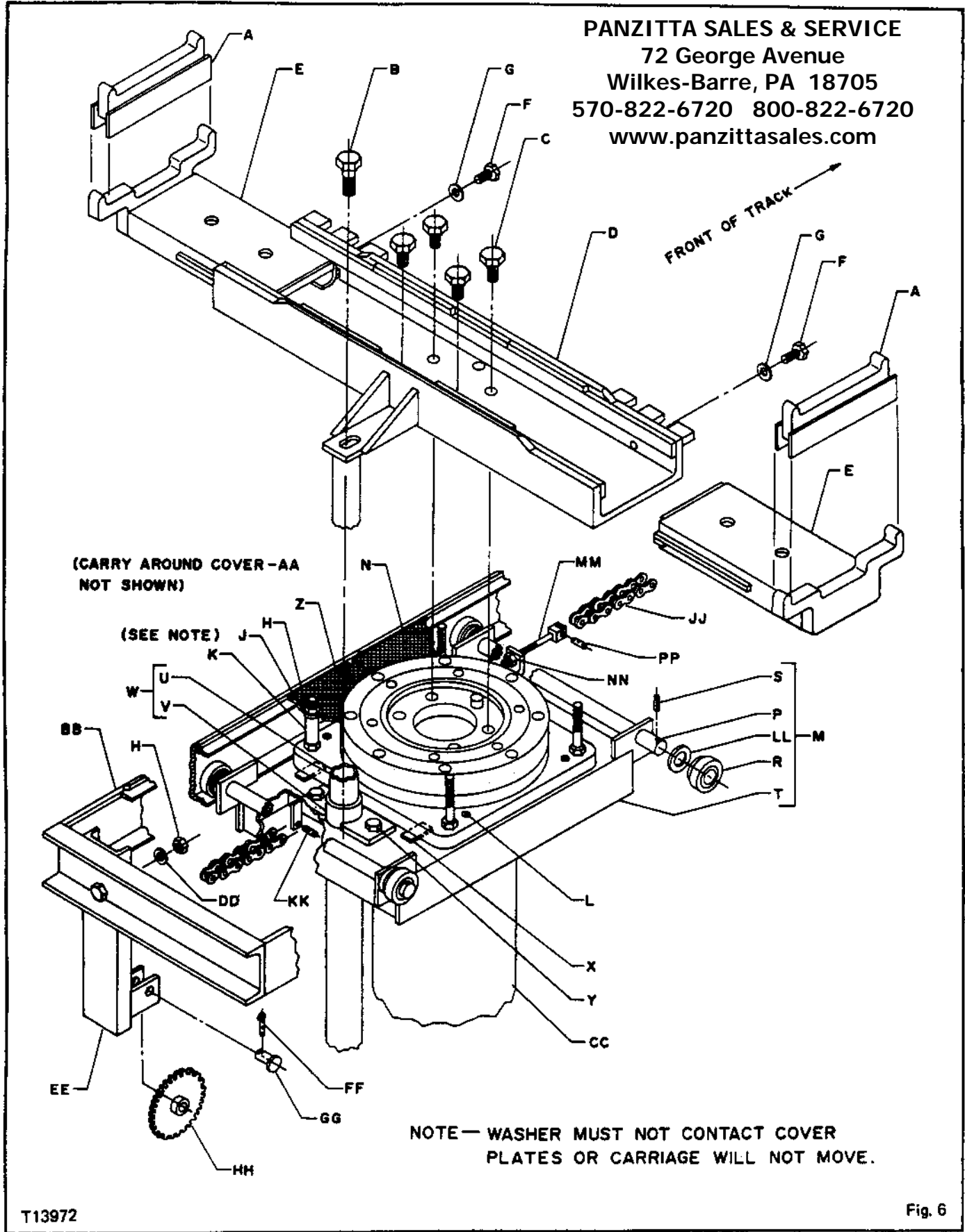
**PANZITTA SALES & SERVICE**  
**72 George Avenue**  
**Wilkes-Barre, PA 18705**  
**570-822-6720 800-822-6720**  
**www.panzittasales.com**

**FORWARD PICKUP BASE AND CARRIAGE ASSEMBLY WITH STANDARD CONTROL BOX PARTS LIST**

Code No.	No. Req.	Symbol No.	Description
A	2	R13424	Height Adapter
B	1	K01914-50	Hex Hd. Bolt 1" -8 x 2-1/2"
C	4	Q10412-01	Hex Hd. Bolt 3/4" -10 x 2-1/4"
D	1	T13930-02	Forward Pickup Base
E	2	R13418	Forward Pickup Slide
F	2	K01902	Hex Hd. Bolt 3/8" -16 x 1"
G	2	K50775	Lockwasher 3/8"
H	8	K01945	Hex Nut 1/2" -13"
J	4	K02208	Washer 1/2"
K	4	K88531-01	Spacer
L	4	K00083-35	Set Screw 1/2" -13 x 1"
M	1	T13924	Carriage Assembly (Includes P, R, S & T)
N	1	R14469-01	Front Trench Cover Assembly
P	2	K88533	Carriage Axle
R	4	K88995	Carriage Wheel Assembly
S	4	K67240	Groove Pin 3/16" Dia. x 1-1/2"
T	1	T13923	Carriage Weldment
U	1	R13470-07	Telescoping Post & Latch Assy.
V	1	N20234-01	Stationary Tube Assembly
W	1	K88961-01	Automatic Lock Assembly (Includes B, U & V)
X	16	K88438	Shim
Y	2	K01909	Hex Hd. Bolt 1/2" -13 x 1"
Z	1	R13415-04	Front Trench Cover Assembly
AA	2	R13355	Trench Cover (10 Ft.)
AA	3	R13355	Trench Cover (12 Ft.)
AA	4	R13355	Trench Cover (14 Ft.)
AA	5	R13355	Trench Cover (16 Ft.)
BB	1	T13918-01	Track Assembly (10 Ft.)
BB	1	T13918-02	Track Assembly (12 Ft.)
BB	1	T13918-03	Track Assembly (14 Ft.)
BB	1	T13918-04	Track Assembly (16 Ft.)
CC	1	T13922-01	Plunger & Cylinder Assembly (See Page 17)
DD	4	K89459	Washer

# FORWARD PICKUP BASE AND CARRIAGE ASSEMBLY WITH EXTENDED CONTROL BOX (OPTIONAL)

PANZITTA SALES & SERVICE  
 72 George Avenue  
 Wilkes-Barre, PA 18705  
 570-822-6720 800-822-6720  
 www.panzittasales.com



T13972

Fig. 6

IMPORTANT: Specify Model and Serial Number of Lift. Also Symbol Number and Name of Part.

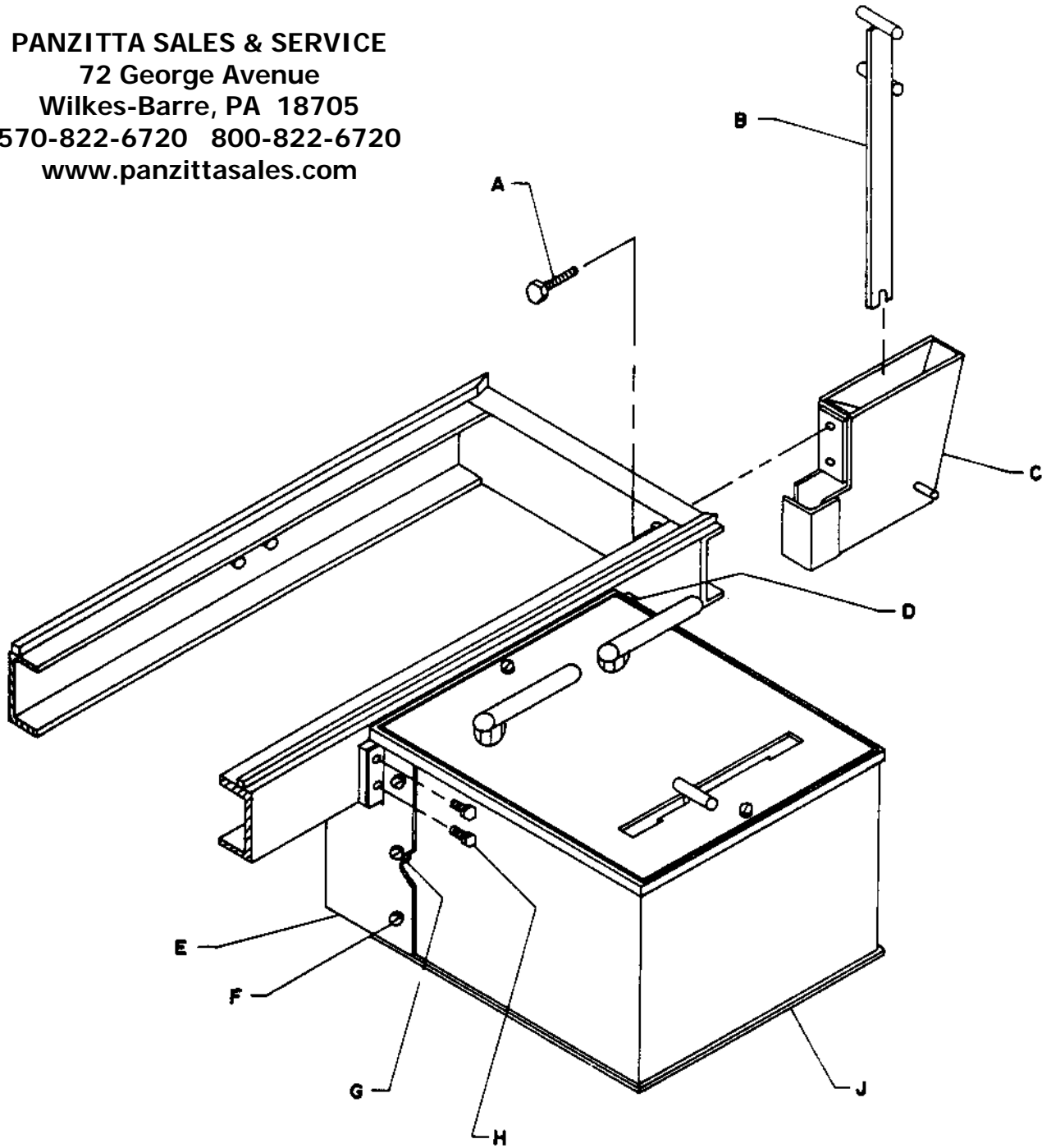
**PANZITTA SALES & SERVICE**  
 72 George Avenue  
 Wilkes-Barre, PA 18705  
 570-822-6720 800-822-6720  
 www.panzittasales.com

## FORWARD PICKUP BASE AND CARRIAGE ASSEMBLY WITH EXTENDED CONTROL BOX PARTS LIST (OPTIONAL)

Code No.	No. Req.	Symbol No.	Description
A	2	R13424	Height Adapter
B	1	K01914-50	Hex Hd. Bolt 1" -8 x 2-1/2"
C	4	Q10412-01	Hex Hd. Bolt 3/4" -10 x 2-1/4"
D	1	T13930-02	Forward Pickup Base
E	2	R13418	Forward Pickup Slide
F	2	K01902	Hex Hd. Bolt 3/8" -16 x 1"
G	2	K50775	Lockwasher 3/8"
H	10	K01945	Hex Nut 1/2" -13"
I	4	K02200	Washer 1/2"
K	4	K88531-01	Spacer
L	4	K06083-35	Set Screw 1/2" -13 x 1"
M	1	T13924	Carriage Assembly (Includes P, R, S & T)
N	1	R13415-03	Front Trench Cover Assembly
P	2	K88533	Carriage Axle
R	4	K88995	Carriage Wheel Assembly
S	4	K67240	Groove Pin 3/16" Dia. x 1-1/2"
T	1	T13923	Carriage Weldment
U	1	R13470-07	Telescoping Post & Latch Assembly
V	1	N20234-01	Stationary Tube Assembly
W	1	K88961-01	Automatic Lock Assembly (Included B, U & V)
X	16	K88438	Shim
Y	2	K01909	Hex Hd. Bolt 1/2" -13 x 1"
Z	1	R13415-04	Front Trench Cover Assembly
AA	2	R13179	Trench Cover ( 10 Ft.)
AA	3	R13179	Trench Cover ( 12 Ft.)
AA	4	R13179	Trench Cover ( 14 Ft.)
AA	5	R13179	Trench Cover ( 16 Ft.)
BB	1	T13918-01	Track Assembly (10 Ft.)
BB	1	T13918-02	Track Assembly (12 Ft.)
BB	1	T13918-03	Track Assembly (14 Ft.)
BB	1	T13918-04	Track Assembly (16 Ft.)
CC	1	T13922-01	Plunger & Cylinder Assembly (See Page 17)
DD	2	K02455	Lockwasher 1/2"
EE	1	N21712-01	Sprocket Support
FF	1	K02128	Cotter Pin 1/8" Dia. x 1"
GG	1	Q10167-13	Clevis Pin 5/8" Dia. x 1-3/4"
HH	1	K90624	Sprocket
JJ	1	K89040-17	Chain (10 Ft.)
JJ	1	K89040-18	Chain (12 Ft.)
JJ	1	K89040-19	Chain (14 Ft.)
JJ	1	K89040-20	Chain (16 Ft.)
KK	1	K78378-39	Roll Pin 3/16" Dia. x 1-3/8"
LL	4	K89459	Washer
MM	1	K90604	Anchor Rod Assembly
NN	1	Q10977-03	Locknut 5/16" -18
PP	1	K78378-48	Rollpin 5/32" Dia. x 3/4"

# STANDARD CONTROL BOX AND RATCHET CUP

PANZITTA SALES & SERVICE  
 72 George Avenue  
 Wilkes-Barre, PA 18705  
 570-822-6720 800-822-6720  
 www.panzittasales.com



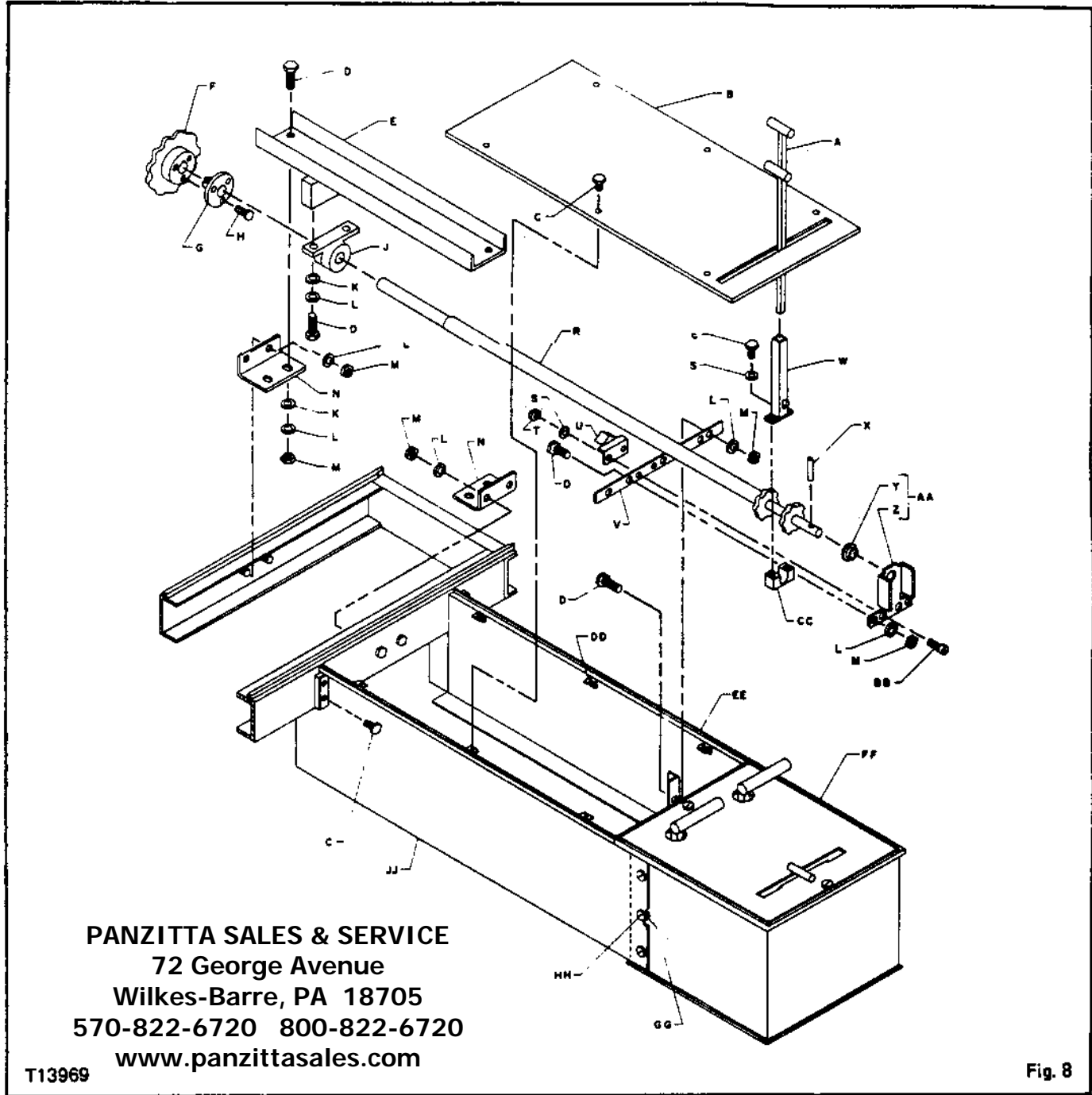
T11879

Fig. 7

Code	No. Req.	Symbol No.	Description
A	2	K03782	Hex. Hd. Bolt 5/16"-18 x 1-3/4"
B	1	N20309	Lever Assembly
C	1	R14470	Ratchet Cup
D	1	R13489-01	Mounting Bracket (R. H.)
E	1	R13489-02	Mounting Bracket (L. H.)
F	6	K60521-24	Self Tapping Screw #14 x 5/8"
G	6	K66871	Flat Washer
H	4	K05287	Hex Hd. Bolt 1/4"-20 x 1/2"
J	1	T09396	Control Box Assembly (See Page 16)

**IMPORTANT: Specify Model and Serial Number of Lift. Also Symbol Number and Name of Part.**

# EXTENDED CONTROL BOX



**PANZITTA SALES & SERVICE**  
 72 George Avenue  
 Wilkes-Barre, PA 18705  
 570-822-6720 800-822-6720  
 www.panzittasales.com

T13969

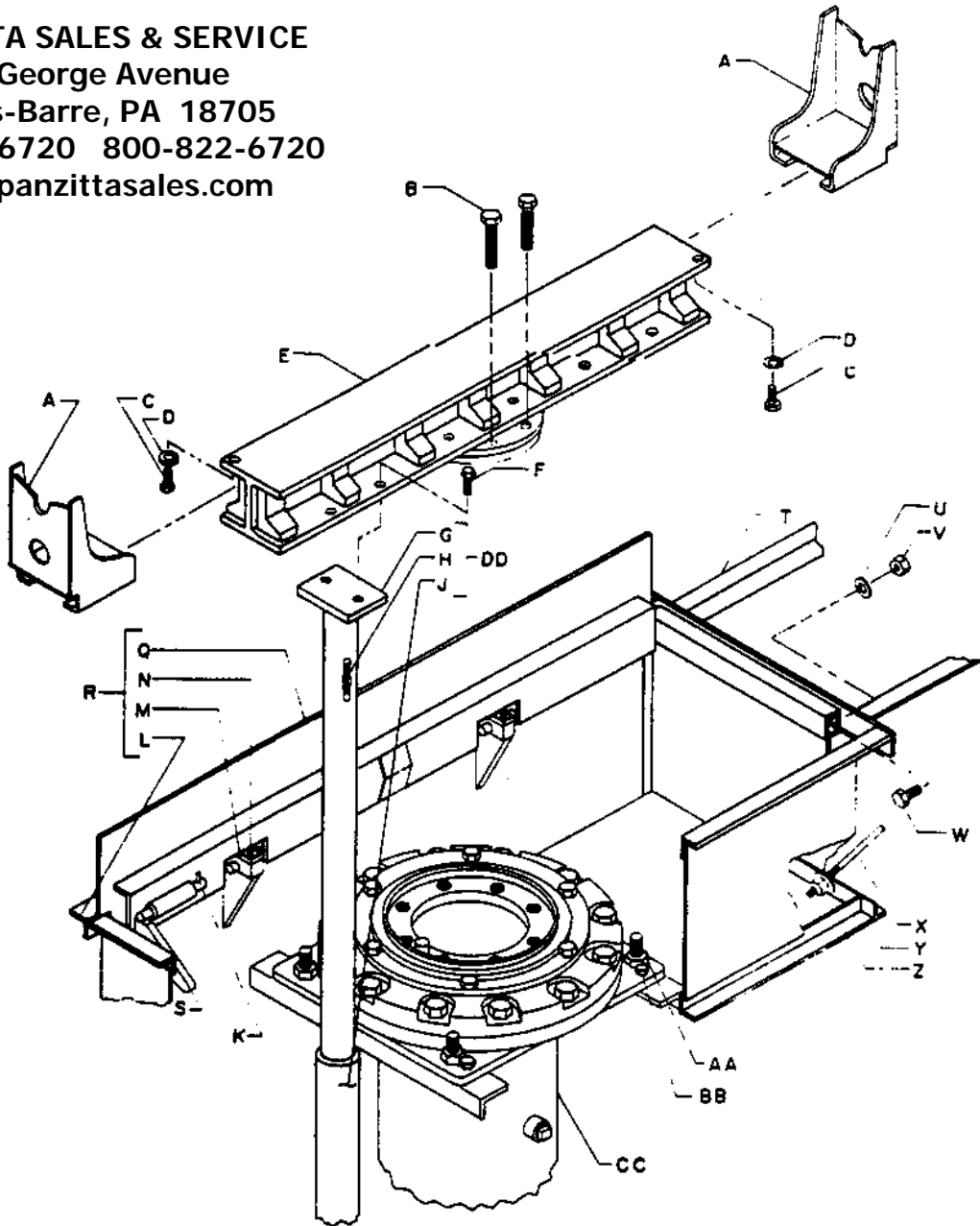
Fig. 8

Code No.	No. Req.	Symbol No.	Description	Code No.	No. Req.	Symbol No.	Description
A	1	R18171-01	Ratchet Handle	U	1	K90607	Stop Weldment
B	1	T13872-01	Extension Box Cover	V	1	N21480	Ratchet Support Bar
C	12	K05287	Hex Hd. Bolt 1/4" -20 x 1/2"	W	1	N21714	Handle Holder Assembly
D	10	K01902	Hex Hd. Bolt 3/8" -16 x 1"	X	1	K78378-39	Roll Pin 3/16" Dia. x 1-3/8"
E	1	N21458-01	Bearing Mounting Bracket	Y	1	N17708-40	Flanged Bearing
F	1	K90615	Sprocket	Z	1	N21474	Ratchet Support Weldment
G	1	K90616	Split Taper Bushing	AA	1	N21470	Ratchet Support Assembly (Includes Y & Z)
H	3	K07565	Hex Hd. Bolt 5/16" -18 x 1"	BB	2	Q10033-69	Socket Hd. Cap Screw 1/4" -20 x 3/4"
J	1	K90618	Pillow Block	CC	1	K90609	Pivot Block
K	6	K02206	Flat Washer 3/8"	DD	6	K81038-24	Speed Nut 1/4" -20
L	14	K50775	Lockwasher 3/8"	EE	1	T09499-05	Side Panel Weldment (R.H.)
M	12	K01943	Hex Nut 3/8" -16	FF	1	T09398	Control Box Assembly (See Page 16)
N	2	N21769	Support Bracket	GG	6	K66871	Flat Washer
R	1	N21717-02	Sprocket Shaft Assembly	HH	6	K60621-24	Self Tapping Screw #14 x 5/8"
S	4	K43948	Lockwasher 1/4"	JJ	1	T09499-08	Side Panel Weldment (L.H.)
T	2	K01941	Hex Nut 1/4" -20				

**IMPORTANT:** Specify Model and Serial Number of Lift. Also Symbol Number and Name of Part.

# REAR BOX AND AXLE SUPPORT

PANZITTA SALES & SERVICE  
 72 George Avenue  
 Wilkes-Barre, PA 18705  
 570-822-6720 800-822-6720  
 www.panzittasales.com



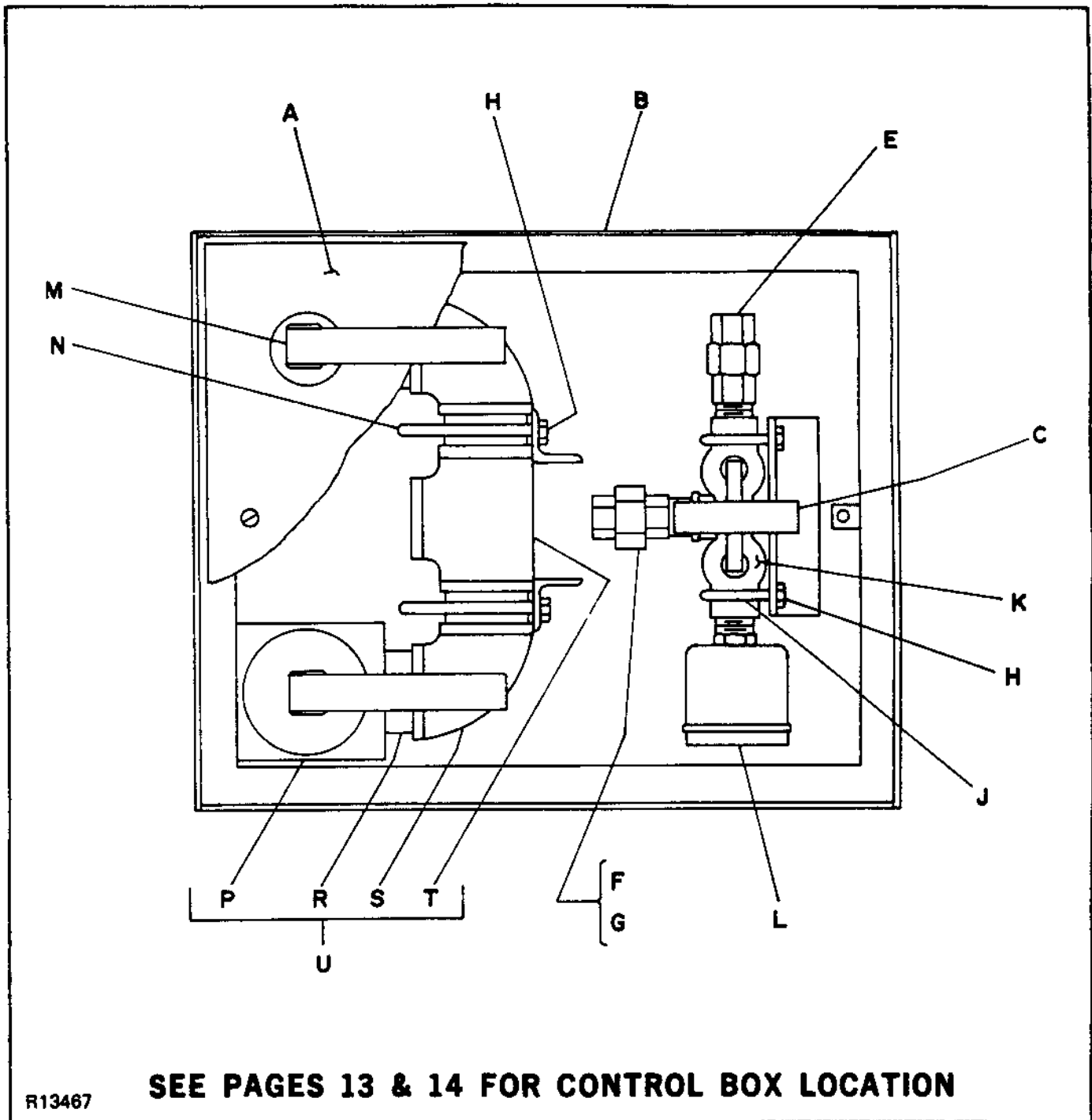
R16288

Fig. 9

Code No.	No. Req.	Symbol No.	Description	Code No.	No. Req.	Symbol No.	Description
A	2	R13488	Axle Support	R	1	T13955	Rear Box & Door Assembly (Includes L, M, N & Q)
B	8	Q10412-01	Hex Hd. Bolt 3/4" -10 x 2-1/4"	S	2	K88445-01	Door Closer
C	2	K51954	Hex Hd. Bolt 3/8" -16 x 1/2"	T	2	R14568	Wheel Locator
D	2	K50775	Lockwasher 3/8"	U	4	K66314	Flat Washer 3/8"
E	1	T13934	Axle Support Beam	V	4	K01943	Hex Nut 3/8" -16
F	2	K01914-61	Hex Hd. Bolt 3/4" -10 x 1-1/4"	W	4	K01901	Hex Hd. Bolt 3/8" -16 x 3/4"
G	1	T11967-01	Telescoping Post & Latch Assembly	X	4	K89033	Anchor Rod
H	1	K89528	Spring	Y	16	K02204	Flat Washer 1/4"
J	1	N20215-02	Stationary Tube Assembly	Z	16	K01941	Hex Nut 1/4" -20
K	2	K78378-48	Roll Pin 5/32" Dia. x 3/4"	AA	4	K01948	Hex Nut 3/4" -10
L	1	T13954	Trench Box Weldment	BB	4	K01914-40	Hex Hd. Bolt 1/2" -13 x 2-1/2"
M	4	K88461	Top Hinge	CC	1	T13945-01	Plunger & Cylinder Assembly (See Page 18)
N	8	Q10098-48	Flat Hd. Socket Screw 3/8" -16 x 3/4"	DD	1	K89528-01	Automatic Lock Assy. (Includes G, H & J)
Q	2	T13941	Rear Box Door				

**IMPORTANT: Specify Model and Serial Number of Lift. Also Symbol Number and Name of Part.**

# CONTROL BOX ASSEMBLY



R13467

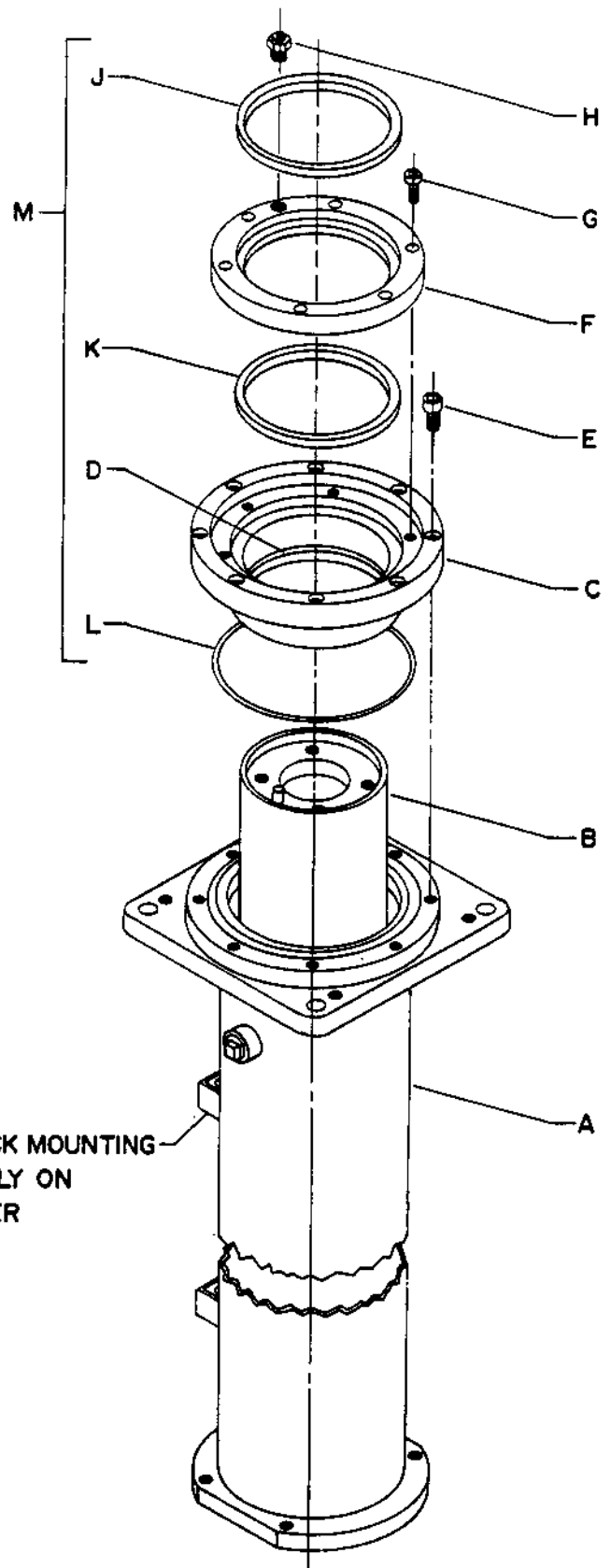
Code	No. Req.	Symbol No.	Description
A	1	R13352	Cover
B	1	T09397	Control Box
C	1	N19184	Air Control Handle Extension
E	2	K62835	Male-Female Union 1/2"
F	1	K44745	Nipple 1/2" x 1-1/2"
G	1	K07801	Elbow 1/2" x 90°
H	8	K01941	Hex Nut 1/4" -20
J	2	K67996-02	U-Bolt 1/4" -20
K	1	K85963-03	Air Valve (see Page 20, Fig. 1)

Code	No. Req.	Symbol No.	Description
L	1	K81439	Muffler
M	2	N19802	Oil Control Handle Extension
N	2	K13758	U-Bolt 1/4" -20
P	2	R14487	Oil Valve (see Page 19, Fig. 2)
R	4	R11494-51	Nipple 1-1/4" x 1-5/8"
S	2	K47803	Elbow 1-1/4" x 90°
T	1	K02309A01	Tee 1-1/4"
U	1	T09398	Oil Valve & Tee Assembly (includes P, R, S & T)

**IMPORTANT:** Specify Model and Serial Number of Lift. Also Symbol Number and Name of Part.

# PLUNGER AND CYLINDER ASSEMBLY (FRONT)

Code No.	No. Req.	Symbol No.	Description
	1	T13922-01	Plunger & Cylinder Assy.
A	1	T13919-G1	Cylinder Assembly
B	1	T13917-G2	Plunger Assembly
C	2	T13911-02	Upper Bearing
D	2	K93210-02	Felt Wiper
E	16	Q10034-82	Soc. Hd. Bolt 1/2" -13 x 2"
F	2	T13915-01	Wiper Retainer
G	12	Q10034-28	Soc. Hd. Bolt 3/8" -16 x 3/4"
H	2	N21812-G1	Air Vent
J	2	K93211	Wiper
K	2	K92328	Seal
L	2	Q10088-30	O-Ring
M	2	K34152	Seal Kit (Includes D,J,K&L)

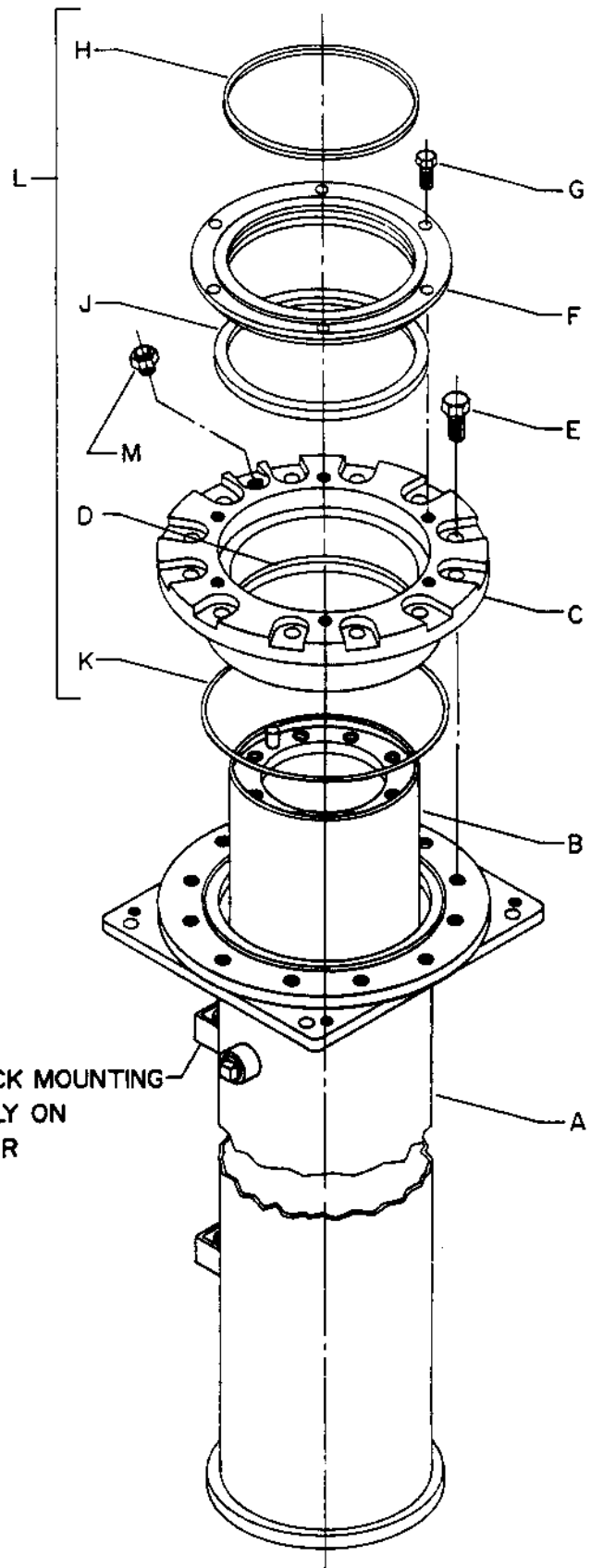


\*WHEN ORDERING PLUNGER ASSY. OR CYLINDER ASSY. SPECIFY SYMBOL NO. ALSO CODE LETTER STAMPED ON TOP OF PLUNGER.

AUTOMATIC LOCK MOUNTING BRACKETS ONLY ON REAR CYLINDER

# PLUNGER AND CYLINDER ASSEMBLY (REAR)

Code No.	No. Req.	Symbol No.	Description
	1	T13945-01	Plunger & Cylinder Assembly
A	1	T13939-G1	Cylinder Assembly
B	1	T13935-G1	Plunger Assembly
C	1	T13943-02	Upper Bearing
D	1	K93210-01	Felt Wiper
E	12	Q10412-01	Hex Hd. Bolt 3/4" -10 x 2-1/4"
F	1	R18229	Wiper Retainer
G	6	K01907	Hex Hd. Bolt 7/16" -14 x 1-1/2"
H	1	K93212	Wiper
J	1	K89512	Seal
K	1	K93213-01	O-Ring
L	1	K34151	Seal Kit (Includes D,H,J&K)
M	1	N21812-G1	Air Vent



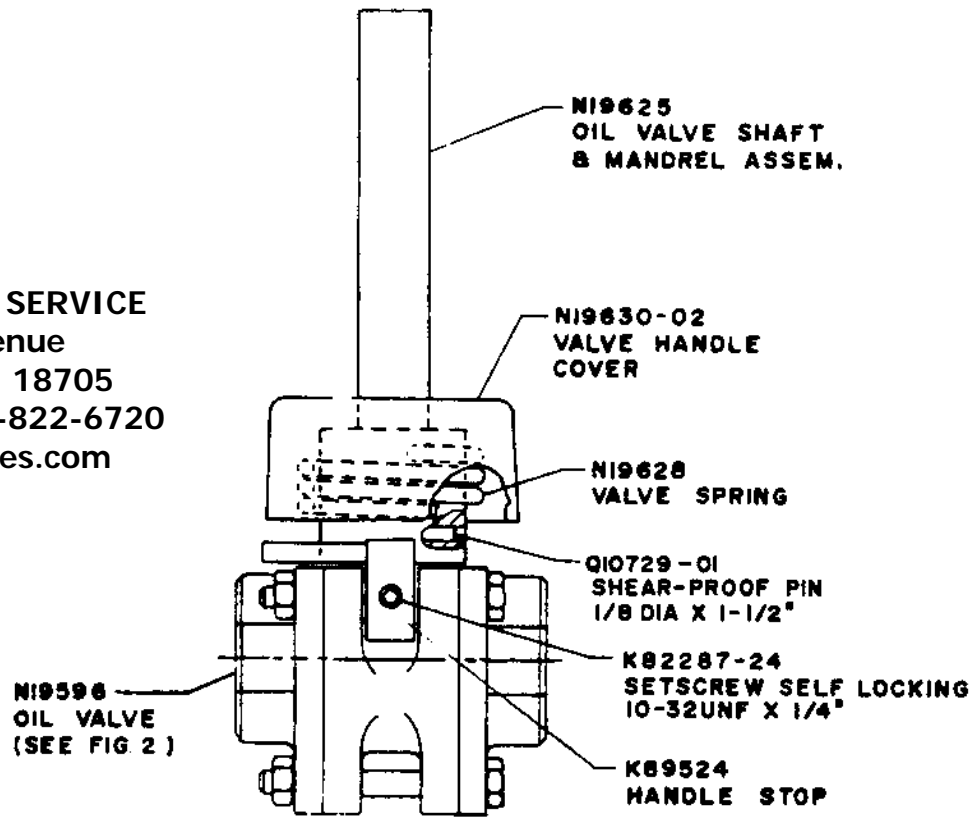
**PANZITTA SALES & SERVICE**  
 72 George Avenue  
 Wilkes-Barre, PA 18705  
 570-822-6720 800-822-6720  
 www.panzittasales.com

\*WHEN ORDERING PLUNGER ASSY,  
 SPECIFY SYMBOL NO. AND CODE  
 LETTER  
 STAMPED ON TOP OF PLUNGER.

AUTOMATIC LOCK MOUNTING  
 BRACKETS ONLY ON  
 REAR CYLINDER

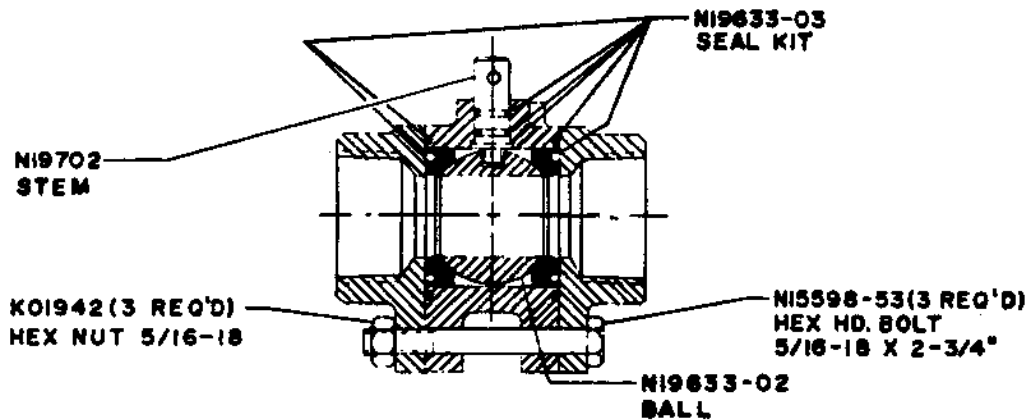
# OIL VALVE

PANZITTA SALES & SERVICE  
 72 George Avenue  
 Wilkes-Barre, PA 18705  
 570-822-6720 800-822-6720  
 www.panzittasales.com



FLOOR CONTROL  
 COMPLETE OIL VALVE  
 ASSEMBLY R14467  
 FIG. 1

**NOTE:** THE OIL VALVE REPAIR KIT K34124 IS TO CHANGE METHOD OF ASSEMBLING VALVE STEM & MANDREL FROM SETSCREW TO SHEAR-PROOF PIN. (NOTE: FOR VALVE STEMS & MANDRELS WHICH ARE ALREADY PINNED, ORDER INDIVIDUAL PARTS AS NEEDED).

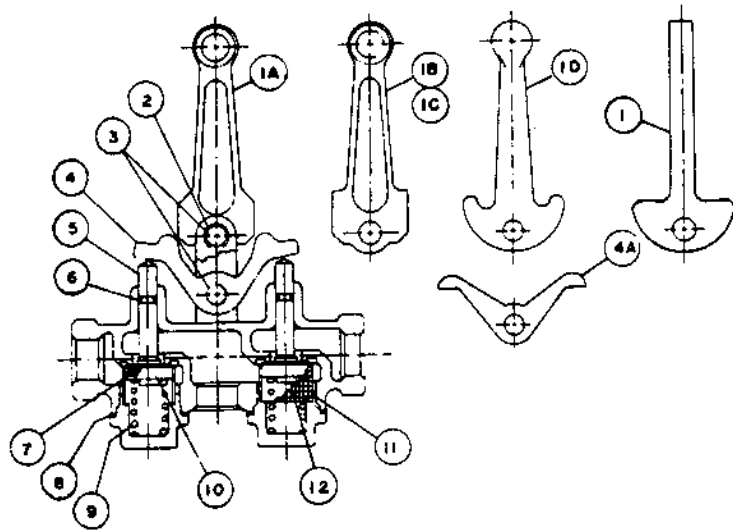


REPLACEMENT PARTS FOR OIL VALVE N19596  
 FIG. 2

N20339

**IMPORTANT:** Specify Model and Serial Number of Lift. Also Symbol Number and Name of Part.

# AIR VALVE



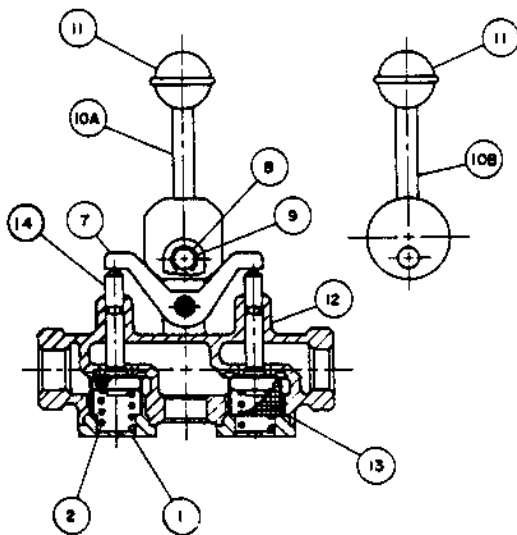
QTY	SYMBOL NO.		DESCRIPTION
	CONS. BRASS	KINGSTON	
1		N19106	LEVER, FLOOR CONTROL
1A	N19494-26		LEVER, LOCKING
1B	N19494-27		LEVER, NON-LOCKING
1C		K82714-20	LEVER, LOCKING
1D		K82714-39	LEVER, NON-LOCKING
2	N19494-32	N19494-32	RETAINING RING
3	N19494-30	N19494-30	CLEVIS PIN
4	N19494-29		ROCKER ARM
4A		K82714-23	ROCKER ARM
5	N19494-26	K82714-28	STEM
6	N19494-21	K82714-27	"O" RING
7	N19494-22	K82714-29	SEAT WASHER
8	N19494-23		FIBER WASHER
9	N19494-20	K82714-32	SPRING
10	N19494-25	K82714-30	SEAT HOLDER
11	N19494-31		SCREEN
12		K82714-31	STEM NUT

FIG. 1

TO ORDER A COMPLETE VALVE ASSEMBLY, THE PART NUMBERS ARE:  
 LOCKING TYPE (FULL HYDRAULIC WALL CONTROL) - K68832  
 DEADMAN TYPE (SEMI-HYDRAULIC WALL CONTROL) - K85963 & K85963-02  
 DEADMAN TYPE (ALL FLOOR CONTROL) - K85963-03

FOR AIR VALVE REPLACEMENT PARTS, FIRST DETERMINE MFR. OF VALVE:  
 IF MFR. IS KINGSTON, USE PARTS LIST ABOVE (FIG. 1).  
 IF MFR. IS CONSOLIDATED BRASS AND VALVE HAS A ONE-PIECE CAST HANDLE,  
 USE PARTS LIST ABOVE (FIG. 1)  
 IF MFR. IS CONSOLIDATED BRASS AND VALVE HAS A TWO-PIECE HANDLE WITH  
 A PLASTIC KNOB, USE PARTS LIST BELOW (FIG. 2)

**PANZITTA SALES & SERVICE**  
 72 George Avenue  
 Wilkes-Barre, PA 18705  
 570-822-6720 800-822-6720  
 www.panzittasales.com



QTY	SYMBOL NO.		DESCRIPTION
	CONS. BRASS		
1	N20389-01	2	CAP
2	N20389-02	2	SPRING
7	N20389-07	1	ROCKER
8	N20389-08	2	CLEVIS PIN
9	N20389-09	4	RETAINING RING
10A	N20389-10	1	LEVER, LOCKING
10B	N20389-11	1	LEVER, NON-LOCKING
11	N20389-12	1	KNOB
12	N20389-13	1	BODY
13	N20389-14	2	SCREEN
14	N20389-15	2	STEM ASSEMBLY

FIG. 2

R14580

**IMPORTANT: Specify Model and Serial Number of Lift. Also Symbol Number and Name of Part.**