

PANZITTA SALES & SERVICE  
72 George Avenue  
Wilkes-Barre, PA 18705  
570-822-6720 800-822-6720  
www.panzittasales.com

# MANITOWOC LIFTS

PARTS LIST

## FORE & AFT

ELECTRIC OIL OPERATED ADJUSTABLE TRUCK LIFT

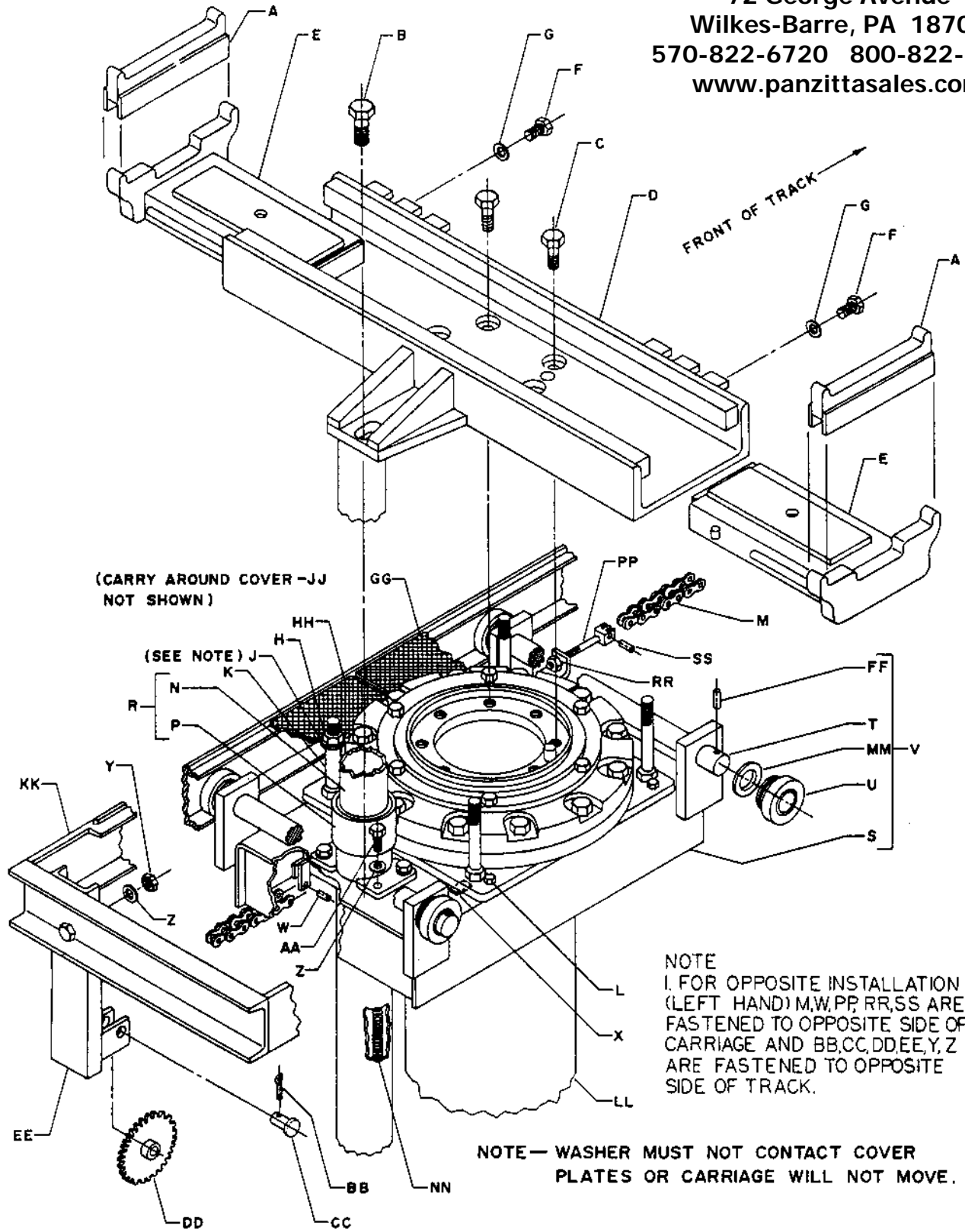
**A-3FM5A**

**54,000 LBS CAPACITY @ 260-270 PSI**

**18,000 LBS CAPACITY FRONT**

**36,000 LBS CAPACITY REAR**

A-3FM5A.max



TI3974

FIG. 7

**PARTS LIST FOR FORWARD PICK UP BASE AND CARRIAGE ASSEMBLY WITH AUTOMATIC LOCK**

A-3FM5A

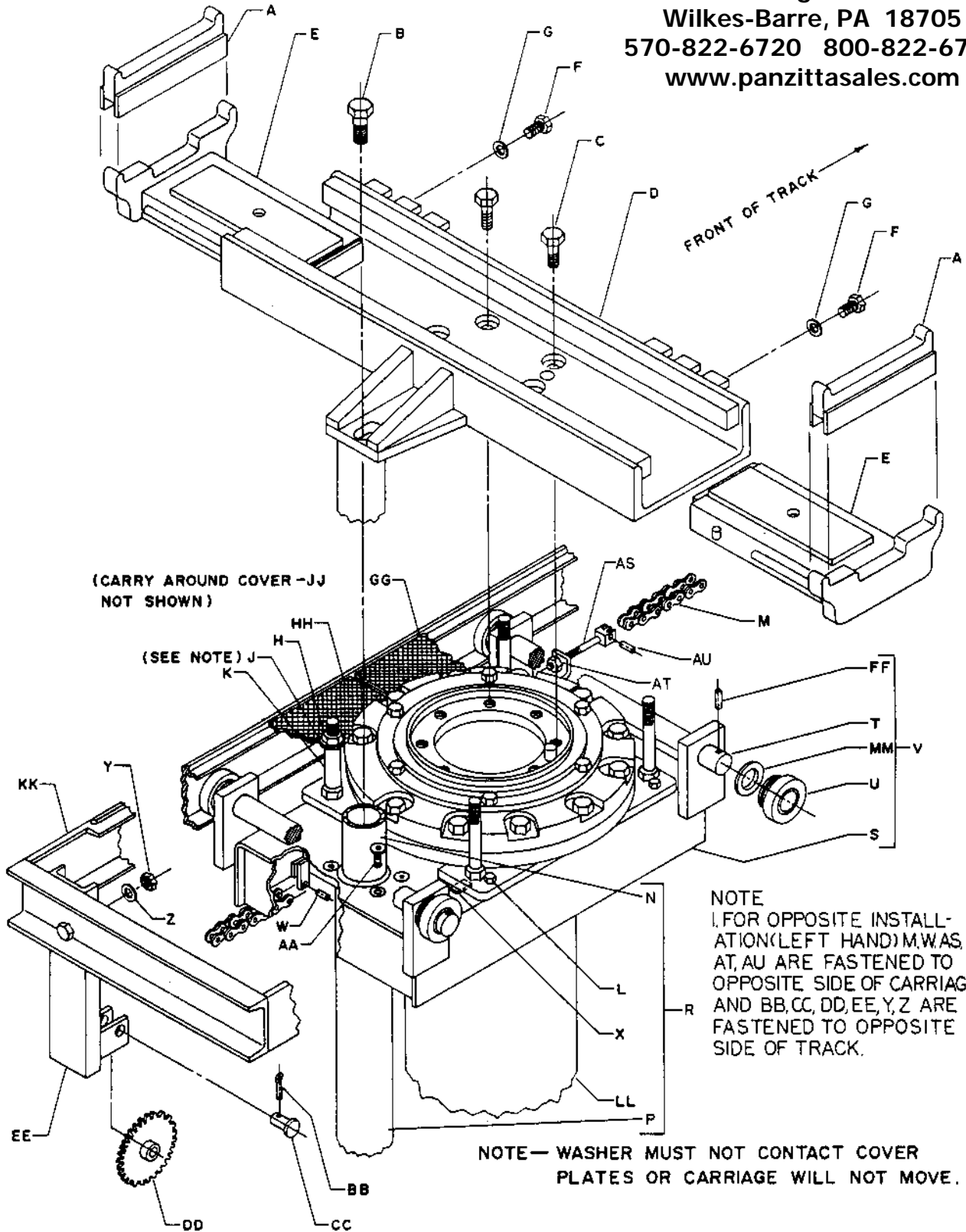
A-3FM5A.max

**PANZITTA SALES & SERVICE**  
**72 George Avenue**  
**Wilkes-Barre, PA 18705**  
**570-822-6720 800-822-6720**  
**www.panzittasales.com**

When ordering replacement parts, always mention lift model number and serial number.

Code No. No. Req.	Symbol No.	Description	Code No. No. Req.	Symbol No.	Description
A 2	R13323	Height Adapter	Y 2	K01945	Hex Nut 1/2"-13
B 1	K01914-50	Hex Hd. Bolt 1"-8 x 2-1/2"	Z 6	K02455	Lockwasher 1/2"
C 6	Q10412-01	Hex Hd. Bolt 3/4"-10 x 2-1/4"	AA 4	K01909	Hex Hd. Bolt 1/2"-13 x 1"
D 1	T13949	Forward Pick-up Base	BB 1	K02128	Cotter Pin 1/8" Dia. x 1"
E 2	R13487	Forward Pick-up Slide	CC 1	Q10167-13	Clevis Pin 5/8" x 1-3/4"
F 2	K01902	Hex Hd. Bolt 3/8"-16 x 1"	DD 1	K90624	Sprocket Assembly
G 2	K50775	Lockwasher 3/8"	EE 1	N21712-01	Sprocket Support (Rear)
H 8	K01948	Hex Nut 3/4"-10	FF 4	K50511	Groove Pin 3/16" Dia. x 2"
J 4	K06011	Flat Washer	GG 1	R13389-04	Cover Assembly
K 4	K88446-06	Spacer	HH 1	R13389-05	Cover Assembly
L 4	K01914-40	Hex Hd. Bolt 1/2"-13 x 2-1/2"	JJ 3	R13299	Cover Assembly (10 Ft., 11 Ft., 12 Ft.)
M 1	K89040-17	Chain (10 Ft.)	JJ 4	R13299	Cover Assembly (13 Ft., 14 Ft.)
M 1	K89040-24	Chain (11 Ft.)	JJ 5	R13299	Cover Assembly (15 Ft., 16 Ft.)
M 1	K89040-18	Chain (12 Ft.)	JJ 6	R13299	Cover Assembly (17 Ft., 18 Ft.)
M 1	K89040-25	Chain (13 Ft.)	JJ 7	R13299	Cover Assembly (19 Ft., 20 Ft.)
M 1	K89040-19	Chain (14 Ft.)	JJ 8	R13299	Cover Assembly (21 Ft., 22 Ft.)
M 1	K89040-26	Chain (15 Ft.)	KK 1	R19000-01	Track Kit (10 Ft.)
M 1	K89040-20	Chain (16 Ft.)	KK 1	R19000-02	Track Kit (11 Ft.)
M 1	K89040-27	Chain (17 Ft.)	KK 1	R19000-03	Track Kit (12 Ft.)
M 1	K89040-21	Chain (18 Ft.)	KK 1	R19000-04	Track Kit (13 Ft.)
M 1	K89040-28	Chain (19 Ft.)	KK 1	R19000-05	Track Kit (14 Ft.)
M 1	K89040-22	Chain (20 Ft.)	KK 1	R19000-06	Track Kit (15 Ft.)
M 1	K89040-29	Chain (21 Ft.)	KK 1	R19000-07	Track Kit (16 Ft.)
M 1	K89040-23	Chain (22 Ft.)	KK 1	R19000-08	Track Kit (17 Ft.)
N 1	T11968-01	Telescoping Post Assembly	KK 1	R19000-09	Track Kit (18 Ft.)
P 1	N20224-01	Stationary Tube Assembly	KK 1	R19000-10	Track Kit (19 Ft.)
R 1	K89529-01	Automatic Lock Assembly (Includes B, N, P & NN)	KK 1	R19000-11	Track Kit (20 Ft.)
S 1	T18511-G1	Carriage Weldment	KK 1	R19000-12	Track Kit (21 Ft.)
T 2	N20283	Carriage Axle	KK 1	R19000-13	Track Kit (22 Ft.)
U 4	K89017	Carriage Wheel Assembly	LL 1	T13944-01	Plunger & Cylinder Assembly
V 1	T18512-G1	Carriage Assembly (Includes S, T, U, FF & MM)	MM 4	K89458	Washer
W 1	K78378-39	Roll Pin 3/16 Dia. x 1-3/8"	NN 1	K89526	Spring
X 16	K88438	Shim	PP 1	K90604	Anchor Rod Assembly
			RR 1	Q10977-03	Locknut 5/16"-18
			SS 1	K78378-48	Rollpin 5/32" Dia. x 1-3/8"

A-3FM5A.max



T18525

FIG. 8

**FORWARD PICK UP BASE AND CARRIAGE ASSEMBLY  
 WITH OPTIONAL REMOTE CONTROL LOCK LEG**

A-3FM5A

A-3FM5A.max

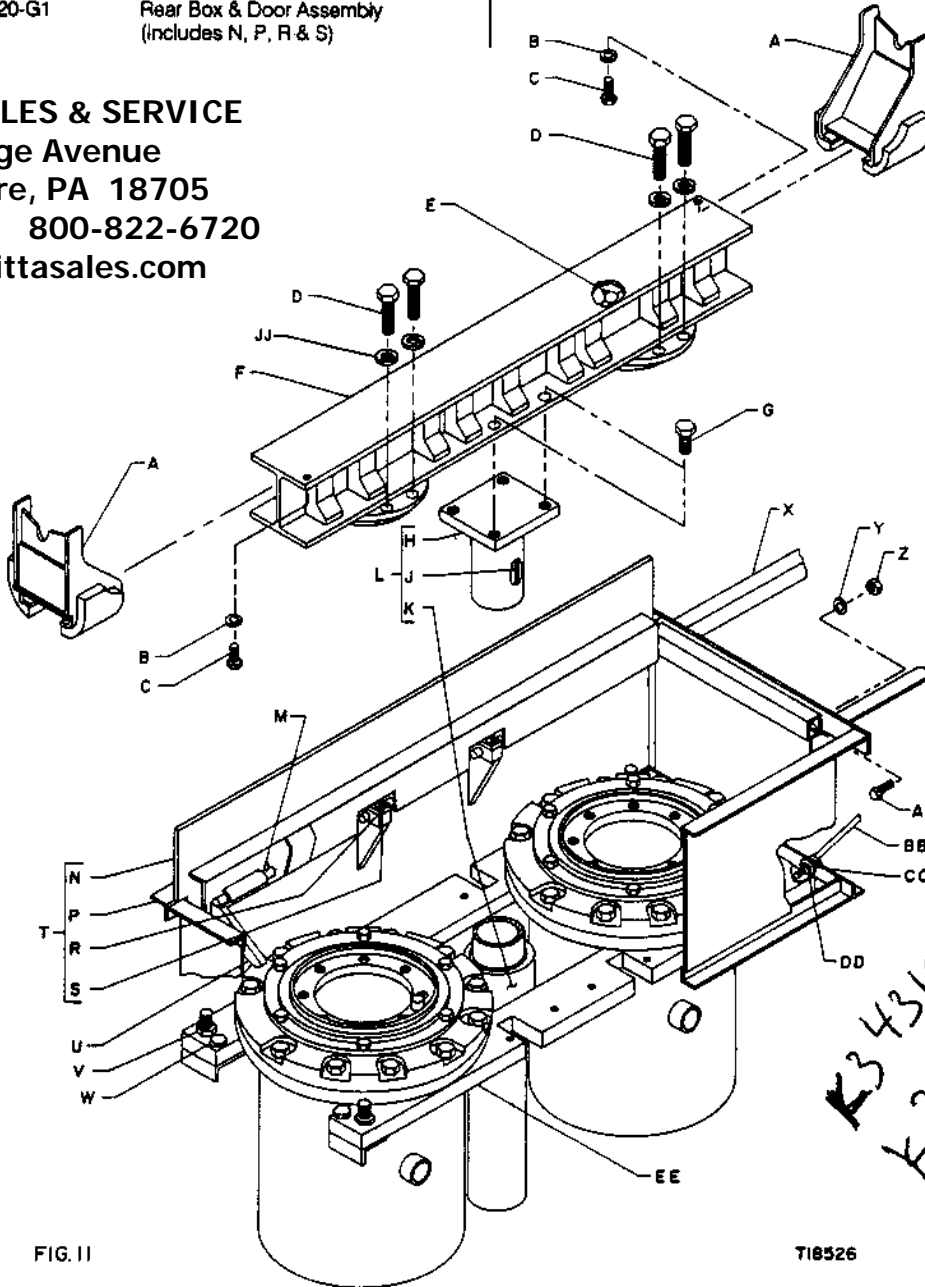


When ordering replacement parts, always mention lift model number and serial number.

Code No.	No. Req.	Symbol No.	Description
A	2	R14612	Rear Axle Support
B	4	K50775	Lockwasher 3/8"
C	8	K51954	Hex Hd. Bolt 3/8"-16 x 1/2"
D	8	Q10412-01	Hex Hd. Bolt 3/4"-10 x 2-1/4"
E	1	Q10157-02	Grease Fitting
F	1	T18510-G1	Rear Axle Support Beam
G	4	K01914-61	Hex Hd. Bolt 3/4"-10 x 1-1/4"
H	1	T13116	Inner Post Assembly
J	1	K89526	Spring
K	1	N21833-G1	Outer Tube Assembly
L	1	K93577-G1	Automatic Lock Leg Assy. (Includes H, J & K)
M	2	K78378-48	Roll Pin 5/32" Dia. x 3/4"
N	2	T18516-G1	Door Rear Box
P	1	T18519-G1	Rear Box
R	4	K88461	Top-Hinge
S	8	Q10098-48	Flat Hd. Screw 3/8"-16 x 3/4"
T	1	T18520-G1	Rear Box & Door Assembly (includes N, P, R & S)

Code No.	No. Req.	Symbol No.	Description
U	2	K88445-01	Door Closer
V	4	K01948	Hex Nut 3/4"-10
W	4	K01914-40	Hex Hd. Bolt 1/2"-13 x 2-1/2"
X	2	R14568	Wheel Locator
Y	6	K66314	Flat Washer 3/8"
Z	4	K01943	Hex Nut 3/8"-16
AA	4	K01901	Hex Hd. Bolt 3/8"-16 x 3/4"
BB	4	K89033	Anchor Rod
CC	16	K02204	Flat Washer 1/4"
DD	16	K01941	Hex Nut 1/4"-20
EE	1	T14000-G1	Dual Plunger & Cylinder Assy. (See Page 23)
FF	2	K05287	Hex Hd. Bolt 1/4"-20 x 1/2"
GG	1	T13113	Cover Bracket
HH	1	T13112-02	Cover Support Bracket Assembly
JJ	8	B-104-47	Lockwasher 3/4"

**PANZITTA SALES & SERVICE**  
 72 George Avenue  
 Wilkes-Barre, PA 18705  
 570-822-6720 800-822-6720  
 www.panzittasales.com



*K34310 - w/o FIBREGLASS*  
*K34311 w/ FIBREGLASS*

FIG. II

T18526

**REAR TRENCH BOX AND AXLE SUPPORTS**

A-3FM5A

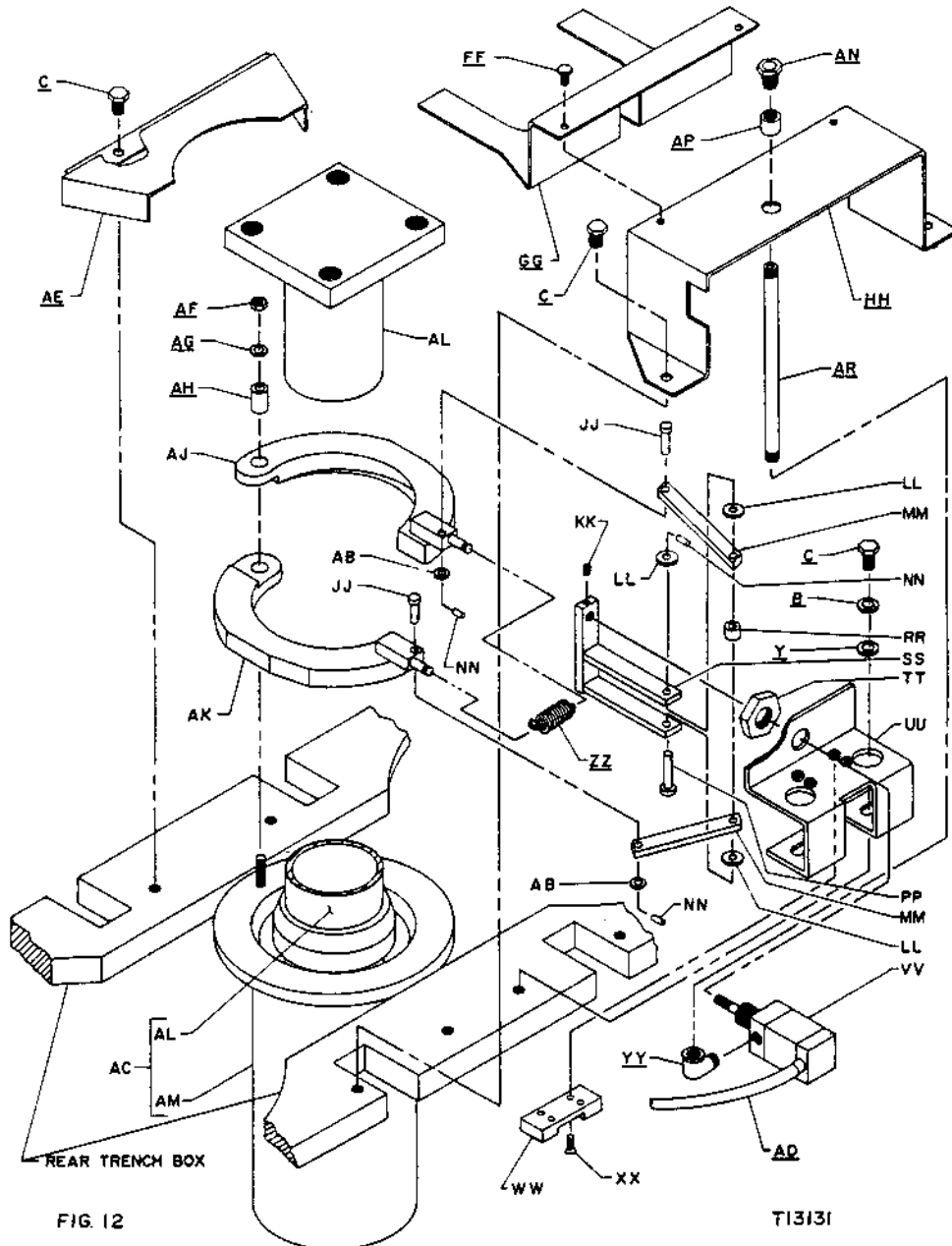
A-3FM5A.max

When ordering replacement parts, always mention lift model number and serial number.

Code No. No. Req.	Symbol No.	Description
JJ	2	Q10167-09 Clevis Pin 1/4" Dia. x 1"
KK	1	K82287-24 Set Screw #10-32 x 1/4"
LL	3	K86801-04 Washer
MM	2	K89571-02 Linkage Bar
NN	3	Q10038-19 Spirol Pin 3/32" Dia. x 5/8"
PP	1	Q10167-08 Clevis Pin 1/4" Dia. x 1-3/4"
RR	1	K90181 Spacer
SS	1	N21373 Actuator Assembly
TT	1	Q10404-03 Jam Nut 3/4"-10
UU	1	R14606-02 Mounting Bracket Assembly
VV	1	K90133 Air Valve
WW	1	K90198 Wear Block
XX	4	K02061-34 Flat Hd. Screw #10-32 x 3/4"
YY	1	K57834 Street Elbow 1/8" x 90°
ZZ	1	K91205 Spring

Code No. No. Req.	Symbol No.	Description
AB	2	K66871 Flat Washer
AC	1	K95002 Remote Control Leg Assembly (Includes AL & AM)
AD	1	K90150-02 Air Hose
AE	1	T13115 Cover
AF	1	K01942 Hex Nut 5/16"-18
AG	1	K02205 Flat Washer 5/16"
AH	1	K77749-04 Spacer
AJ	1	N21344 Jaw Assembly (Rear R.H.)
AK	1	N21345 Jaw Assembly (Rear L.H.)
AL	1	T19000 Inner Post Assembly
AM	1	N23002 Outer Post Assembly
AN	1	Q10850-01 Breather Vent
AP	1	K40379 Coupling 1/8"
AR	1	N16927-17 Pipe 1/8" x 11"

WHEN ORDERED WITH LIFT, PARTS SHOWN ARE SHIPPED ASSEMBLED EXCEPT FOR ITEMS UNDERLINED.



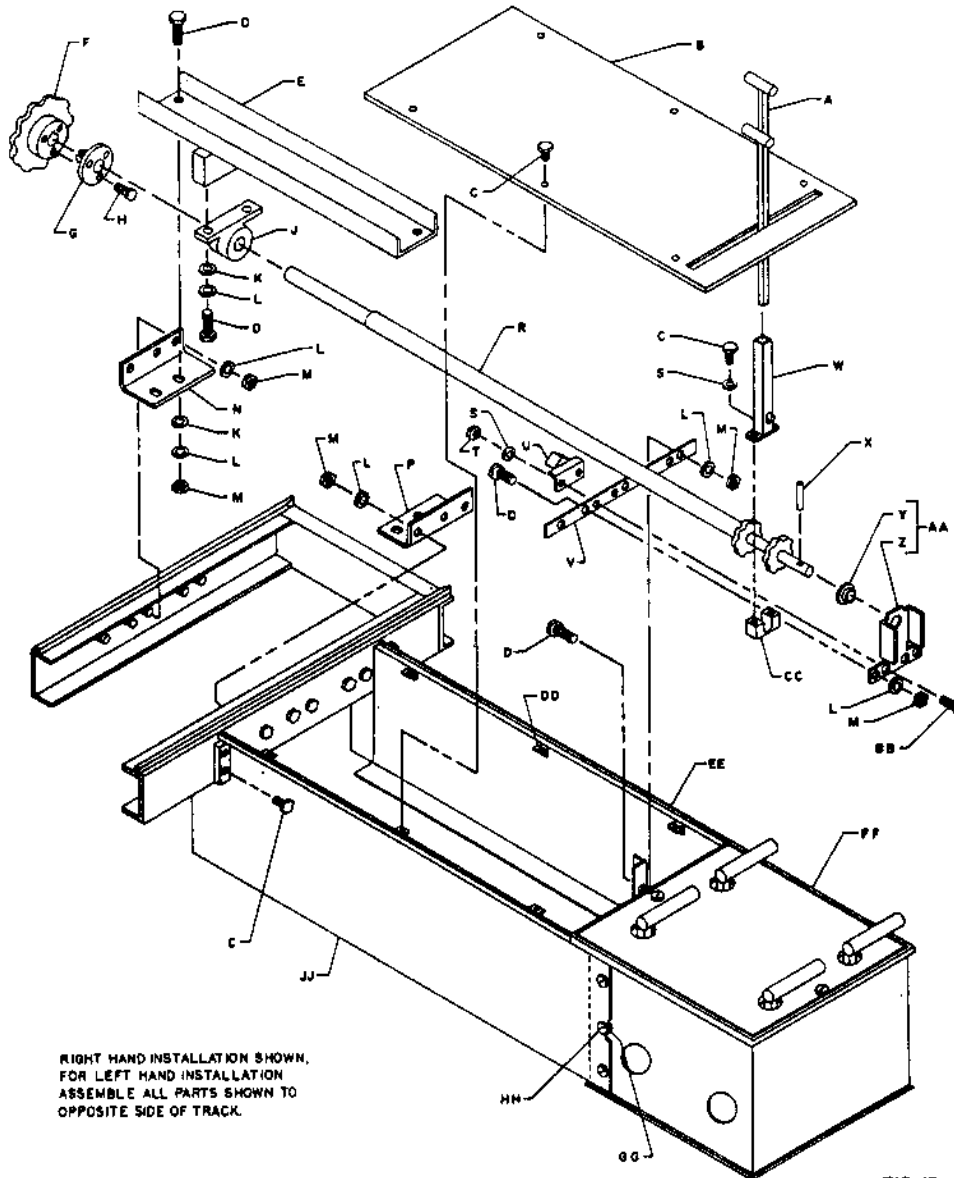
## REAR TRENCH BOX AND OPTIONAL REMOTE CONTROL LOCK LEG

A-3FM5A

A-3FM5A.max

When ordering replacement parts, always mention lift model number and serial number.

Code No. No. Req.	Symbol No.	Description	Code No. No. Req.	Symbol No.	Description
A	1	R16171-02	V	1	N21460
B	1	T13872-01	W	1	N21714
C	12	K05287	X	1	K78378-39
D	10	K01902	Y	1	N17706-40
E	1	N21456	Z	1	N21474
F	1	K90615	AA	1	N21470
G	1	K90616			
H	3	K07565	BB	2	Q10033-69
J	1	K90618	CC	1	K90609
K	6	K02206	DD	6	K81038-24
L	14	K50775	EE	1	T09499-05
M	12	K01943	FF	1	T09513
N	1	N21466-02	FF	1	T13117
P	1	N21466-01			
R	1	N21717-01	GG	6	K66871
S	4	K43948	HH	6	K60521-24
T	2	K01941	JJ	1	T09499-06
U	1	K90607			
					Ratchet Support Bar
					Handle Holder Assembly
					Roll Pin 3/16" Dia. x 1-3/8"
					Flanged Bearing
					Ratchet Support Weldment
					Ratchet Support Assembly
					(Includes Y & Z)
					Socket Hd. Cap Screw 1/4"-20 x 3/4"
					Pivot Block
					Speed Nut 1/4"-20
					Side Panel Weldment (R.H.)
					Control Box Assembly (See Page 26)
					Control Box Assembly
					(Remote Control) (See Page 27)
					Flat Washer
					Self Tapping Screw #14 x 5/8"
					Side Panel Weldment (L.H.)



T13968

FIG. 13

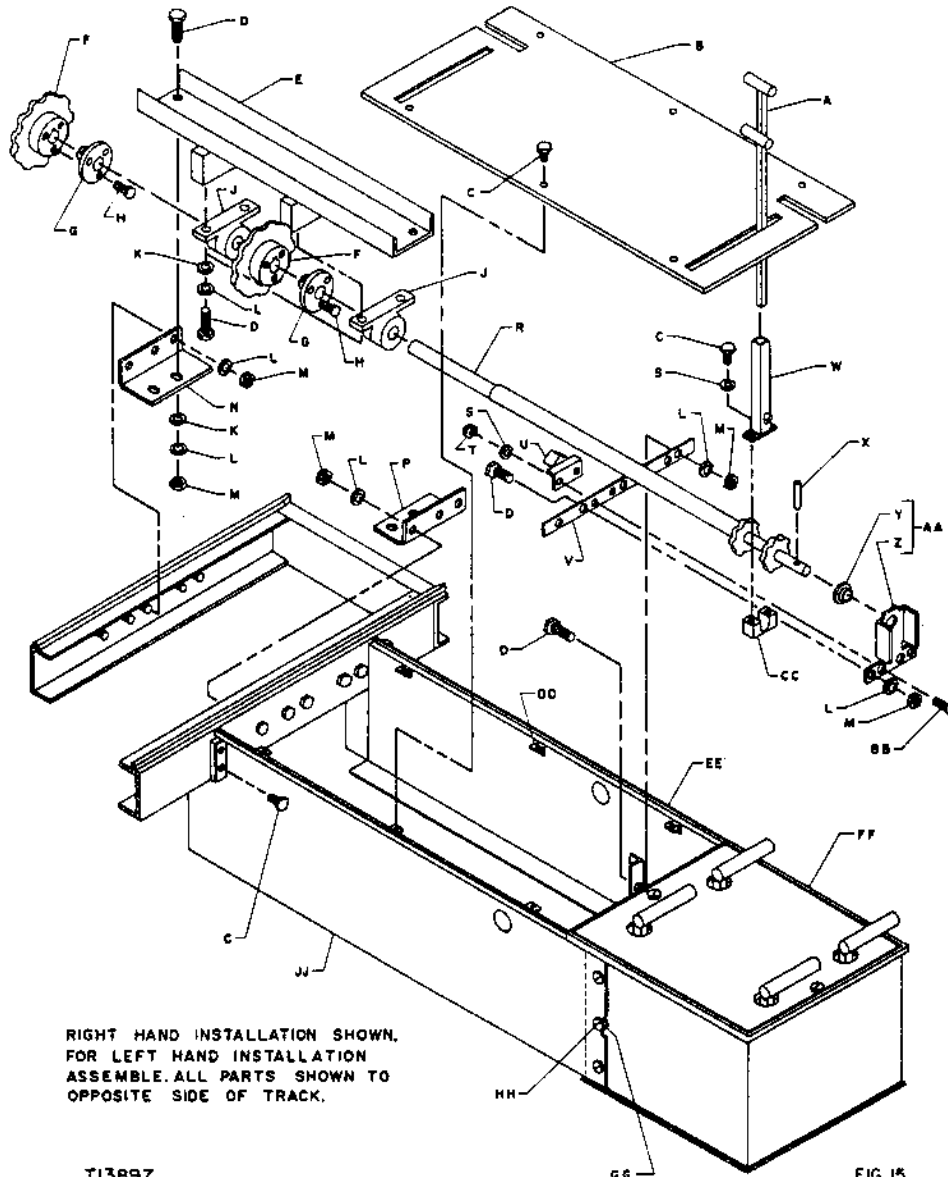
## EXTENSION BOX & CONTROL BOX

A-3FM5A

A-3FM5A.max

When ordering replacement parts, always mention lift model number and serial number.

Code No. No. Req.	Symbol No.	Description	Code No. No. Req.	Symbol No.	Description		
A	1	R16171-02	V	1	N21460	Ratchet Handle	Ratchet Support Bar
B	1	T13894	W	1	N21714	Extension Box Cover	Handle Holder Assembly
C	12	K05287	X	1	K78378-39	Hex Hd. Bolt 1/4"-20 x 1/2"	Roll Pin 3/16" Dia. x 1-3/8"
D	12	K01902	Y	1	N17706-40	Hex Hd. Bolt 3/8"-16 x 1"	Flanged Bearing
E	1	N21740	Z	1	N21474	Bearing Mounting Bracket	Ratchet Support Weldment
F	2	K90615	AA	1	N21470	Sprocket	Ratchet Support Assembly (Includes Y & Z)
G	2	K90616	BB	2	Q10033-69	Split Taper Bushing	Socket Hd. Cap Screw 1/4"-20 x 3/4"
H	6	K07565	CC	1	K90609	Hex Hd. Bolt 5/16"-18 x 1"	Pivot Block
J	2	K90618	DD	6	K81038-24	Pillow Block	Speed Nut 1/4"-20
K	8	K02206	DD	6	K81038-24	Flat Washer 3/8"	Side Panel Weldment (R.H.)
L	18	K50775	EE	1	T09499-05	Lockwasher 3/8"	Control Box Assembly (Auto Lock) (See Page 26)
M	14	K01943	FF	1	T09513	Hex Nut 3/8"-16	Control Box Assembly (Remote Control) (See Page 27)
N	1	N21466-02	FF	1	T13117	Support Bracket	Control Box Assembly
P	1	N21466-01	GG	6	K66871	Support Bracket	Flat Washer
R	1	N21717-01	HH	6	K60521-24	Sprocket Shaft Assembly	Self Tapping Screw #14 x 5/8"
S	4	K43948	JJ	1	T09499-06	Lockwasher 1/4"	Side Panel Weldment (L.H.)
T	2	K01941				Hex Nut 1/4"-20	
U	1	K90607				Stop Weldment	



T13897

FIG. 15

## EXTENSION BOX & CONTROL BOX WITH OPTIONAL POWER CARRIAGE

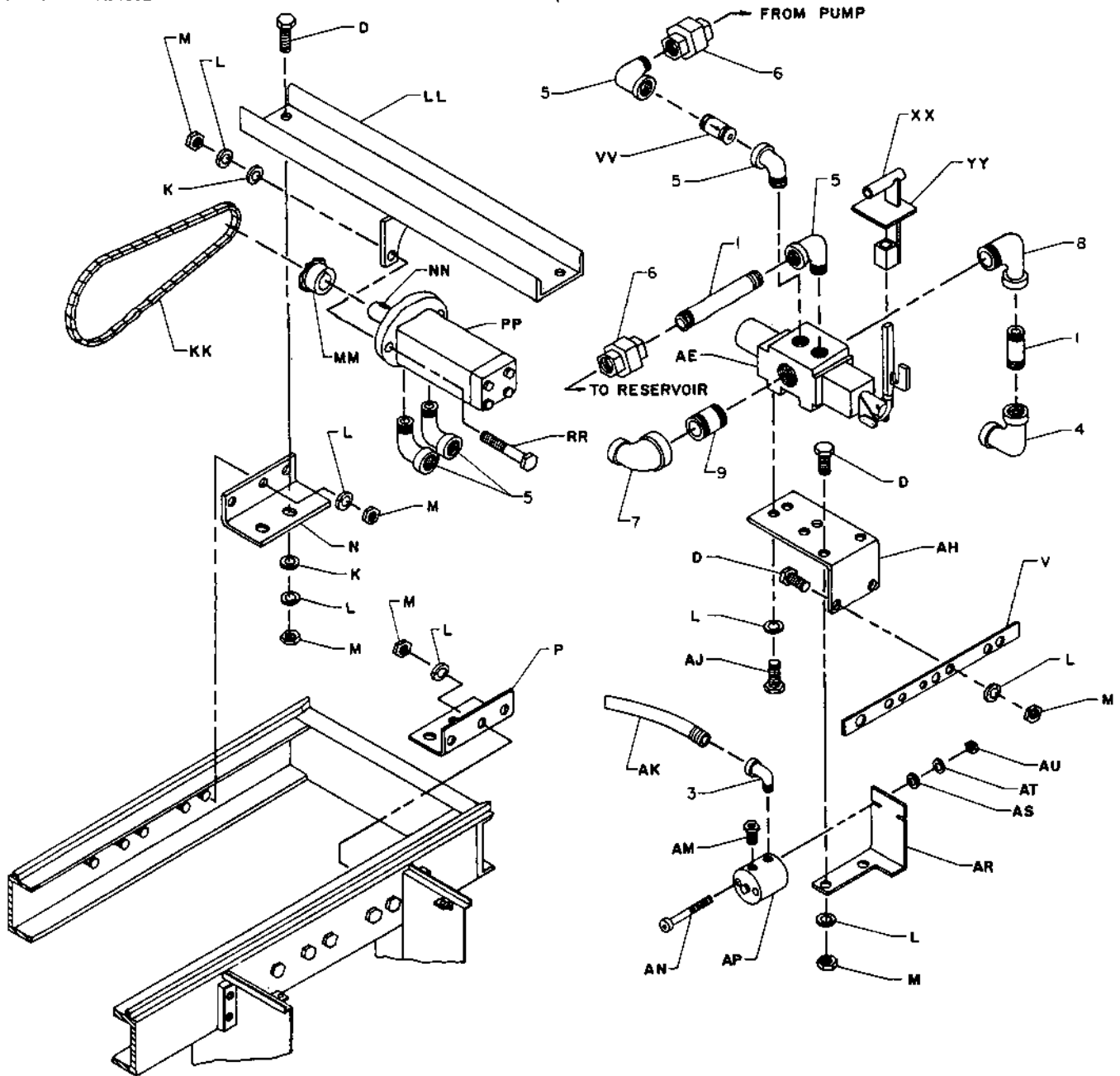
A-3FM5A

A-3FM5A.max

When ordering replacement parts, always mention lift model number and serial number.

Code No.	Symbol No.	Description
D	8	K01902 Hex Hd. Bolt 3/8"-16 x 1"
K	6	K02206 Flat Washer 3/8"
L	18	K50775 Lockwasher 3/8"
M	14	K01943 Hex Nut 3/8"-16
N	1	N21466-02 Support Bracket
P	1	N21466-01 Support Bracket
V	1	N21460 Ratchet Support Bar
KK	1	K95021 Roller Chain
LL	1	N21744 Motor Mtg. Bracket
MM	1	K90614 Sprocket
NN	1	K61559 Key 1/4" x 1"
PP	1	N21475 Hydraulic Motor
RR	2	K01954 Hex Hd. Bolt 3/8"-16 x 1-1/2"
VV	1	K91952 Orifice

Code No.	Symbol No.	Description
XX	1	N21743 Control Handle
YY	1	K91950 Control Valve Shield
AE	1	R16223 Control Valve Assy.
AH	1	R16224 Valve Mounting Bracket
AJ	4	K01901 Hex Hd. Bolt 3/8"-16 x 3/4"
AK	1	K91951 Hydraulic Hose
AM	1	Q10850-01 Breather Vent
AN	2	Q10037-72 Socket Hd. Cap Screw #10-32
AP	1	N21739 Short Stroke Hydraulic Cylinder
AR	1	N21742 Cylinder Mounting Bracket
AS	2	K65235-22 Flat Washer #10
AT	2	K50866 Lockwasher #10
AU	2	K22733 Hex Nut #10-32



TI3896

FIG. 16

## EXTENSION BOX WITH OPTIONAL POWER CARRIAGE

A-3FM5A

A-3FM5A.max

PANZITTA SALES & SERVICE

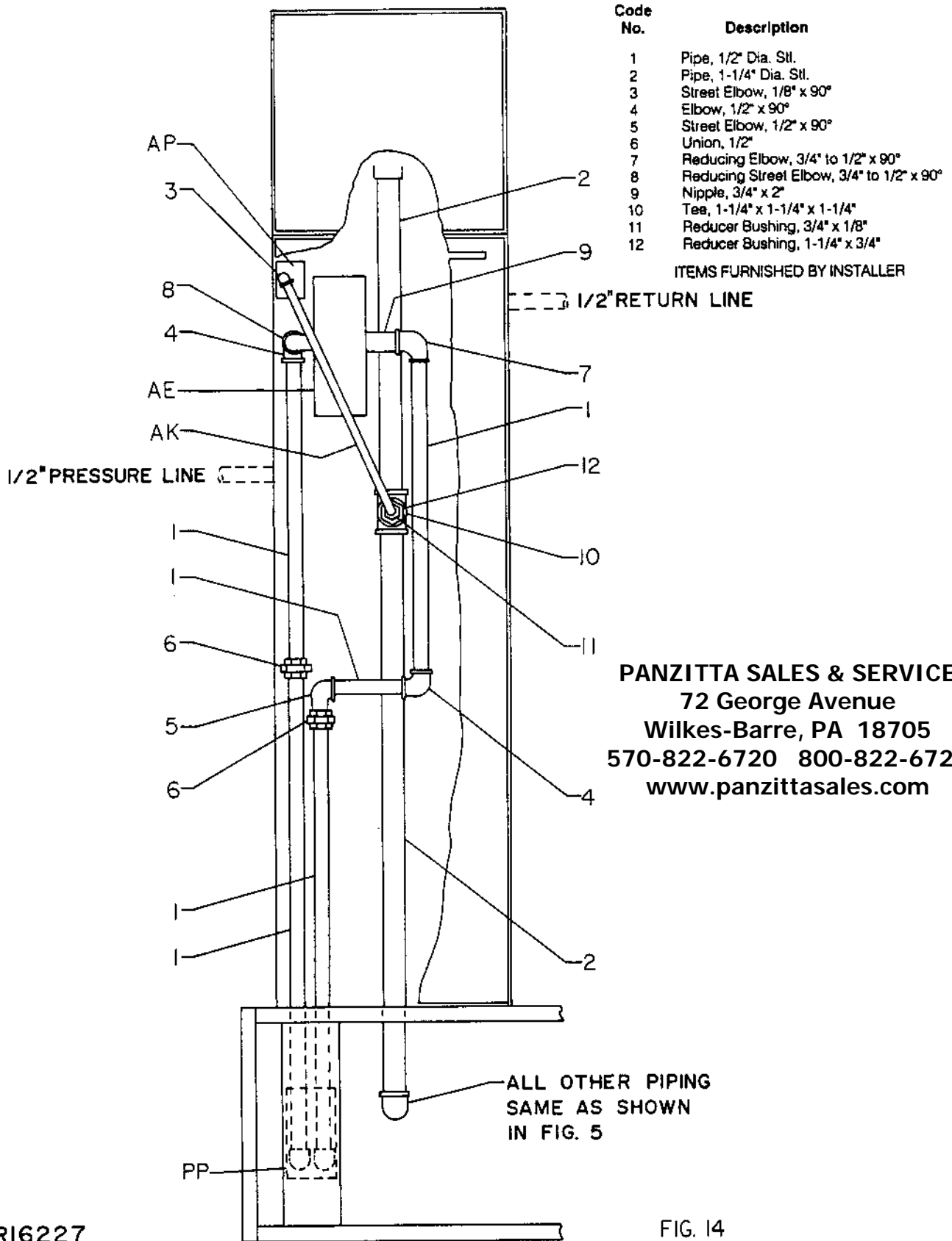
72 George Avenue

Wilkes-Barre, PA 18705

570-822-6720 800-822-6720

www.panzittasales.com

When ordering replacement parts, always mention lift model number and serial number.



Code No.	Description
1	Pipe, 1/2" Dia. Stl.
2	Pipe, 1-1/4" Dia. Stl.
3	Street Elbow, 1/8" x 90°
4	Elbow, 1/2" x 90°
5	Street Elbow, 1/2" x 90°
6	Union, 1/2"
7	Reducing Elbow, 3/4" to 1/2" x 90°
8	Reducing Street Elbow, 3/4" to 1/2" x 90°
9	Nipple, 3/4" x 2"
10	Tee, 1-1/4" x 1-1/4" x 1-1/4"
11	Reducer Bushing, 3/4" x 1/8"
12	Reducer Bushing, 1-1/4" x 3/4"

ITEMS FURNISHED BY INSTALLER

**PANZITTA SALES & SERVICE**  
 72 George Avenue  
 Wilkes-Barre, PA 18705  
 570-822-6720 800-822-6720  
[www.panzittasales.com](http://www.panzittasales.com)

RI6227

FIG. 14

## PIPING FOR OPTIONAL POWER CARRIAGE

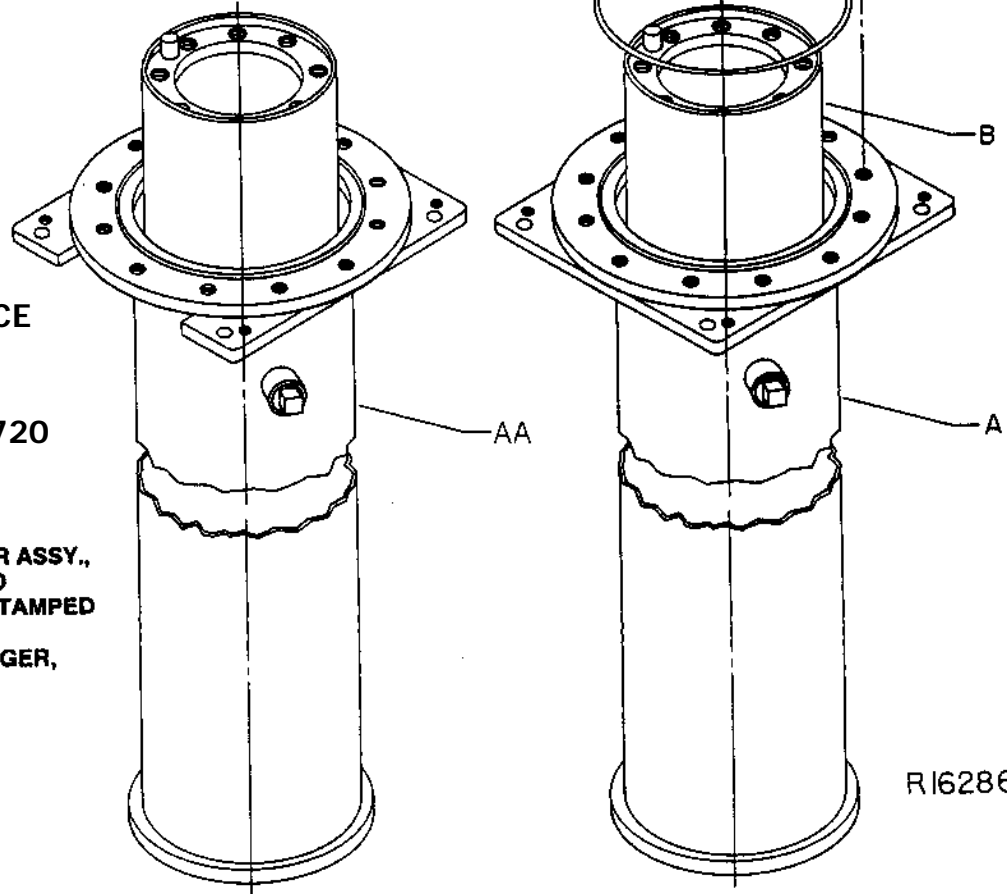
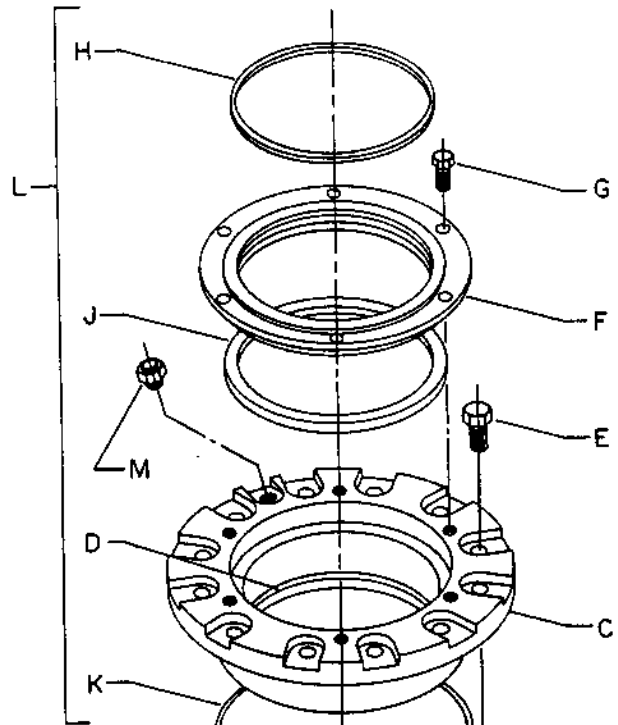
A-3FM5A

A-3FM5A.max

When ordering replacement parts, always mention lift model number and serial number.

Code No. No. Req.	Symbol No.	Description
FOR AUTO LOCK LEGS		
	1	T13944-01 Plunger & Cylinder Assembly
A	1	T13938-G1 Cylinder Assembly
B	1	T13935-G2 Plunger Assembly (See note)
C	1	T13943-02 Upper Bearing
D	1	Felt Wiper
E	12	Q10412-01 Hex Hd. Bolt 3/4"-10 x 2-1/4"
F	1	R18229-02 Wiper Retainer
G	6	K01907 Hex Hd. Bolt 7/16"-14 x 1-1/2"
H	1	Wiper
J	1	Seal
K	1	O-Ring
L	1	K34301 Seal Kit (Includes D, H, J & K)
M	1	N21812-G1 Air Vent

Code No. No. Req.	Symbol No.	Description
FOR REMOTE LOCK LEGS		
	1	T13944-02 Plunger & Cylinder Assembly
AA	1	T13938-G2 Cylinder Assembly
B	1	T13935-G2 Plunger Assembly (See note)
C	1	T13943-02 Upper Bearing
D	1	Felt Wiper
E	12	Q10412-01 Hex Hd. Bolt 3/4"-10 x 2-1/4"
F	1	R18229-02 Wiper Retainer
G	6	K01907 Hex Hd. Bolt 7/16"-14 x 1-1/2"
H	1	Wiper
J	1	Seal
K	1	O-Ring
L	1	K34301 Seal Kit (Includes D, H, J & K)
M	1	N21812-G1 Air Vent



R16286

## PLUNGER AND CYLINDER ASSEMBLY (FRONT)

**PANZITTA SALES & SERVICE**  
 72 George Avenue  
 Wilkes-Barre, PA 18705  
 570-822-6720 800-822-6720  
 www.panzittasales.com

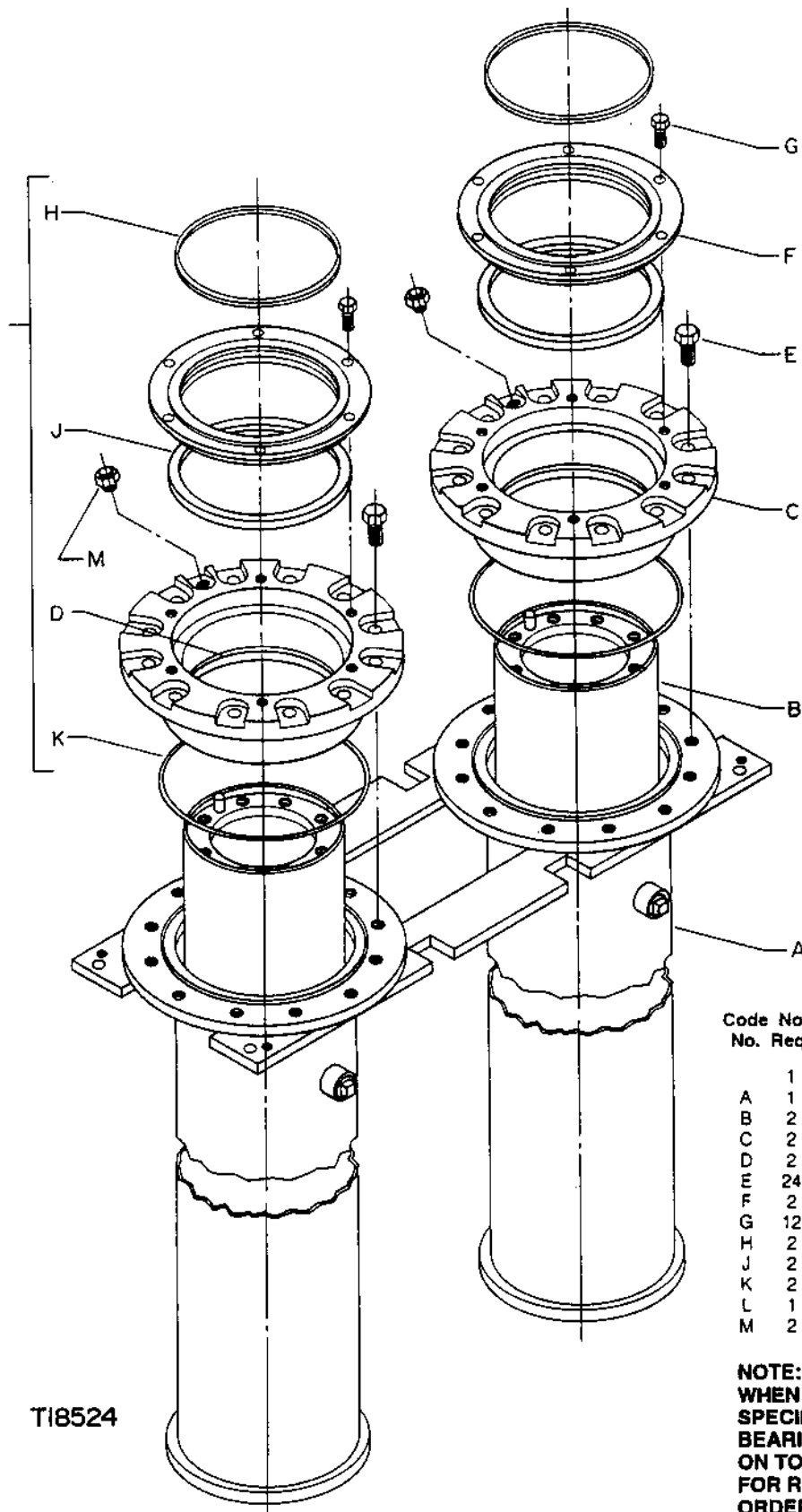
**NOTE:**  
 WHEN ORDERING PLUNGER ASSY.,  
 SPECIFY SYMBOL NO. AND  
 BEARING CODE LETTER STAMPED  
 ON TOP OF PLUNGER.  
 FOR REPLACEMENT PLUNGER,  
 ORDER KIT NO. K92936

A-3FM5A

A-3FM5A.max

When ordering replacement parts, always mention lift model number and serial number.

**PANZITTA SALES & SERVICE**  
 72 George Avenue  
 Wilkes-Barre, PA 18705  
 570-822-6720 800-822-6720  
 www.panzittasales.com



Code No	No. Req.	Symbol No.	Description
	1	T14000-G1	Dual Plunger & Cylinder Assembly
A	1	T13999-G1	Dual Cylinder Assembly
B	2	T13935-G1	Plunger Assembly (See note)
C	2	T13943-02	Upper Bearing
D	2		Felt Wiper
E	24	Q10412-01	Hex Hd. Bolt 3/4"-10 x 2-1/4"
F	2	R18229-02	Wiper Retainer
G	12	K01907	Hex Hd. Bolt 7/16"-14 x 1-1/2"
H	2		Wiper
J	2		Seal
K	2		O-Ring
L	1	K34301	Seal Kit (includes D,H,J & K)
M	2	N21812-G1	Air Vent

**NOTE:**  
 WHEN ORDERING PLUNGER ASSY.,  
 SPECIFY SYMBOL NO. AND  
 BEARING CODE LETTER STAMPED  
 ON TOP OF PLUNGER.  
 FOR REPLACEMENT PLUNGER,  
 ORDER KIT NO. K92935

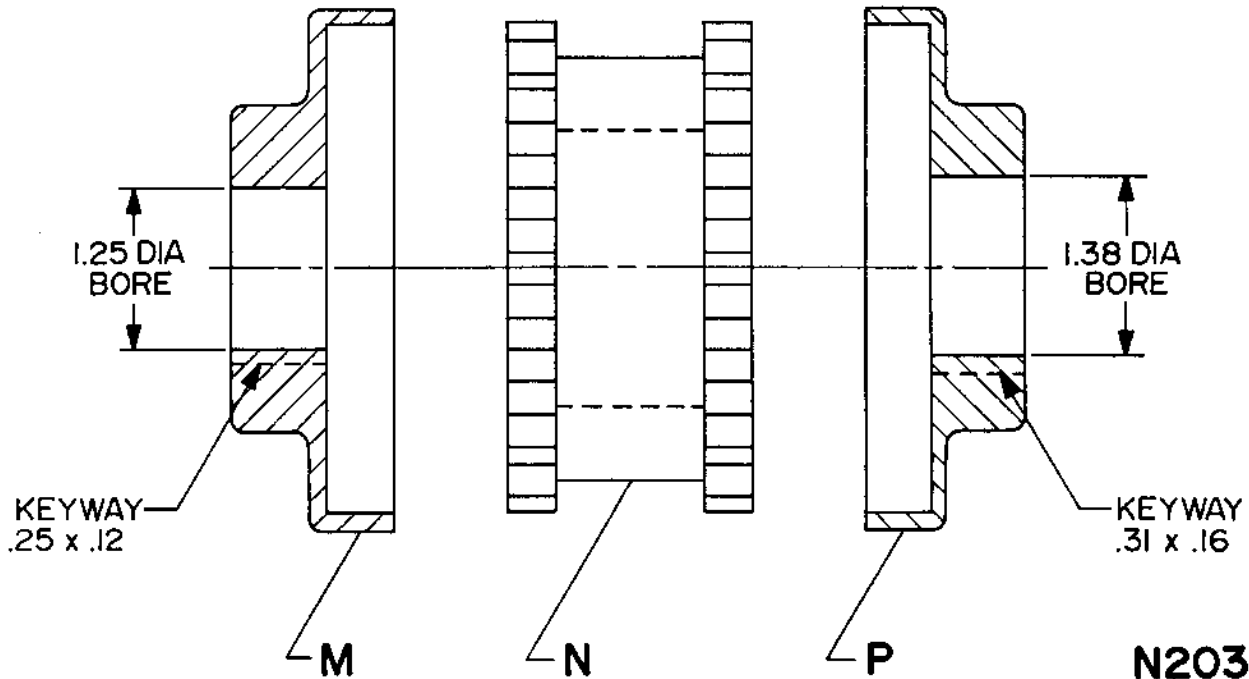
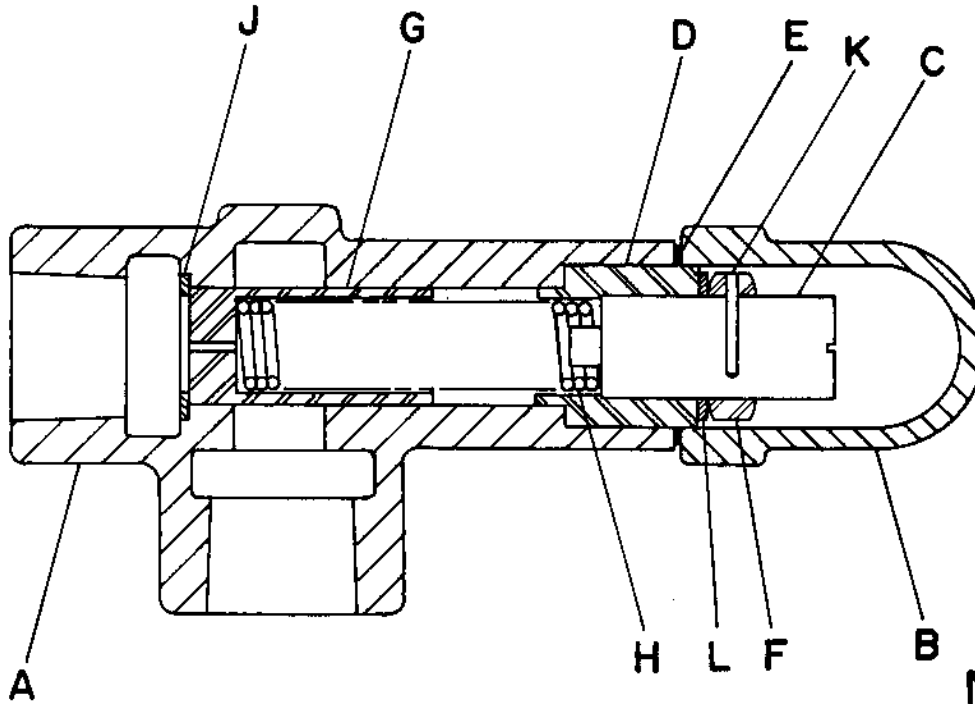
## PLUNGER AND CYLINDER ASSEMBLY (REAR)

A-3FM5A

A-3FM5A.max

When ordering replacement parts, always mention lift model number and serial number.

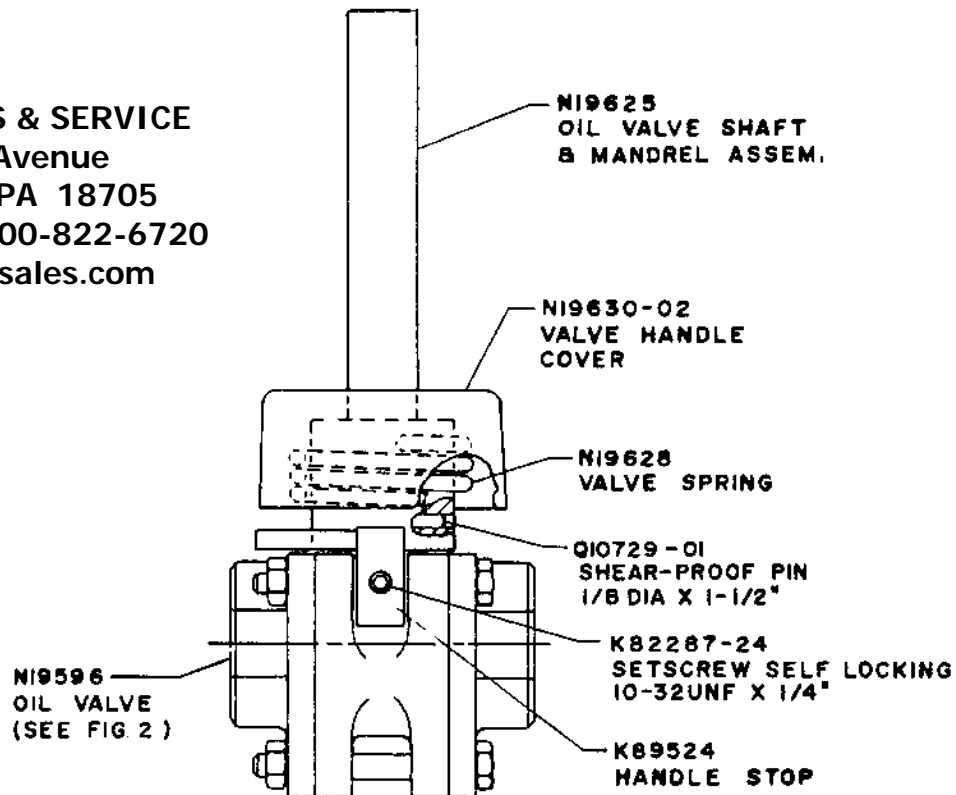
Code No. No. Req.	Symbol No.	Description	Code No. No. Req.	Symbol No.	Description
A 1	N20302-02	Body	H 1	N20302-12	Spring
B 1	N20302-03	Cap	J 1	N20302-10	Stop Ring
C 1	N20302-04	Adjusting Screw	K 1	K48864	Groove Pin
D 1	N20302-05	Retainer	L 1	N16599-72	Flat Washer
E 1	N20302-06	Gasket	M 1	N20382-03	Flange 1-1/4" Bore
F 1	N20302-07	Locknut	N 1	N20382-02	Sleeve
G 1	N20302-08	Piston	P 1	N20382-04	Flange 1-3/8" Bore



**RELIEF VALVE AND COUPLING**

When ordering replacement parts, always mention lift model number and serial number.

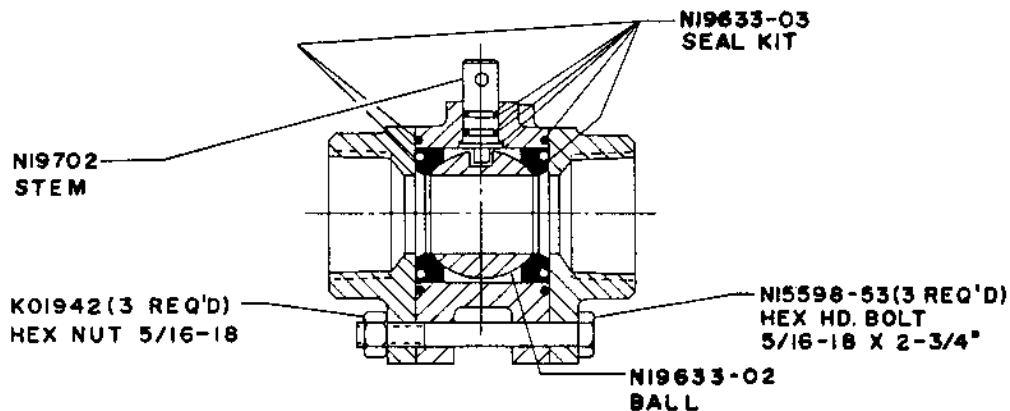
PANZITTA SALES & SERVICE  
72 George Avenue  
Wilkes-Barre, PA 18705  
570-822-6720 800-822-6720  
www.panzittasales.com



FLOOR CONTROL  
COMPLETE OIL VALVE  
ASSEMBLY NI4467

FIG. 1

NOTE: THE OIL VALVE REPAIR KIT K34124 IS TO CHANGE METHOD OF ASSEMBLING VALVE STEM & MANDREL FROM SETSCREW TO SHEAR-PROOF PIN. (NOTE: FOR VALVE STEMS & MANDRELS WHICH ARE ALREADY PINNED, ORDER INDIVIDUAL PARTS AS NEEDED).



REPLACEMENT PARTS FOR OIL VALVE NI9596

FIG. 2

N20339

## OIL VALVE IN CONTROL BOX

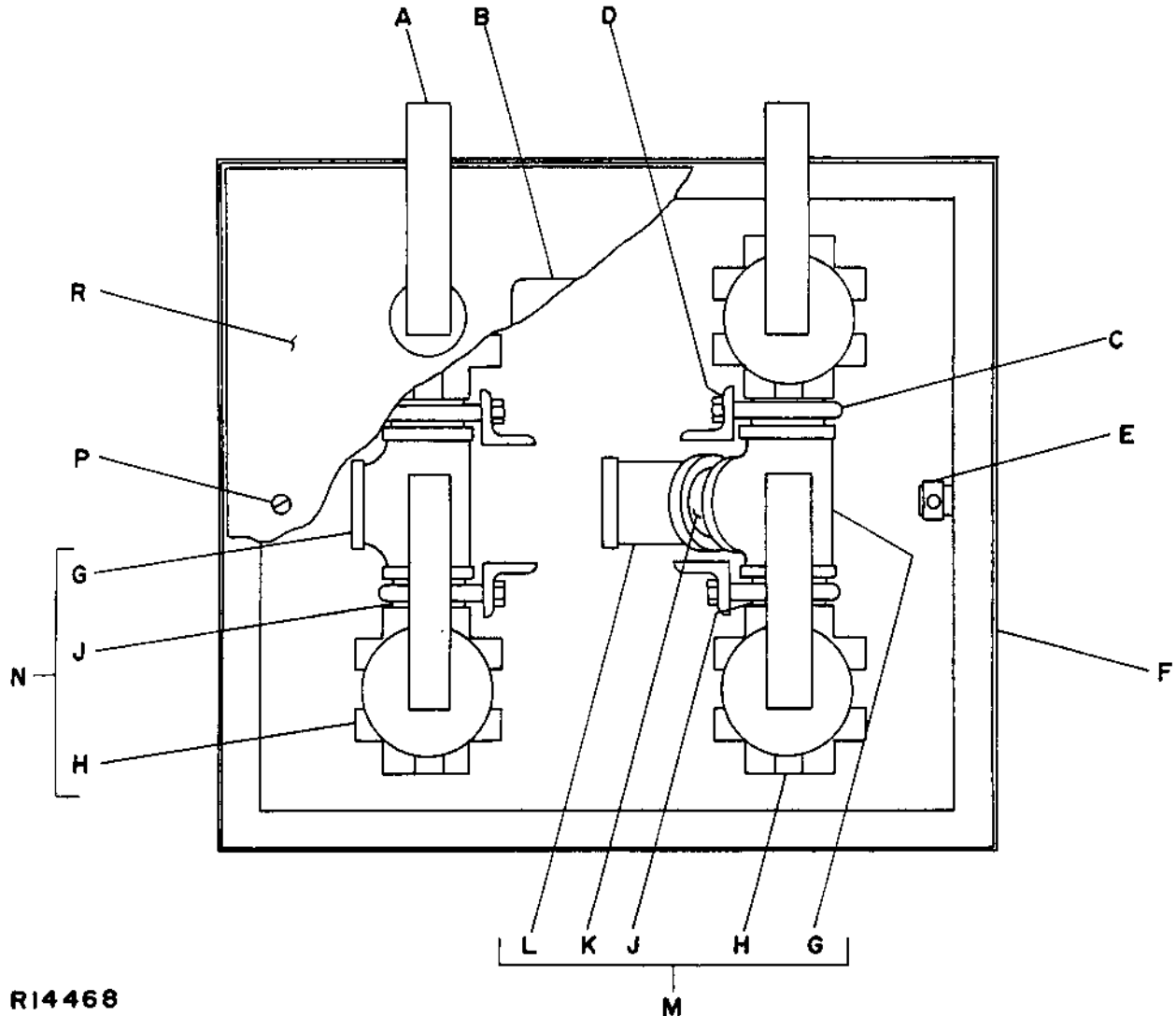
A-3FM5A

A-3FM5A.max

When ordering replacement parts, always mention lift model number and serial number.

Code No. No. Req.	Symbol No.	Description	Code No. No. Req.	Symbol No.	Description
A	4	N19602	V	1	K03478
B	1	N21383	W	1	K88349-03
C	4	K58558	X	1	K05287
D	17	K01941	Y	8	Q10412-05
E	2	K81038-24	Z	9	K43948
F	1	T09511	AA	1	N21369-01
F	1	T09511-01	BB	1	R14601
G	2	K02309A01	CC	1	N21365
H	4	R14467	DD	1	N21366
J	4	R11494-51	FF	1	N21370
K	1	R11494-20	JJ	1	N21361
L	1	K03608-24	KK	1	R14604
M	1	R13500	LL	2	K90174
			MM	4	K50775
N	1	R13499	NN	4	K01902
			PP	2	K90173
P	2	K11061	RR	2	N21367
R	1	R14465	SS	4	K02204
S	2	K03481	TT	4	Q10218-06
T	2	K08441			
U	1	K02332			

## SEE PAGES 8 & 10 FOR CONTROL BOX LOCATION



R14468

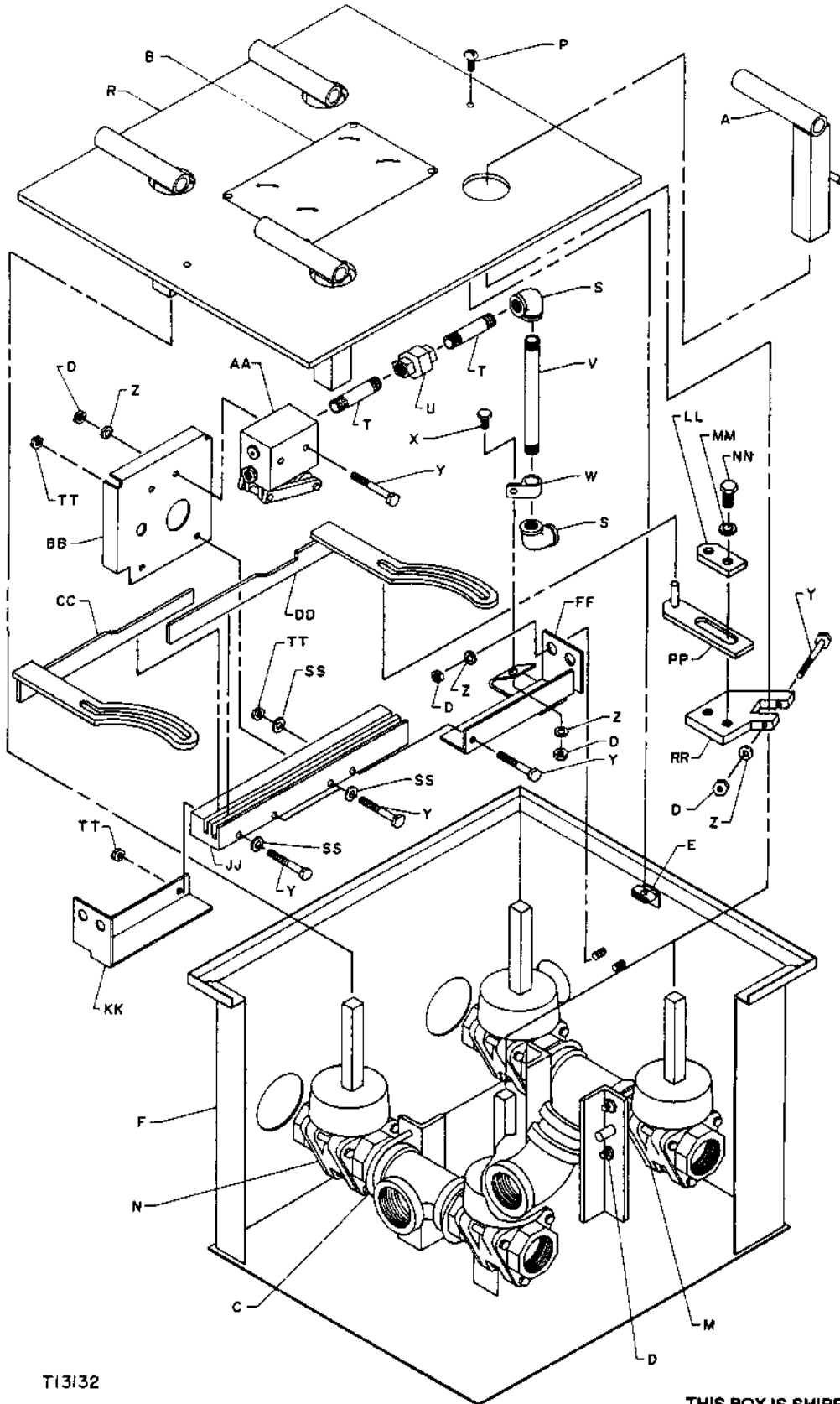
## CONTROL BOX ASSEMBLY (AUTOMATIC LOCK LEG)

A-3FM5A

A-3FM5A.max

**PANZITTA SALES & SERVICE**  
 72 George Avenue  
 Wilkes-Barre, PA 18705  
 570-822-6720 800-822-6720  
 www.panzittasales.com

When ordering replacement parts, always mention lilt model number and serial number.



T13132

THIS BOX IS SHIPPED ASSEMBLED.

## CONTROL BOX ASSEMBLY (OPTIONAL REMOTE CONTROL LOCK LEG)

A-3FM5A

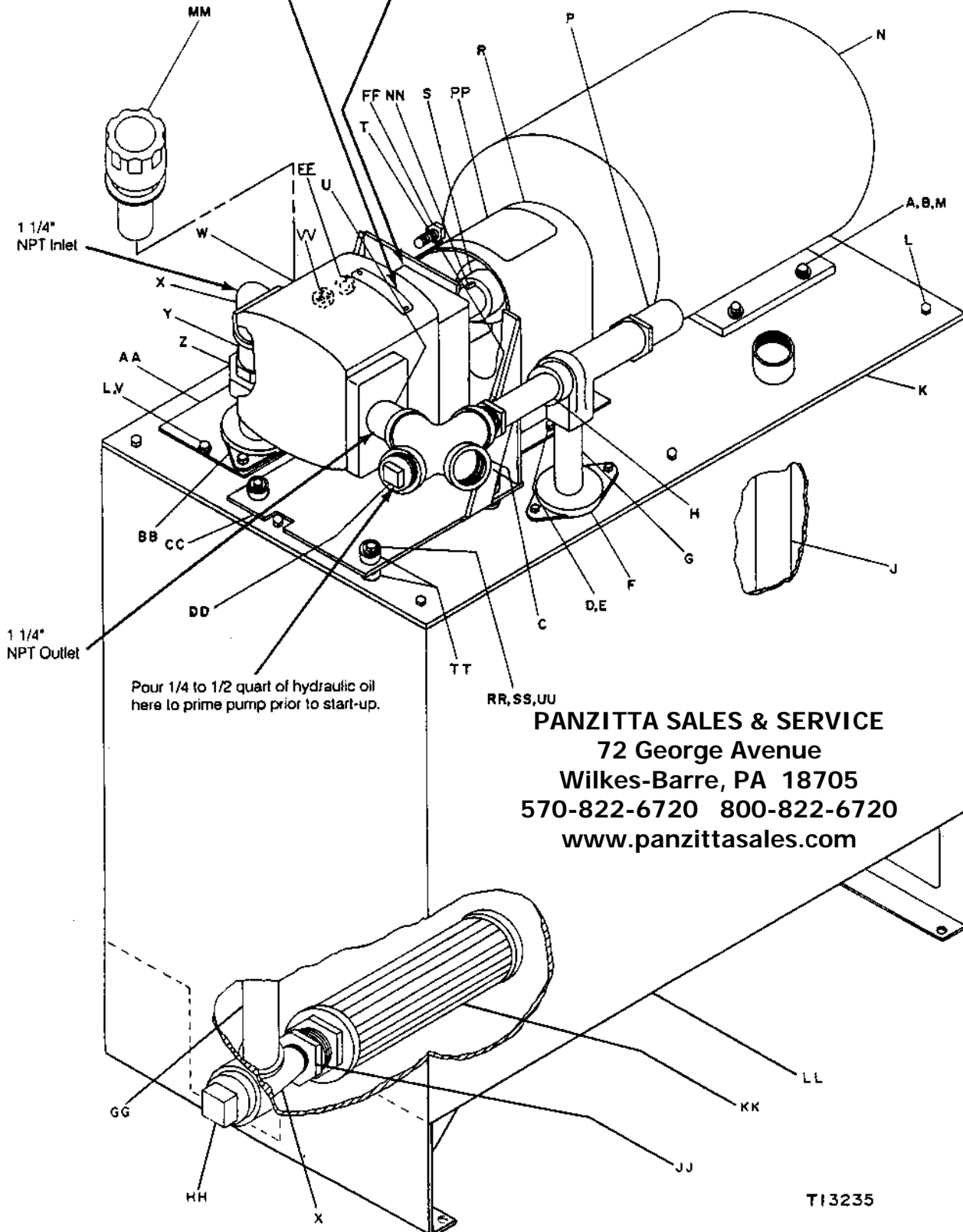
A-3FM5A.max

**NOTE**

Pump **MUST** be mounted with name tag up.

**CAUTION**

Pump rotation **MUST** be clockwise when facing pump from shaft end. Pump and motor shafts must be aligned within .03 inches.



**ELECTRIC OIL POWER UNIT FOR MODELS E 01 AND E 03 (WITH COMMERCIAL SHEARING PUMP)**

A-3FM5A

A-3FM5A.max

**PANZITTA SALES & SERVICE**  
**72 George Avenue**  
**Wilkes-Barre, PA 18705**  
**570-822-6720 800-822-6720**  
**www.panzittasales.com**

When ordering replacement parts, always mention lilt model number and serial number.

<b>Code No.</b>	<b>No. Req.</b>	<b>Symbol No.</b>	<b>Description</b>
A	4	K01903	Hex Hd. Bolt 3/8-16 x 1-1/4"
B	4	K50775	Lockwasher 3/8"
C	1	K06776-01	Cross 1-1/4"
D	2	K05287	Hex Hd. Bolt 1/4-20 x 1/2"
E	2	K50773	Lockwasher 1/4"
F	1	N21737-01	Suction Flange
G	1	K89450	Relief Pipe 1"
H	1	K02984	Nipple 1" x 3"
J	1	K89451	Return Pipe 1-1/4"
K	1	R14504-03	Tank Cover (170 Gal.)
L	10	K60521-24	Hex Hd. Self Tapping Screw #14 x 5/8"
M	4	K02206	Flat Washer 3/8"
N	1	T08833-84	Motor 7-1/2 HP, 208-230/460V, 60 HZ, 3 PH
N	1	T08833-83	Motor 7-1/2 HP, 230V, 60 HZ, 1 PH
P	1	N20302-01	Relief Valve (For Replacement Parts See Page 24)
R	1	R14502	Coupling Guard
S	1	N20382-01	Coupling (For Replacement Parts, See Page 24)
T	1	Q10837-10	Hex Reducing Bushing 1-1/4" to 1"
U	1	R11494-34	Nipple 1-1/4" x 2-3/4"
V	2	K66871	Flat Washer
W	1	K89445	Gear Pump
X	2	K62381	Street Elbow 1-1/4" x 90°
Y	1	R11494-25	Nipple 1-1/4" x 2"
Z	1	K12176	Union 1-1/4"
AA	1	N20344	Filter Cover
BB	1	N21737-02	Suction Flange
CC	1	D-1190-00	Pump Mounting Bracket
DD	1	K02309C02	Pipe Plug 1-1/4"
EE	4	K02455	Lockwasher 1/2"
FF	4	B-101-376	Hex Hd. Bolt 1/2-13 x 1-3/4"
GG	1	R11532-73	Suction Pipe 1-1/4" x 31"
HH	1	K02266	Pipe Plug 2"
JJ	1	K61580	Hex Reducing Bushing 2" to 1-1/4"
KK	1	K89036	Suction Element
LL	1	T11927-03	Tank (170 Gal.)
MM	1	N20383	Air Breather (Twist Type)
NN	1	K89553	Pump Step Key
PP	1	K95022	Decal
RR	4	K03239	Hex Hd. Bolt 5/16"-18 x 1-1/2"
SS	4	K83676	Spacer
TT	8	K83674	Rubber Mount
UU	4	N16599-35	Washer.
VV	4	K01945	Hex. Nut 1/2"-13
WW	1	N23012	Pump Mount Kit, Includes Items: W, CC, EE, FF, NN, RR, SS, TT, UU, VV

A-3FM5A.max